

Econic - Office Chair

design by Drisag





Work pleasure by Drisag

Econic

design by Drisag

Product description

In a world where adaptability is becoming an ever-increasing asset, our Drisag design team developed an office chair which fits any user or working environment. Drisag focus on disassembly, replaceability and reusability. This without sacrificing any comfort. The design of the j-bar is so versatile that new designs can emerge for many years to come.

Technical information

- Backrest: Powdercoated black metal frame.
 1. low
 2. medium
 3. high
 4. high with necksupport



1.



2.



3.



4.

- Backrest upholstery: Polyester
- Backrest cover: Upholstered replaceable cover
- J-bar: Plyamide, with integrated lumbar support adjustment system and Drisag lable doming sticker
- Lumbar support: Height adjustable, polyamide base with PU foam and upholstery

www.drisag.be — welcome@drisag.be

Experience Center & Production - Diamantstraat 8 - 2200 Herentals - Belgium — + 32 (0) 14 23 11 11

Experience Center - Krommebeekpark 22 - 8800 Roeselare - Belgium — + 32 (0) 51 67 13 09

Econic

design by Drisag

Technical information

- Armrests: 3D adjustable (height, width and depth)
360 ° rotatable textured PU arm pads
 1. straight (black polyamide)
 2. angled (black polyamide)
 3. no armrests



- Seat: Upholstered PU foam, adjustable seat depth
- Mechanism:
 1. synchro multi tilt mechanism, manual tension adjustment
 2. weight-activated synchro multi tilt mechanism
 3. weight-activated synchro multi tilt mechanism, integrated levers



- Gas spring: Stepless seat height adjustment, with suspension in the lowest position, safety gas spring with top control.
 1. Gas spring
 2. High gas spring
 3. Extra high gas spring with ALU footrest



- Base:
 1. Ø 670mm, black polyamide
 2. Ø 670mm, ALU



- Castors:
 - 60mm, hard
 - 60mm, soft

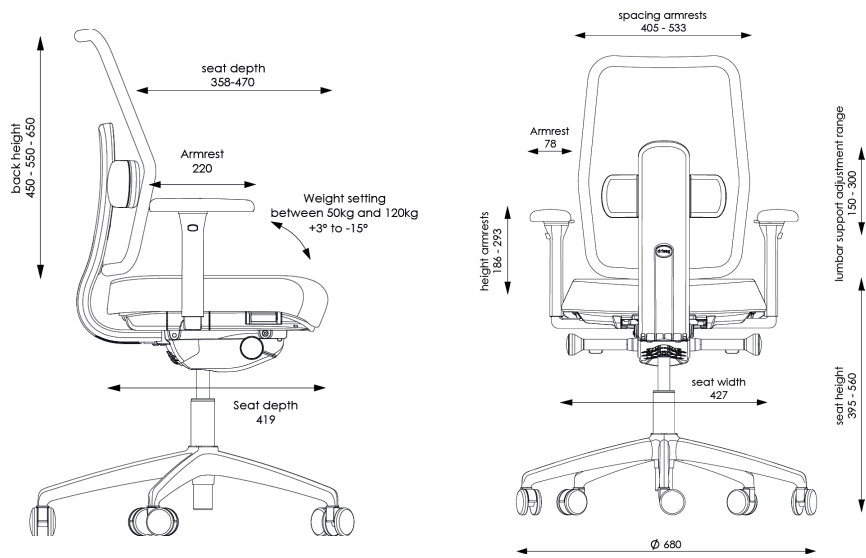
Econic

design by drisag

Fabrics

Available in all Drisag fabric groups.

Dimensions



Pictures



Econic

design by drisag

Pictures



Econic

design by drisag

QR code

Each Econic comes with a QR code on the bottom of the seat. This way, every user has all the information about this ergonomic office chair within reach. When you scan the QR code, you will be redirected to a webpage specifically designed for this office chair. Here you can find all the information, such as an instruction film and manual about ergonomic seating.

