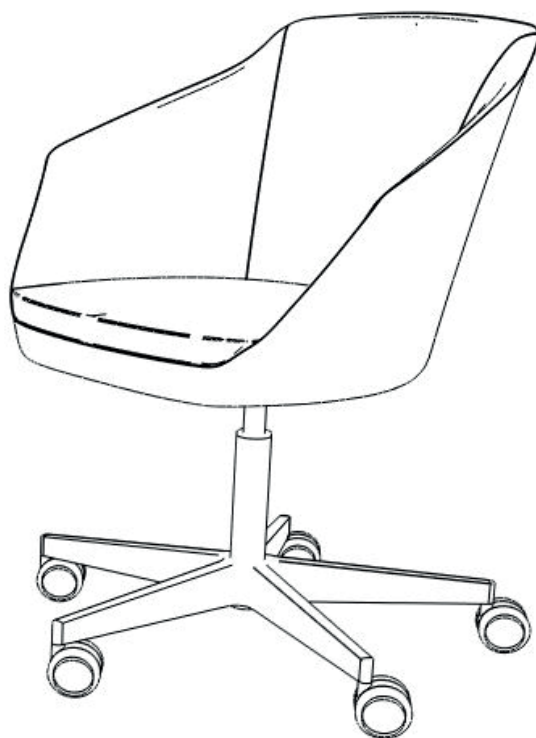


Charlie CH51

design by Drisag





Work pleasure by Drisag

Charlie CH51

design by Drisag

Product description

We extended the Charlie Chair family by creating a versatile version with a swivel base on castors. The seating height is adjustable and tilts for a more active sitting position.

Technical information

- Castors: 50mm, hard/soft or glides.
- Base: powdercoated or chrome
- Mechanisms: height-adjustable tilt mechanism, not lockable.
- Seat: upholstery

Fabrics

Available in all Drisag fabric groups.

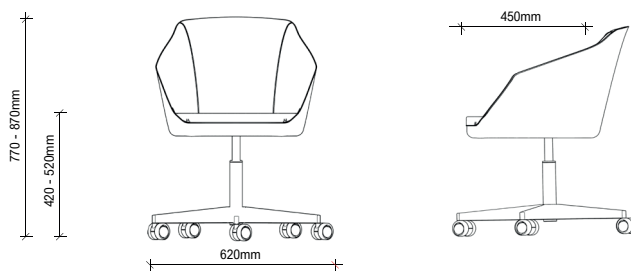
Metal colors

- | | | |
|---|---|---|
|  K40 - black RAL9005 |  K53 - grey blue |  K50 - rusty brown |
|  K41 - white RAL9010 |  K57 - pale green |  K54 - beige red |
|  K58 - dark grey RAL7016 |  K52 - cement grey |  K55 - coral red |
|  K51 - squirrel grey |  K56 - black green | |

Charlie CH51

design by Drisag

Dimensions



Pictures



Charlie CH51

design by Drisag

Pictures

