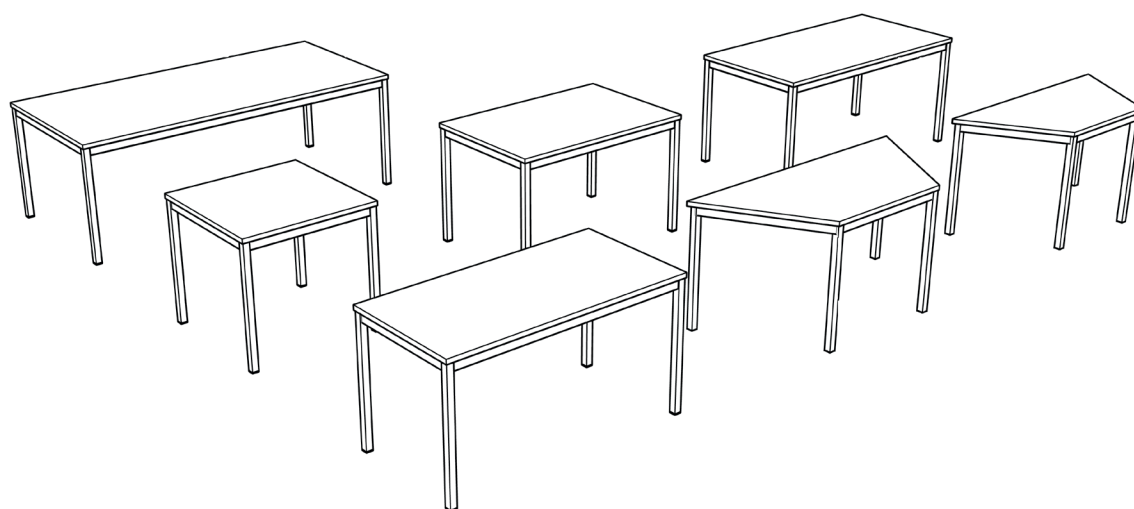


Project table

design by Drisag





Work pleasure by Drisag

Project table

design by Drisag

Product description

Project table is a series of basic desks and meeting tables. A lacquered steel frame in various shapes and sizes combined with basic square tube legs and tabletops result in a wide range of products.

Tabletop colors

	White		U608 - Pistachio green		H3433/ST22 - Aland pine
	U702 - Cashmere grey		U636 - Fjord green		Fenix black
	U201 - Pebble grey		H3133/ST12 Davos oak		
	U767 - Cubanite grey		H1180/ST37 - Halifax oak		

Metal colors

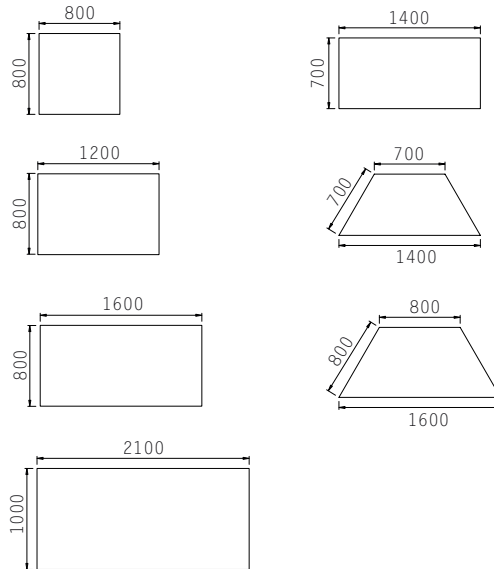
	K40 - black RAL9005		K53 - grey blue		K50 - rusty brown
	K41 - white RAL9010		K57 - pale green		K54 - beige red
	K58 - dark grey RAL7016		K52 - cement grey		K55 - coral red
	K51 - squirrel grey		K56 - black green		

Project table

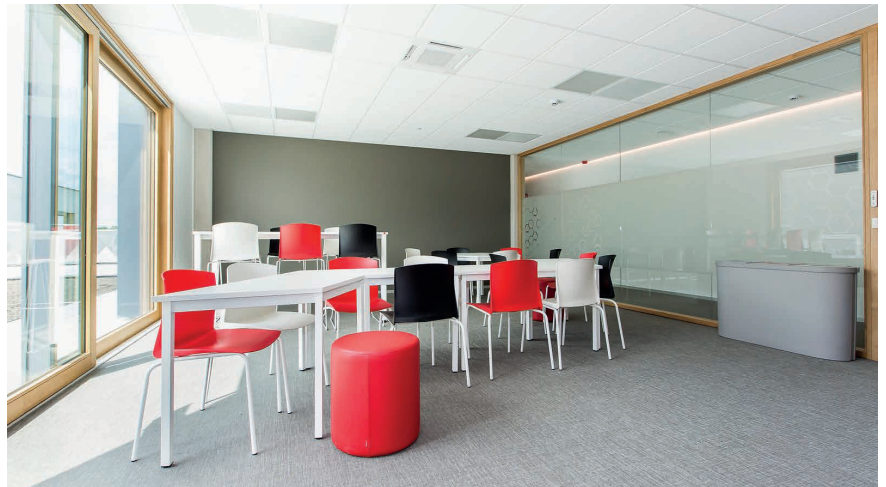
design by Drisag

Dimensions

Height: 740mm



Pictures



Project table

design by Drisag

Pictures

