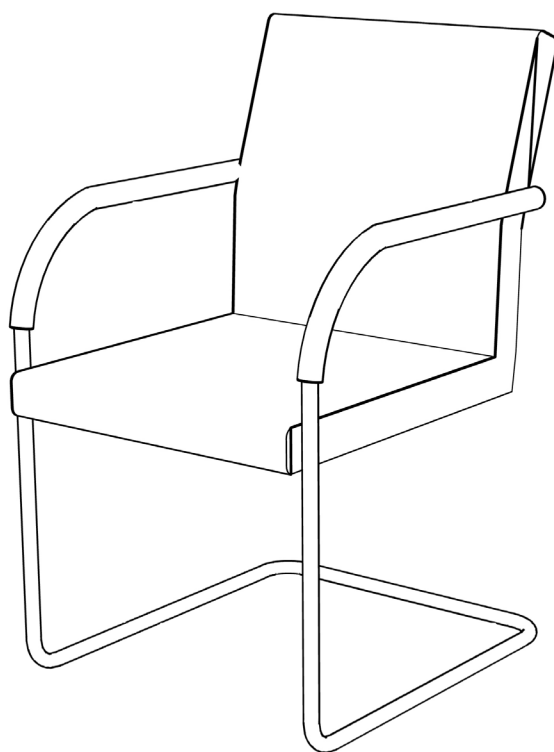


Club CL33

design by Drisag





Work pleasure by Drisag

Club CL33

design by Drisag

Product description

Whatever you are looking for in a chair, our Club has it all! From project chair to waiting bench to bar stool, we offer a range of bases that can be powder coated in many different colors. You can choose from an upholstered seat, an HPL seat or a combination of both, everything is possible!

Technical information

- Base: cantilever base, 25mm steel tube on glides, chromed
- Armrests: soft grip

Fabrics

Available in all Drisag fabric groups.

Metal colors

 K40 - black RAL9005	 K53 - grey blue	 K50 - rusty brown
 K41 - white RAL9010	 K57 - pale green	 K54 - beige red
 K58 - dark grey RAL7016	 K52 - cement grey	 K55 - coral red
 K51 - squirrel grey	 K56 - black green	 chrome

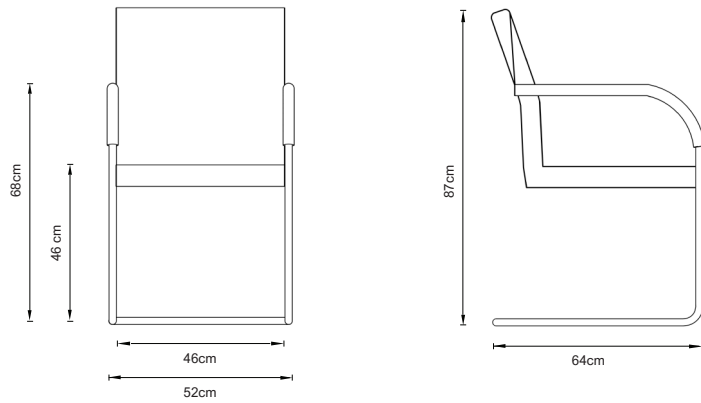
Options

Bi-color

Club CL33

design by Drisag

Dimensions



Pictures

