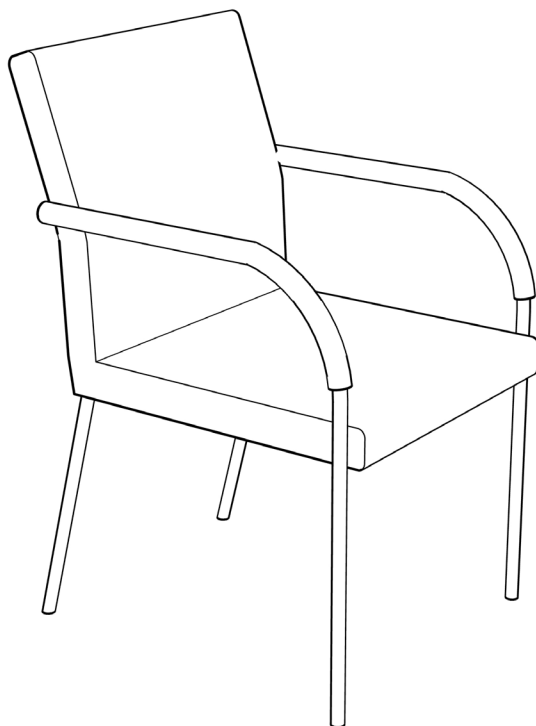


Club CL32

design by Drisag





Work pleasure by Drisag

Club CL32

design by Drisag

Product description

Whatever you are looking for in a chair, our Club has it all! From project chair to waiting bench to bar stool, we offer a range of bases that can be powder coated in many different colors. You can choose from an upholstered seat, an HPL seat or a combination of both, everything is possible!

Technical information

- Base: 4 legs, 25mm steel tube on glides, chromed
- Armrests: soft grip

Fabrics

Available in all Drisag fabric groups.

Metal colors

- | | | |
|---|---|---|
|  K40 - black RAL9005 |  K53 - grey blue |  K50 - rusty brown |
|  K41 - white RAL9010 |  K57 - pale green |  K54 - beige red |
|  K58 - dark grey RAL7016 |  K52 - cement grey |  K55 - coral red |
|  K51 - squirrel grey |  K56 - black green |  chrome |

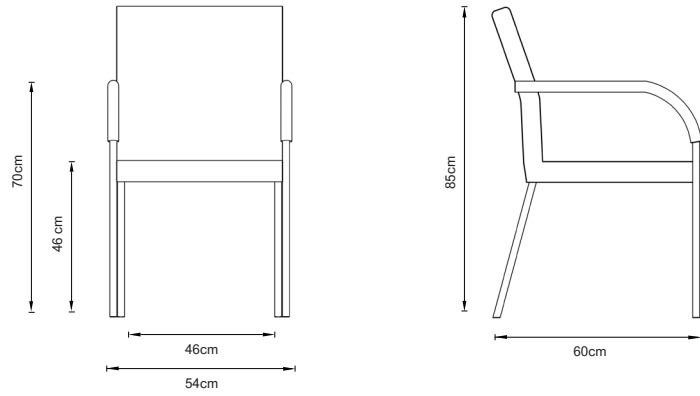
Options

Bi-color

Club CL32

design by Drisag

Dimensions



Pictures

