

Smart Netweave

design by Drisag





Work pleasure by Drisag

Smart Netweave

design by Drisag

Product description

Smart design. This office chair offers you all the comfort your body needs to be able to work pleasantly for a long period of time. It even has an active posture function. In short, a must-have in any healthy working environment. This ergonomic office chair is NPR1813-certified thanks to its flexibility and comfort.

Technical information

- Castors: 55mm, hard, black polyamide
- Base: black polyamide
- Mechanisms: synchron, adjustable active sit angle
- Seat: adjustable seat depth
- Backrest: J-bar: black
fully upholstered
two heights
- Armrests: easy replaceable
armrest supports in black polyamide
3D adjustable (height, width & depth)
360° rotating armpads in PU

Fabrics

Available in all Drisag fabric groups.

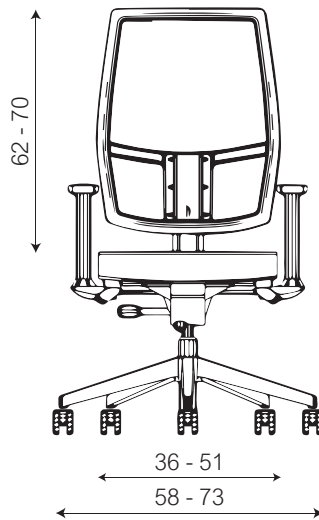
Smart Netweave

design by Drisag

Options

- Castors: soft & antistatic or glides
- Base: polished aluminium
- Backrest: J-bar chromed netweave
- Armrests: armrest supports in polished aluminium

Dimensions



Pictures



Smart Netweave

design by Drisag

Pictures

