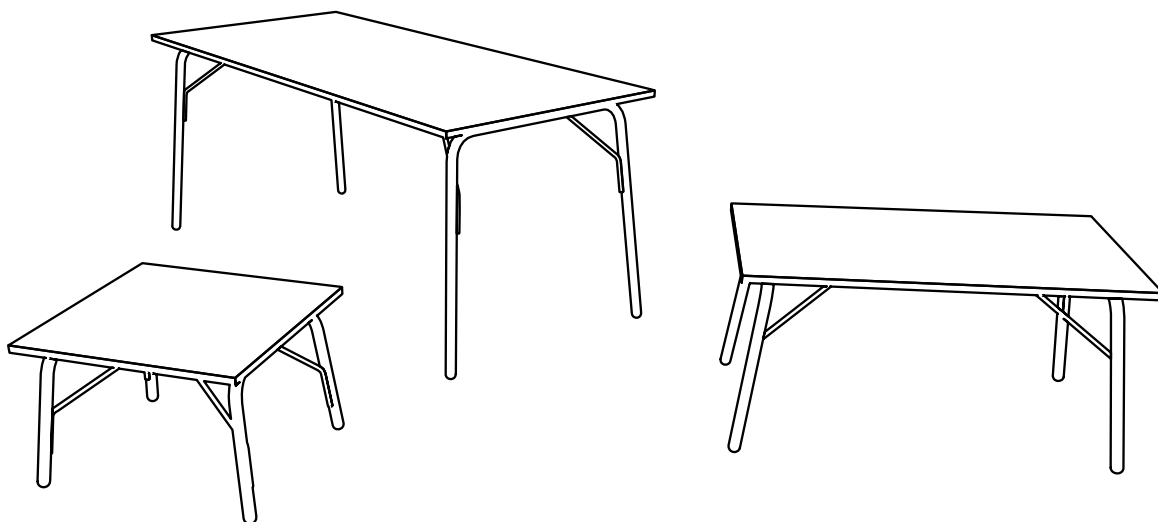


Atlas

design by Drisag



www.drisag.be — welcome@drisag.be

Experience Center & Production - Diamantstraat 8 - 2200 Herentals - Belgium — + 32 (0) 14 23 11 11

Experience Center - Krommebeekpark 22 - 8800 Roeselare - Belgium — + 32 (0) 51 67 13 09

drisag

Office Inspirators
since 1970



Work pleasure by Drisag

Atlas

design by Drisag

Product description

Slim and sturdy. The Atlas range offers you a range of high and low tables that are easy to combine within your interior.




Technical information

- **Base:** Epoxy-coated metal base. Two identical legs made from round profile 30mm and metal rod 12mm at the ends fitted with two spherical black plastic weft caps. These legs are connected by two metal profiles made of metal tube 35x35mm.
- **Table top:** Melamine tabletop 25mm

Tabletop colors

	W1000 - White		U608 - Pistachio green		U702 - Cashmere grey
	U999 - ST9 Black		U636 - Fjord green		Fenix black
	U201 - Pebble grey		H3157 - ST12 Vicenza		
	U767 - Cubanite grey		H1180/ST37 - Halifax oak		

Metal colors

	K40 - black RAL9005		K53 - grey blue		K50 - rusty brown
	K41 - white RAL9010		K57 - pale green		K54 - beige red
	K58 - dark grey RAL7016		K52 - cement grey		K55 - coral red
	K51 - squirrel grey		K56 - black green		

www.drisag.be — welcome@drisag.be

Experience Center & Production - Diamantstraat 8 - 2200 Herentals - Belgium — + 32 (0) 14 23 11 11
 Experience Center - Krommebeekpark 22 - 8800 Roeselare - Belgium — + 32 (0) 51 67 13 09

Atlas

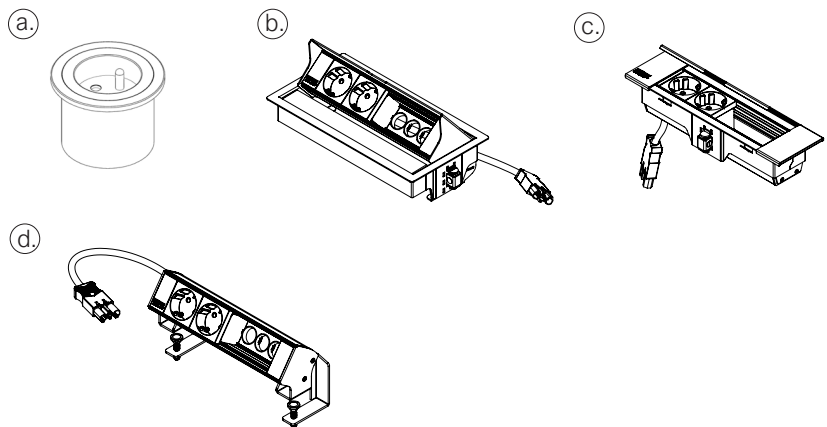
design by Drisag

Dimensions

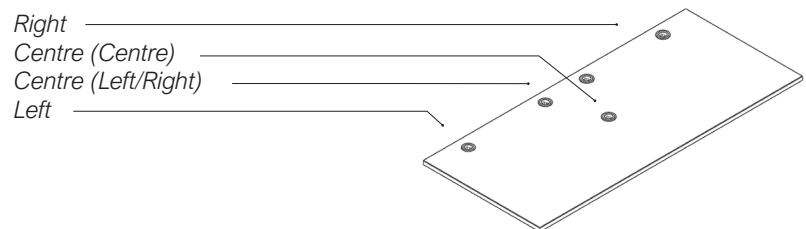
H400mm	• 600x600mm
H500mm	• 600x1000mm
H750mm:	• 800x1400mm
	• 800x1800mm

Options

- H750mm Atlas tables can be equipped with electrification. Depending on budget and need, the following options can be chosen:
 - a. Built-in unit (single)
 - b. Built-in unit, single-sided lid (with or without multiple infill)
 - c. Built-in unit, fixed (multiple infill, with or without cover)
 - d. Surface-mounted unit (multiple infill)



Positioning:



Note: if electrification must be provided, tables will automatically be fitted with cable clips.