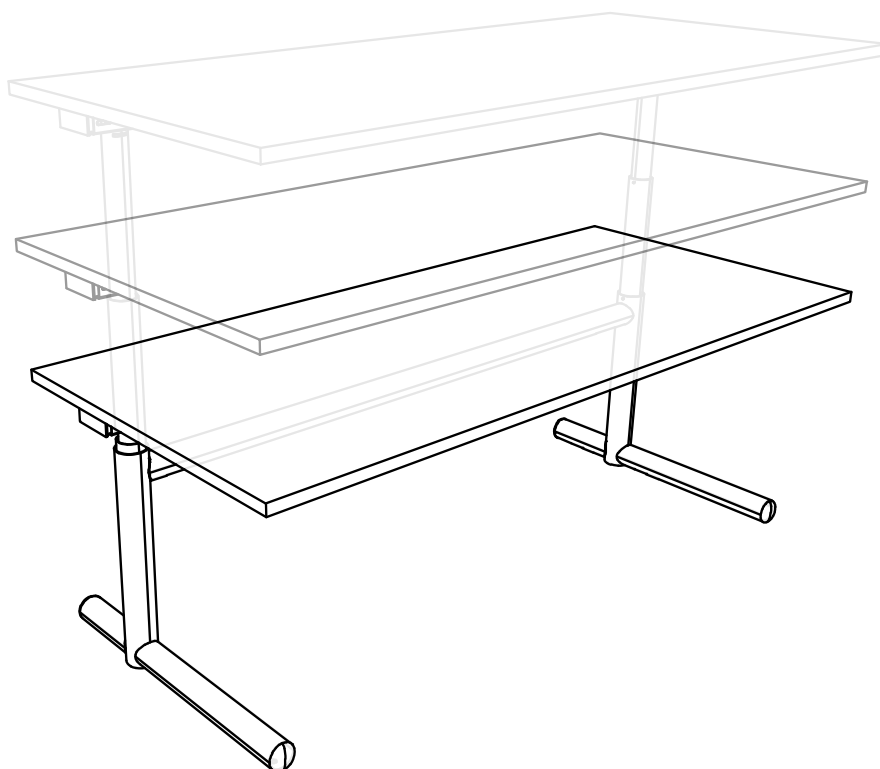


Prio sit - stand

design by Drisag



PRIO sit - stand desk

Sit, stand, stretch and lean.

Be your own active self at home or at work. Moving around and alternating between different poses prevents a lot of physical complaints. You break through your static work posture that can be very stressful and harmful in the long run. It reduces back pain, loss of concentration and neck and shoulder pain. Where you normally doze off at your desk after lunch, working in a standing position increases productivity.

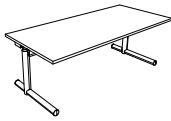




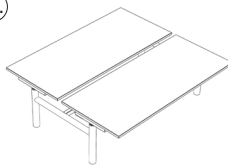
1. TYPE

- a. Solo
- b. Double
- c. Triple - Round
- d. Triple - Hollow

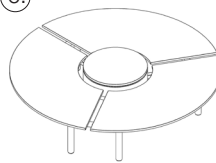
(a)



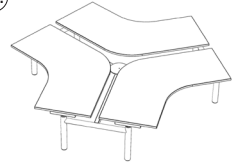
(b)



(c)



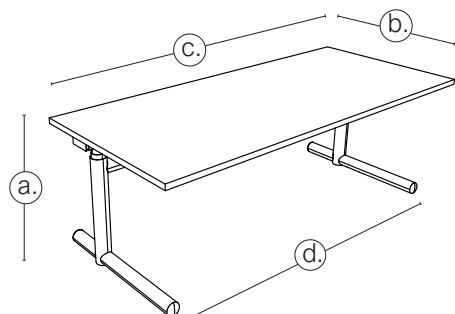
(d)



2. DIMENSIONS

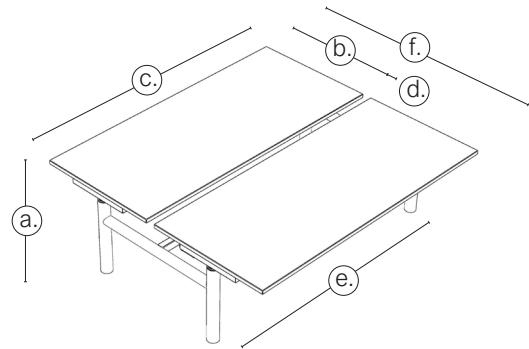
2.1. Solo (+90° Extension)

- a. Height range: 64cm - 126cm
- b. Table top depth: 70cm - 80cm - 90cm
- c. Table top length:
120cm - 140cm - 160cm - 180cm - 200cm
- d. Space between legs:
100cm - 120cm - 140cm - 160cm - 180cm



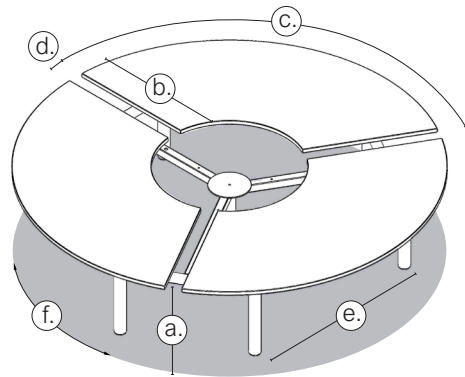
2.2. Double

- a. Height range: 64cm - 126cm
- b. Table top depth: 70cm - 80cm - 90cm
- c. Table top length:
120cm - 140cm - 160cm - 180 cm - 200cm
- d. Space between table tops: 10cm
- e. Space between legs:
100cm - 120cm - 140cm - 160cm - 180cm
- f. Total depth: 150cm - 170cm - 190cm



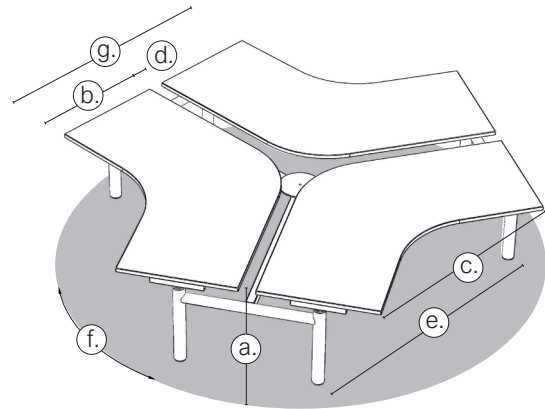
2.3. Triple - Round

- a. Height range: 64cm - 126cm
- b. Table top depth: 80cm
- c. Table top (arc)length: 250cm
- d. Space between table tops: 10cm
- e. Space between legs: 107cm
- f. ● Table diameter: 250cm



2.3. Triple - Hollow

- a. Height range: 64cm - 126cm
- b. Table top depth: 70 or 80cm
- c. Work space: 128cm or 138cm
- d. Space between table tops: 10cm
- e. Space between legs: 107cm
- f. ● Table diameter: 290cm or 300cm



For more information, please contact our helpdesk: welcome@drisag.be
Or visit our showroom. Visits by appointment only.

Experience Center & Production:
Diamantstraat 8, 2200 Herentals, +32(0)14231111
Experience Center:
Krommebeekpark 22, 8800 Roeselare, +32(0)51671309



3. METAL COLOR

The choice color includes the type of powder used to powder-coat the entire desk base. (Columns, profiles and any options)



4. TABLE TOP

All tops have a thickness of 25 mm and are available indifferent sizes.

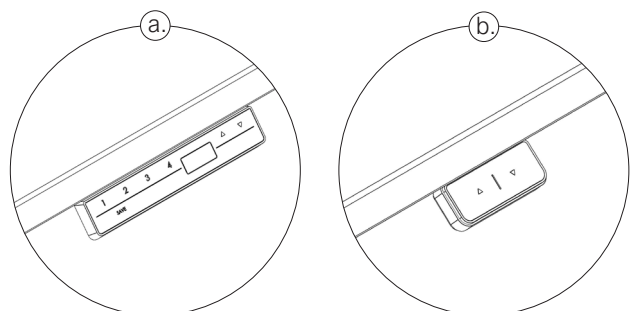


5. OPTIONS

5.1. Control

Height settings are extremely personal. Therefore, it is possible to choose a control with integrated memory (4 presets). If this is not necessary, you can also opt for a basic controller.

- a. Memory (standard)
- b. Basic (without memory)



Colors: black plastic

5.2. Cable management

Depending on the need, there are different options.
All options can be combined with each other.

- a. Cable sleeve
- b. Cable aorta (only for benches)
- c. Cable tray

Cable sleeve:

- technical fabric, black
- zipper
- 2 sizes: 70cm, 100cm

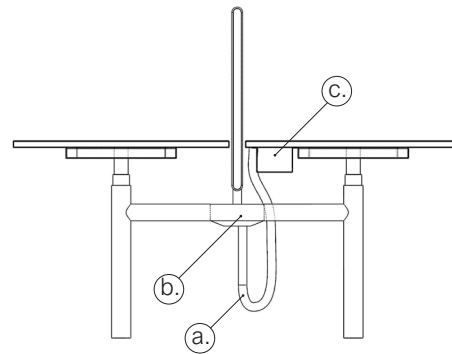
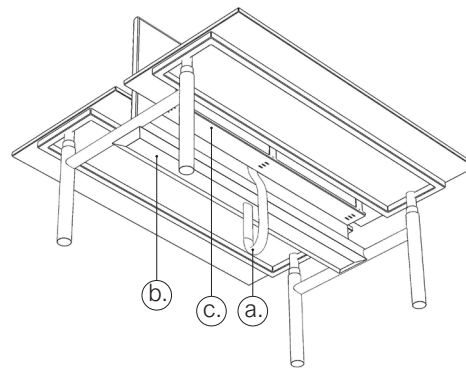
Cable aorta:

- only applicable to benches
- fitted with metal lids
- always finished in the same color as the base
- length = bridges the distance between the legs

Cable tray:

- screwed to the bottom of the table top
- powdercoat finish, Drisag metal colors
- 2 sizes: 56cm, 146cm

Note: 146cm cannot be combined with triple round & hollow



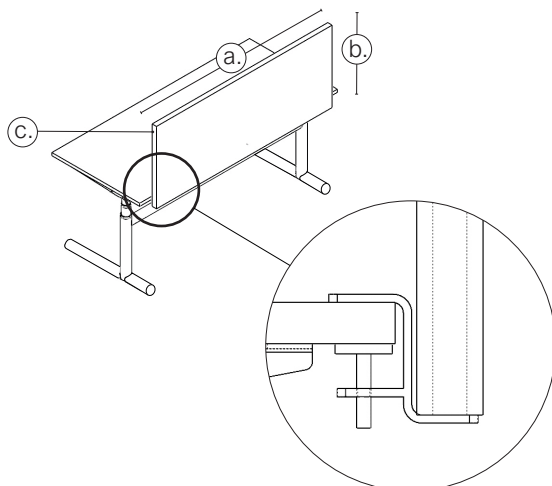
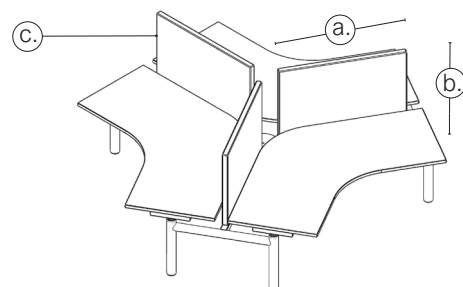
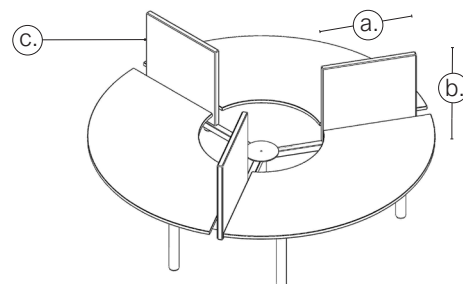
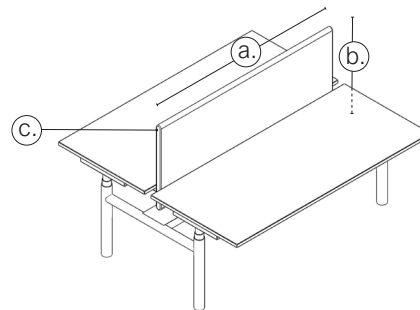
5.3. Partition screen

In addition to an acoustic advantage, a partition screen also offers extra privacy.

- a. Length: receding 10cm (in relation to the edge of the table)
- b. Height 65cm
- c. Thickness: 4cm

Fabric colors: all Drisag fabric groups.

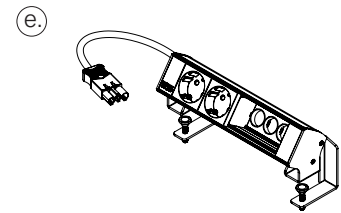
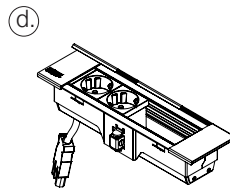
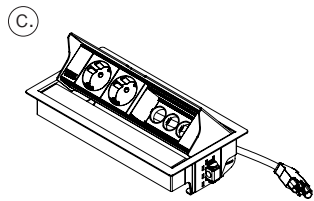
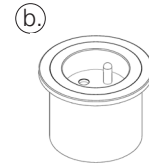
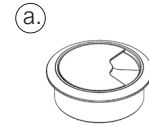
Note: for singles, 2 extra brackets are required.



5.4. Electrification

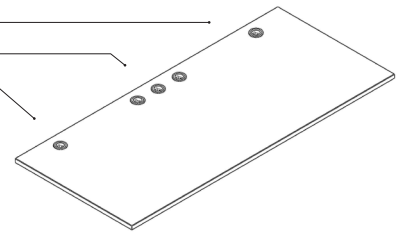
The desk can be equipped with electrification. The table top can be provided with a cable inlet (a.) so that the cables can be plugged in under the desk. other options (b. and c.) offer a simple plug&play solution.

- a. Cable inlet
- b. built-in unit (single)
- c. built-in unit, single-sided lid (with or without multiple infill)
- d. built-in unit, fixed (multiple infill, with or without cover)
- e. surface-mounted unit (multiple infill)



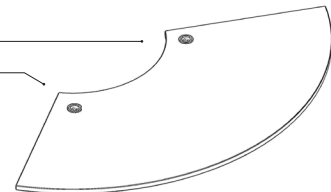
Position Solo & bench:

- Right
- Central (Center/Left/Right)
- Left



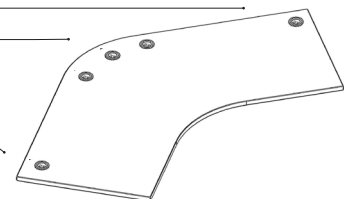
Position Triple round:

- Right
- Left



Position Triple round:

- Right
- Center (Left/Right)
- Left

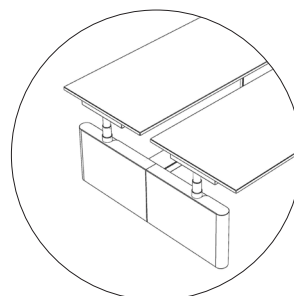


5.5. Side panels

side panels provide additional privacy and a cleaner look.

Colors: Drisag metal colors

Note: Benches only



7. IMAGES



All this information, pictures and more can be found on our web page. Scan this QR code or visit www.drisag.be/prio-zit-sta

