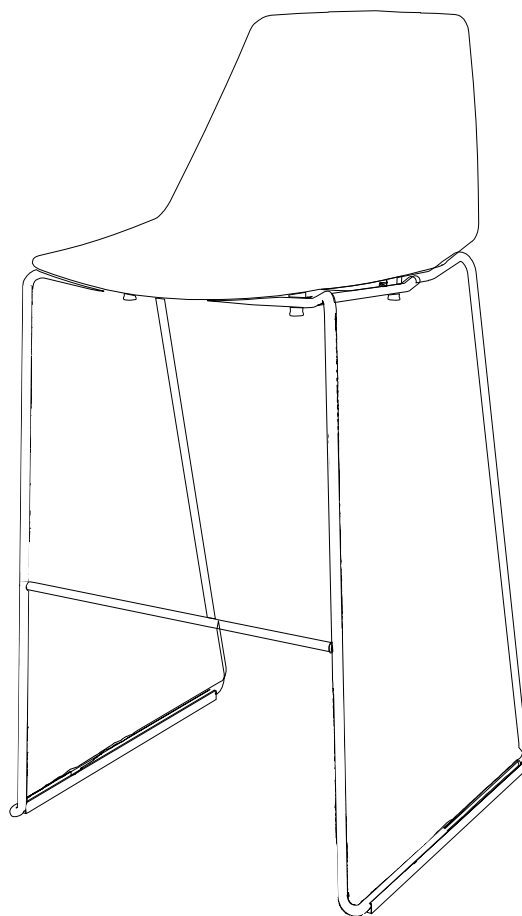


# Tomo TOBK11

design by Drisag



www.drisag.be — welcome@drisag.be  
Experience Center & Production - Diamantstraat 8 - 2200 Herentals - Belgium — + 32 (0) 14 23 11 11  
Experience Center - Krommebeekpark 22 - 8800 Roeselare - Belgium — + 32 (0) 51 67 13 09  
Production & warehouse - Rietkolk 37 - 3920 Lommel - Belgium — +32 (0) 11 46 00 99

**drisag**

Office Inspirators  
since 1970



Work pleasure by Drisag

## Tomo TOBK11

design by Drisag

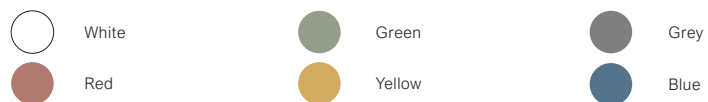
### Product description

Tomo offers an extensive range of stackable and non-stackable project, meeting, canteen chairs and bar stools. Mix & match for a complete look.

### Technical information

- Base: powder-coated or chrome-plated steel sled frame (dia. 12mm) with plastic glides
- Seat: polypropylene seat
- Stackable: up to 4
- \* Upholstery: 5mm PU foam, fabric cover with zipper  
\*optional

### Polypropylene colors (No upholstery)



### Fabrics

Available in all Drisag fabric groups.

### Metal colors



www.drisag.be — welcome@drisag.be

Experience Center & Production - Diamantstraat 8 - 2200 Herentals - Belgium — + 32 (0) 14 23 11 11

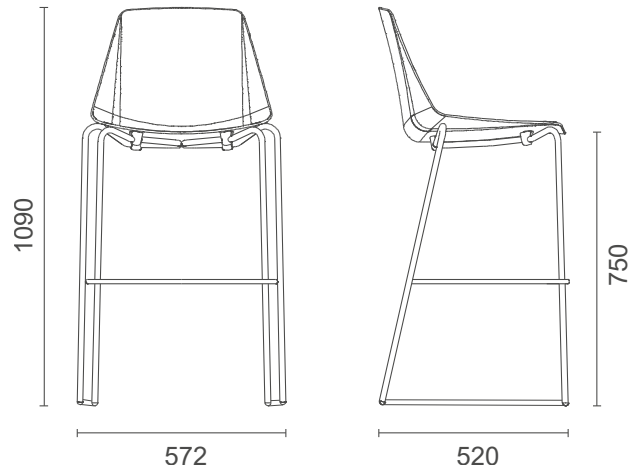
Experience Center - Krommebeekpark 22 - 8800 Roeselare - Belgium — + 32 (0) 51 67 13 09

Production & warehouse - Rietkolk 37 - 3920 Lommel - Belgium — +32 (0) 11 46 00 99

# Tomo TOBK11

design by Drisag

## Dimensions

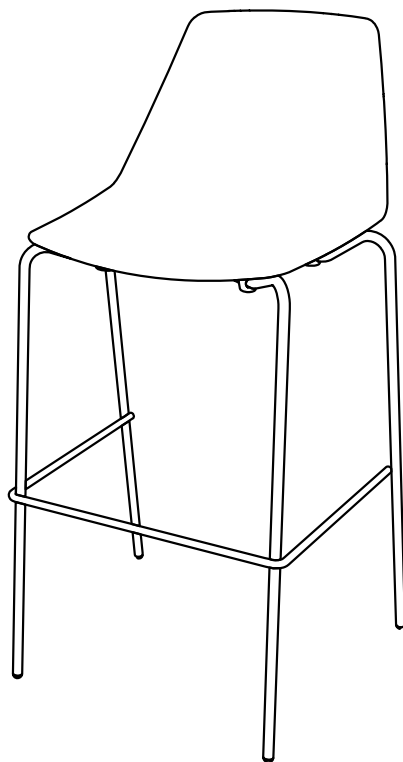


## Pictures



# Tomo TOBK12

design by Drisag



[www.drisag.be](http://www.drisag.be) — [welcome@drisag.be](mailto:welcome@drisag.be)  
Experience Center & Production - Diamantstraat 8 - 2200 Herentals - Belgium — + 32 (0) 14 23 11 11  
Experience Center - Krommebeekpark 22 - 8800 Roeselare - Belgium — + 32 (0) 51 67 13 09  
Production & warehouse - Rietkolk 37 - 3920 Lommel - Belgium — +32 (0) 11 46 00 99

**drisag**

Office Inspirators  
since 1970



Work pleasure by Drisag

## Tomo TOBK12

design by Drisag

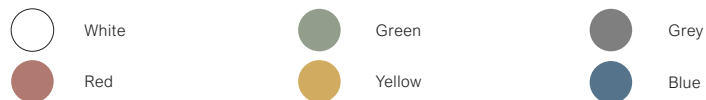
### Product description

Tomo offers an extensive range of stackable and non-stackable project, meeting, canteen chairs and bar stools. Mix & match for a complete look.

### Technical information

- Base: powder-coated or chrome-plated steel 4-legged base (dia. 16mm) with plastic plug-in caps.
- Seat: polypropylene seat
- Stackable: up to 4
- \* Upholstery: 5mm PU foam, fabric cover with zipper  
*\*optional*

### Polypropylene colors (No upholstery)



### Fabrics

Available in all Drisag fabric groups.

### Metal colors



www.drisag.be — welcome@drisag.be

Experience Center & Production - Diamantstraat 8 - 2200 Herentals - Belgium — + 32 (0) 14 23 11 11

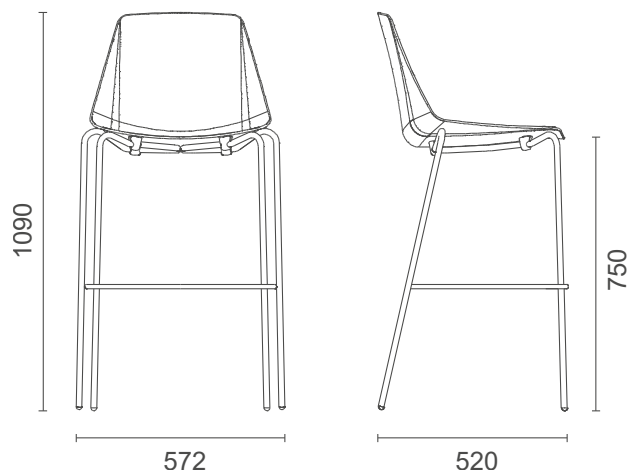
Experience Center - Krommebeekpark 22 - 8800 Roeselare - Belgium — + 32 (0) 51 67 13 09

Production & warehouse - Rietkolk 37 - 3920 Lommel - Belgium — +32 (0) 11 46 00 99

# Tomo TOBK12

design by Drisag

## Dimensions



## Pictures

