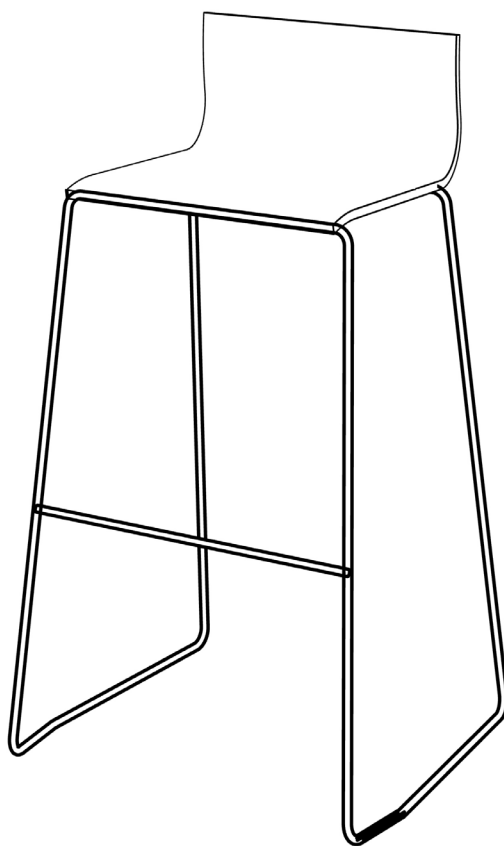


Club CLBK

design by Drisag





Work pleasure by Drisag

Club CLBK

design by Drisag

Product description

The Club bar stool is a good choice if you are looking for a high chair that looks professional and still sits comfortably. Due to the possibilities in powder coat colors, this chair always fits in your current or future interior.

Technical information

- Base: Powdercoated metal frame made out of metal rods, equipped with glides.
- Seat: Unupholstered plywood beech covered with HPL or seat upholstered, backrest plywood beech upholstered with HPL.

Fabrics

Available in all Drisag fabric groups.

HPL colors (No upholstery)

 HPL - Polar white

Metal colors

 K40 - black RAL9005


 K53 - grey blue

 K50 - rusty brown

 K41 - white RAL9010


 K57 - pale green

 K54 - beige red

 K58 - dark grey RAL7016

 K52 - cement grey

 K55 - coral red

 K51 - squirrel grey

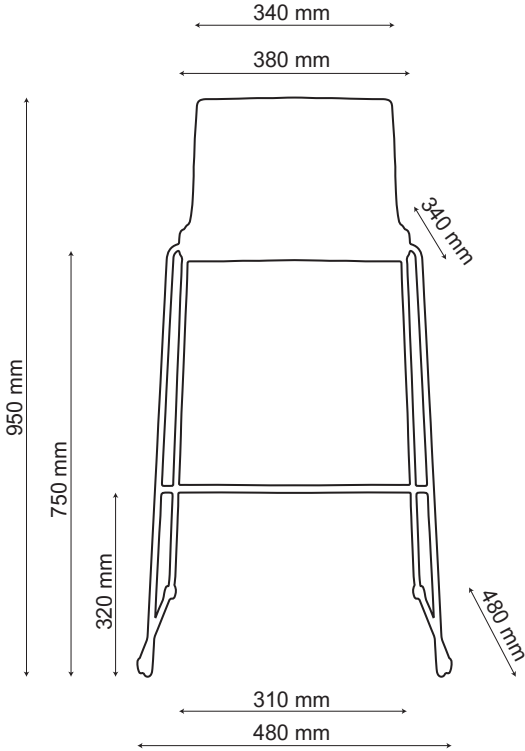
 K56 - black green

 chrome

Club CLBK

design by Drisag

Dimensions



Pictures



Club CLBK

design by Drisag

Pictures

