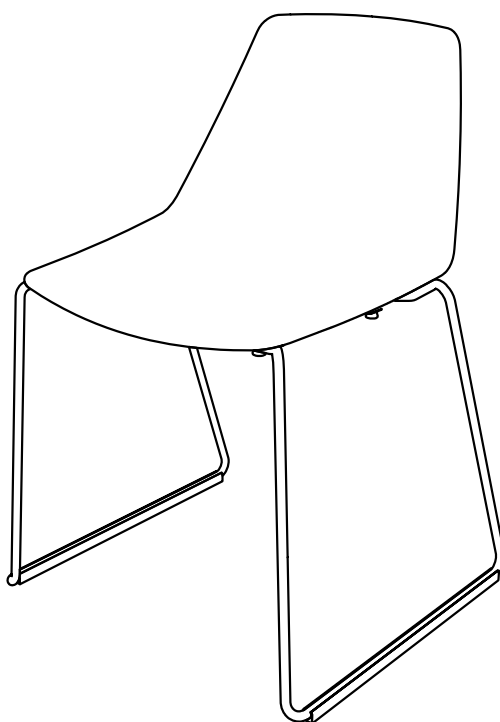


Tomo T011

design by Drisag



www.drisag.be — welcome@drisag.be
Experience Center & Production - Diamantstraat 8 - 2200 Herentals - Belgium — + 32 (0) 14 23 11 11
Experience Center - Krommebeekpark 22 - 8800 Roeselare - Belgium — + 32 (0) 51 67 13 09
Production & warehouse - Rietkolk 37 - 3920 Lommel - Belgium — +32 (0) 11 46 00 99

drisag

Office Inspirators
since 1970



Work pleasure by Drisag

Tomo T011

design by Drisag

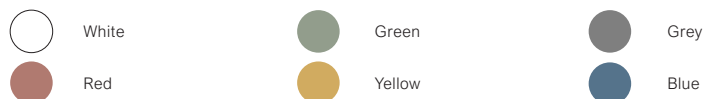
Product description

Tomo offers an extensive range of stackable and non-stackable project, meeting, canteen chairs and bar stools. Mix & match for a complete look.

Technical information

- Base: powder-coated or chrome-plated steel sled frame (dia. 12mm) with plastic glides
- Seat: polypropylene seat
- Stackable: up to 10
- * Upholstery: 5mm PU foam, fabric cover with zipper
**optional*

Polypropylene colors (No upholstery)



Fabrics

Available in all Drisag fabric groups.

Metal colors



www.drisag.be welcome@drisag.be

Experience Center & Production - Diamantstraat 8 - 2200 Herentals - Belgium — + 32 (0) 14 23 11 11

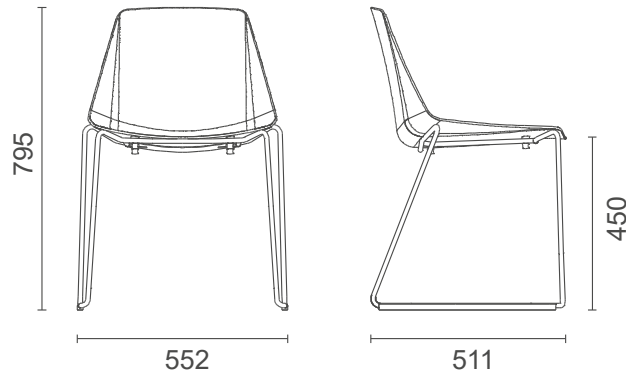
Experience Center - Krommebeekpark 22 - 8800 Roeselare - Belgium — + 32 (0) 51 67 13 09

Production & warehouse - Rietkolk 37 - 3920 Lommel - Belgium — +32 (0) 11 46 00 99

Tomo T011

design by Drisag

Dimensions

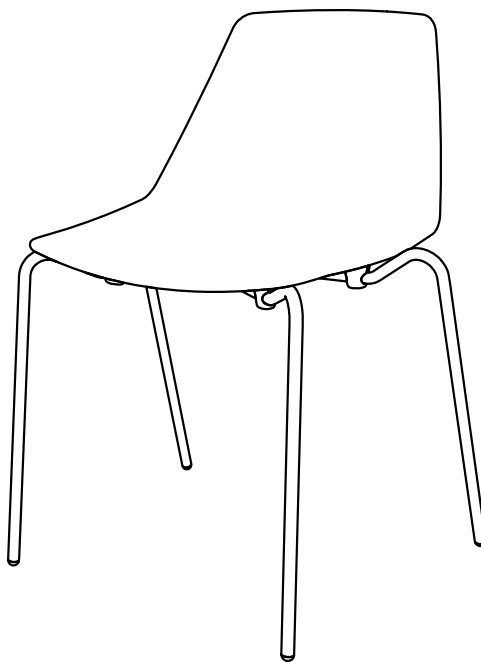


Pictures



Tomo T012

design by Drisag



www.drisag.be — welcome@drisag.be
Experience Center & Production - Diamantstraat 8 - 2200 Herentals - Belgium — + 32 (0) 14 23 11 11
Experience Center - Krommebeekpark 22 - 8800 Roeselare - Belgium — + 32 (0) 51 67 13 09
Production & warehouse - Rietkolk 37 - 3920 Lommel - Belgium — +32 (0) 11 46 00 99

drisag

Office Inspirators
since 1970



Work pleasure by Drisag

Tomo T012 design by Drisag

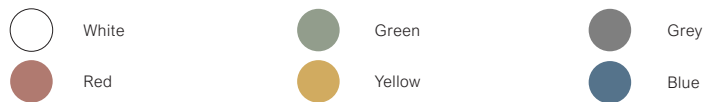
Product description

Tomo offers an extensive range of stackable and non-stackable project, meeting, canteen chairs and bar stools. Mix & match for a complete look.

Technical information

- Base: powder-coated or chrome-plated steel 4-legged base (dia. 16mm) with plastic plug-in caps.
- Seat: polypropylene seat
- Stackable: up to 10
- * Upholstery: 5mm PU foam, fabric cover with zipper
**optional*

Polypropylene colors (No upholstery)



Fabrics

Available in all Drisag fabric groups.

Metal colors



www.drisag.be — welcome@drisag.be

Experience Center & Production - Diamantstraat 8 - 2200 Herentals - Belgium — + 32 (0) 14 23 11 11

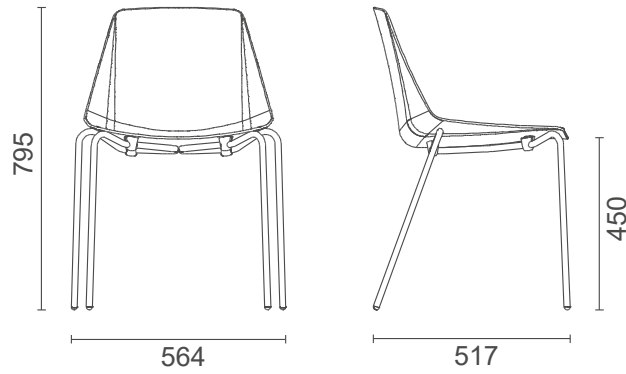
Experience Center - Krommebeekpark 22 - 8800 Roeselare - Belgium — + 32 (0) 51 67 13 09

Production & warehouse - Rietkolk 37 - 3920 Lommel - Belgium — +32 (0) 11 46 00 99

Tomo T012

design by Drisag

Dimensions

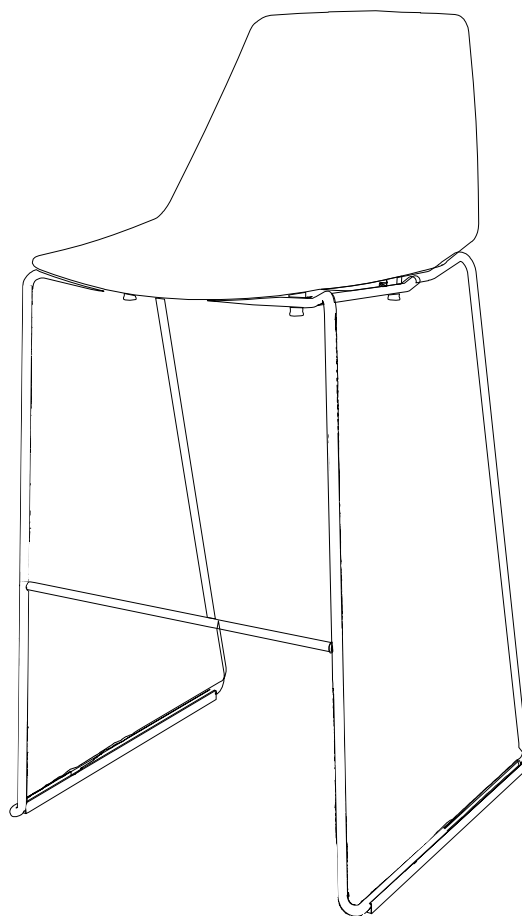


Pictures



Tomo TOBK11

design by Drisag



www.drisag.be — welcome@drisag.be
Experience Center & Production - Diamantstraat 8 - 2200 Herentals - Belgium — + 32 (0) 14 23 11 11
Experience Center - Krommebeekpark 22 - 8800 Roeselare - Belgium — + 32 (0) 51 67 13 09
Production & warehouse - Rietkolk 37 - 3920 Lommel - Belgium — +32 (0) 11 46 00 99

drisag

Office Inspirators
since 1970



Work pleasure by Drisag

Tomo TOBK11

design by Drisag

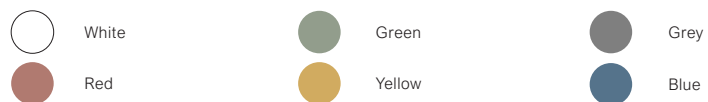
Product description

Tomo offers an extensive range of stackable and non-stackable project, meeting, canteen chairs and bar stools. Mix & match for a complete look.

Technical information

- Base: powder-coated or chrome-plated steel sled frame (dia. 12mm) with plastic glides
- Seat: polypropylene seat
- Stackable: up to 4
- * Upholstery: 5mm PU foam, fabric cover with zipper
*optional

Polypropylene colors (No upholstery)



Fabrics

Available in all Drisag fabric groups.

Metal colors



www.drisag.be — welcome@drisag.be

Experience Center & Production - Diamantstraat 8 - 2200 Herentals - Belgium — + 32 (0) 14 23 11 11

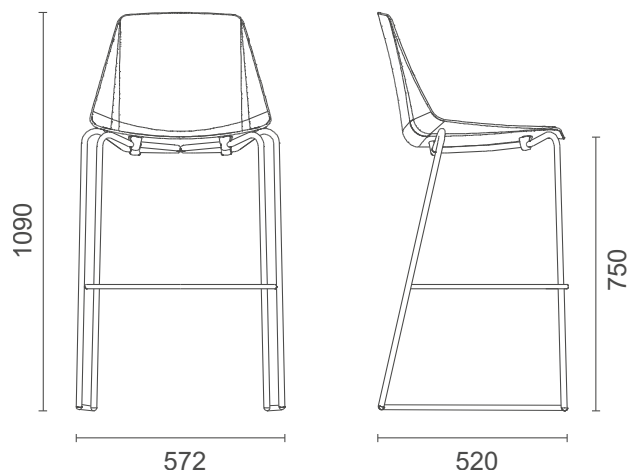
Experience Center - Krommebeekpark 22 - 8800 Roeselare - Belgium — + 32 (0) 51 67 13 09

Production & warehouse - Rietkolk 37 - 3920 Lommel - Belgium — +32 (0) 11 46 00 99

Tomo TOBK11

design by Drisag

Dimensions

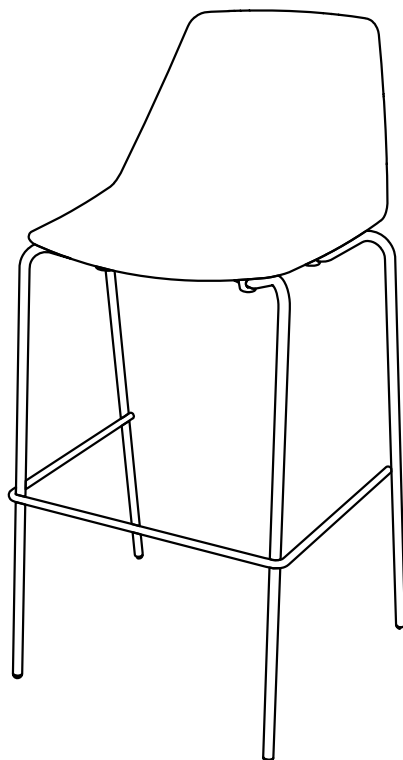


Pictures



Tomo TOBK12

design by Drisag



www.drisag.be — welcome@drisag.be
Experience Center & Production - Diamantstraat 8 - 2200 Herentals - Belgium — + 32 (0) 14 23 11 11
Experience Center - Krommebeekpark 22 - 8800 Roeselare - Belgium — + 32 (0) 51 67 13 09
Production & warehouse - Rietkolk 37 - 3920 Lommel - Belgium — +32 (0) 11 46 00 99

drisag

Office Inspirators
since 1970



Work pleasure by Drisag

Tomo TOBK12

design by Drisag

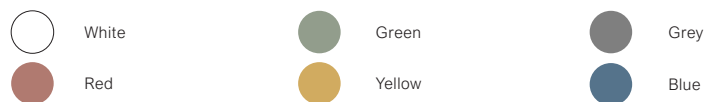
Product description

Tomo offers an extensive range of stackable and non-stackable project, meeting, canteen chairs and bar stools. Mix & match for a complete look.

Technical information

- Base: powder-coated or chrome-plated steel 4-legged base (dia. 16mm) with plastic plug-in caps.
- Seat: polypropylene seat
- Stackable: up to 4
- * Upholstery: 5mm PU foam, fabric cover with zipper
**optional*

Polypropylene colors (No upholstery)



Fabrics

Available in all Drisag fabric groups.

Metal colors



www.drisag.be — welcome@drisag.be

Experience Center & Production - Diamantstraat 8 - 2200 Herentals - Belgium — + 32 (0) 14 23 11 11

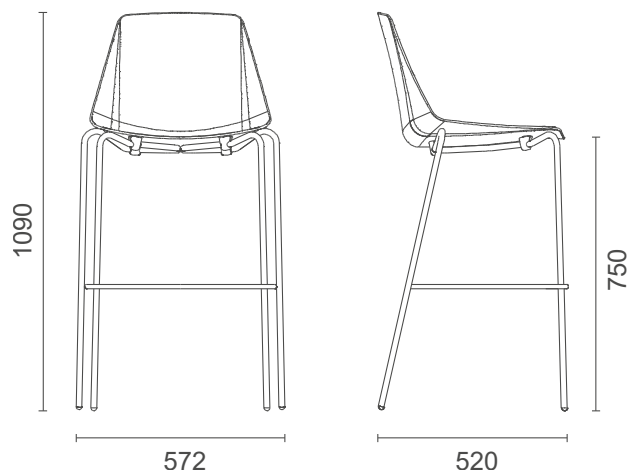
Experience Center - Krommebeekpark 22 - 8800 Roeselare - Belgium — + 32 (0) 51 67 13 09

Production & warehouse - Rietkolk 37 - 3920 Lommel - Belgium — +32 (0) 11 46 00 99

Tomo TOBK12

design by Drisag

Dimensions

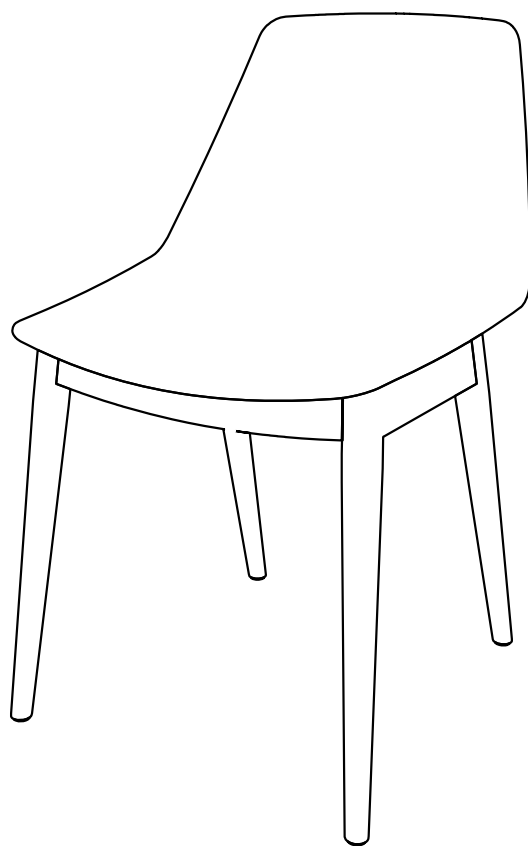


Pictures



Tomo T012H

design by Drisag



www.drisag.be — welcome@drisag.be
Experience Center & Production - Diamantstraat 8 - 2200 Herentals - Belgium — + 32 (0) 14 23 11 11
Experience Center - Krommebeekpark 22 - 8800 Roeselare - Belgium — + 32 (0) 51 67 13 09
Production & warehouse - Rietkolk 37 - 3920 Lommel - Belgium — +32 (0) 11 46 00 99

drisag

Office Inspirators
since 1970



Work pleasure by Drisag

Tomo T012H

design by Drisag

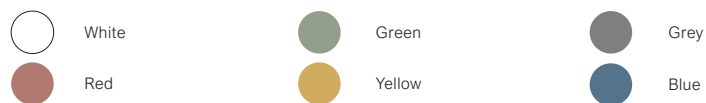
Product description

Tomo offers an extensive range of stackable and non-stackable project, meeting, canteen chairs and bar stools. Mix & match for a complete look.

Technical information

- Base: Beechwood four-legged base, fitted with felt feet.
- Seat: polypropylene seat
- * Upholstery: 5mm PU foam, fabric cover with zipper
**optional*

Polypropylene colors (No upholstery)



Fabrics

Available in all Drisag fabric groups.

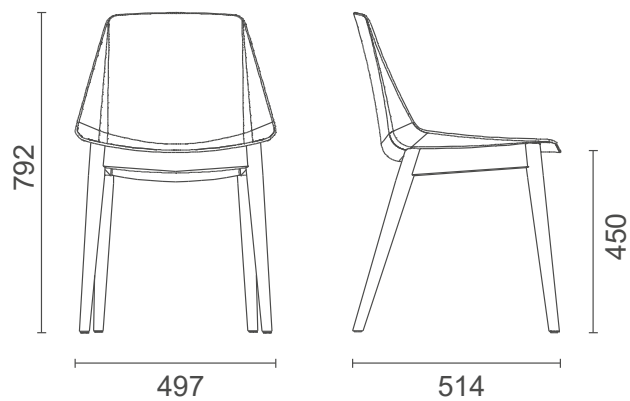
Wooden base colors



Tomo T012H

design by Drisag

Dimensions



Pictures

