



ACCESSORIES
ACOUSTICS
LIGHTING
SEATING
SOFT SEATING
STORAGE
TABLES & DESKS



Experience the workplace of tomorrow.

The workplace of tomorrow is transparent, flexible and inspiring. Nice, but what does this workplace look like? And how does the workplace of tomorrow feel? One can discuss that endlessly, but you can experience it best at Drisag in Herentals. Drisag, specialist and manufacturer of office furniture projects, invites you to its workplace at Frame 21 in Herentals.

Our building is called Frame 21, a landmark by the E313. The 21-meter high building, designed by B architects in Antwerp, looks light and invites you to come inside for a look. And that's exactly the intention.

Transparent

Those who enter the lobby of Frame 21 are awestruck. Certainly, you're a guest at Drisag, which has its office and showroom (1.500 m²) here. But there is even more to see: a vibrant business community, with people at work everywhere.

Flexible

Drisag displays a sample of modern furniture solutions. Solutions that are as flexible as today's people and organizations.

Drisag has solutions for everything: meeting, brainstorming, preparing presentations, food, sports and chilling out. The work environment is easy to set up and always easy to adjust to other work tasks. Meeting and presentation rooms, workspace for bilateral meetings or working on your own.

Courtyard, outdoor workplaces or a rooftop terrace with sports facilities, bar and grill? Drisag offers endless possibilities. Share the workplace

...

Designed to make you feel good at work

At all workplaces in Frame 21, Drisag furniture is used intensively every day. Furniture that can be equipped with handy tools like charging stations for smartphones and media devices. Also multifunctional are the units used for storing materials, simultaneously acting as a separation between work stations and providing a significant contribution to sound regulation. Drisag provides stylish, convenient workplaces that meet the standards for healthy working. Designed to make you feel good at work, we call it.

Made in Belgium

At the site, Frame 21 is the central building. However, as a guest of Drisag you are also welcome to enter the adjacent building, the Drisag Workshop.

A team of professionals manufacture colourful, comfortable and ergonomic seating furniture here in a traditional way. The professionals are also employed in the production of custom products. Also good to know: Drisag delivers maximum efforts aimed at the circular economy. Drisag is after all always thinking about the workplace of tomorrow...

Drisag invites you! Come be inspired!

From workplaces to places that work.

Table of content

Accessories 6

Clock	8
FeltTree	10

Acoustics 14

AcoustiCloud	16
AcoustiPanel	20
AcoustiShutter	24
AcoustiSphere	26
CoupéScreens	30
DeskDivider	34
DeskScreen	38
Fading Shape	42
Fennel	48
Fency	56
Flipboard	62
Hinge	66
Lunar	70
Leaf	74
Many floors	76
MediaWall	80
Moveable Acoustiwall	82
PartitionScreen	84
Shingle	88
SlideScreen	90

Lighting 94

Carat	96
EXP Lamp	98
Ribs	102

Seating 106

Allure	108
Charlie CH44	112
Charlie CH51	116
Charlie CH61	120
Charlie CH64	124
Club CL11	128
Club CL12	132
Club CL23	136
Club CL51	140
Club bench	144
Club BK	148
Econic	152
Factory stool	158

Factory chair	160
Johan & Johansson	164
Koda KO12	168
Koda KO12H	170
Koda KO51	172
Modest	174
Multibull	178
One ON11	182
One ON14	186
One ON21 Lounge	188
One ONBK	190
Poly	192
Smart	198
Smart Netweave	204
Sonja	208
Sonja SOBK	212
Tomo TO11	214
Tomo TO12	216
Tomo TO12H	218
Tomo TO51(A)	220
Tomo TOBK11	222
Tomo TOBK12	224
Tomo TOWB	226
Twist	228
Verso	232
Victory VI41	236
Victory VI44	240
Fat Victory	244
Wonky	248
Yoko	252

Soft Seating 256

BeA Bench	258
Boris	264
CoziMo	268
Cubo & Tubo	272
D-ply	278
Egg ²	282
First Class	286
Hunnebed	290
Industry sofa	308
InsideOut	314
James	320
July	324
JustMe/JustUs	328
Maya	334

Nest	336
Oasis	340
Ply	344
PlyBooth	350
Sofie	356
Will	360
Zenn	364

Storage 370

Cliff	372
Crate	374
Den	378
Notes	380
SA100	384
SA21	388
San Pedro	392
Stellar	396
Stellar cabinet	400
Twiggy	404
Winter	406

Tables & Desks 410

Atlas	412
Brutus	416
Jade	420
Homie	422
Kana	426
Major	432
Ply front office	438
Prio	440
Prio sit-stand	452
Project Table	466
Sereno	470
System	474
System adjustable height	484
TipTop table	486
Tubular	490
Tubular XL	494
Tweet, Square & Triangle	498

Accessories

Down to the smallest detail. Feel at home in your workplace. These small details make work really enjoyable. Cable management, decorations, signage, it all contributes to the bigger picture.





Clock

design by Drisag



Product description

A subtle felt clock with acoustic properties. By choosing this product, you are cleaning up the ocean together with Drisag.

Felt colors

Available in all Drisag felt colors.

Characteristics



Recycled & recyclable



Sound absorption



Fire retardant
Bs1 - 0d0



Made from
PET bottles



Usable as
a pin board

Dimensions



350 mm



FeltTree

design by Drisag



Product description

An easy to store Christmas tree that you can reuse year after year and that looks as beautiful every time. The FeltTree is easy to slide in and out of each other so it takes up very little space in storage and can be set up in a jiffy when you need it. Small or large, anything is possible with our table and floor models.

Felt colors

Available in all Drisag felt colors.

Characteristics



Recycled & recyclable



Sound absorption



Fire retardant
Bs1 - 0d0



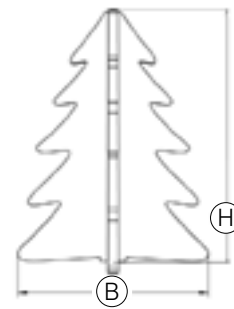
Made from
PET bottles



Usable as
a pin board

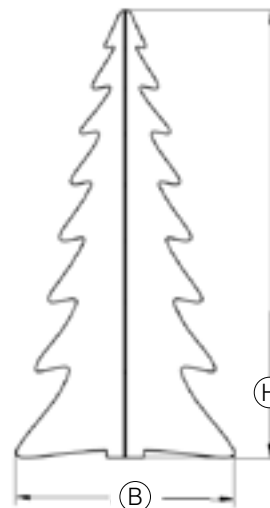
Dimensions Desk models

- Small: H=24cm B=18cm
- Medium: H=30cm B=23cm
- Large: H=36cm B=27cm



Dimensions Floor models

- Small: H=120cm B=60cm
- Medium: H=160cm B=80cm
- Large: H=200cm B=100cm
- Extra large: H=240cm B=120cm

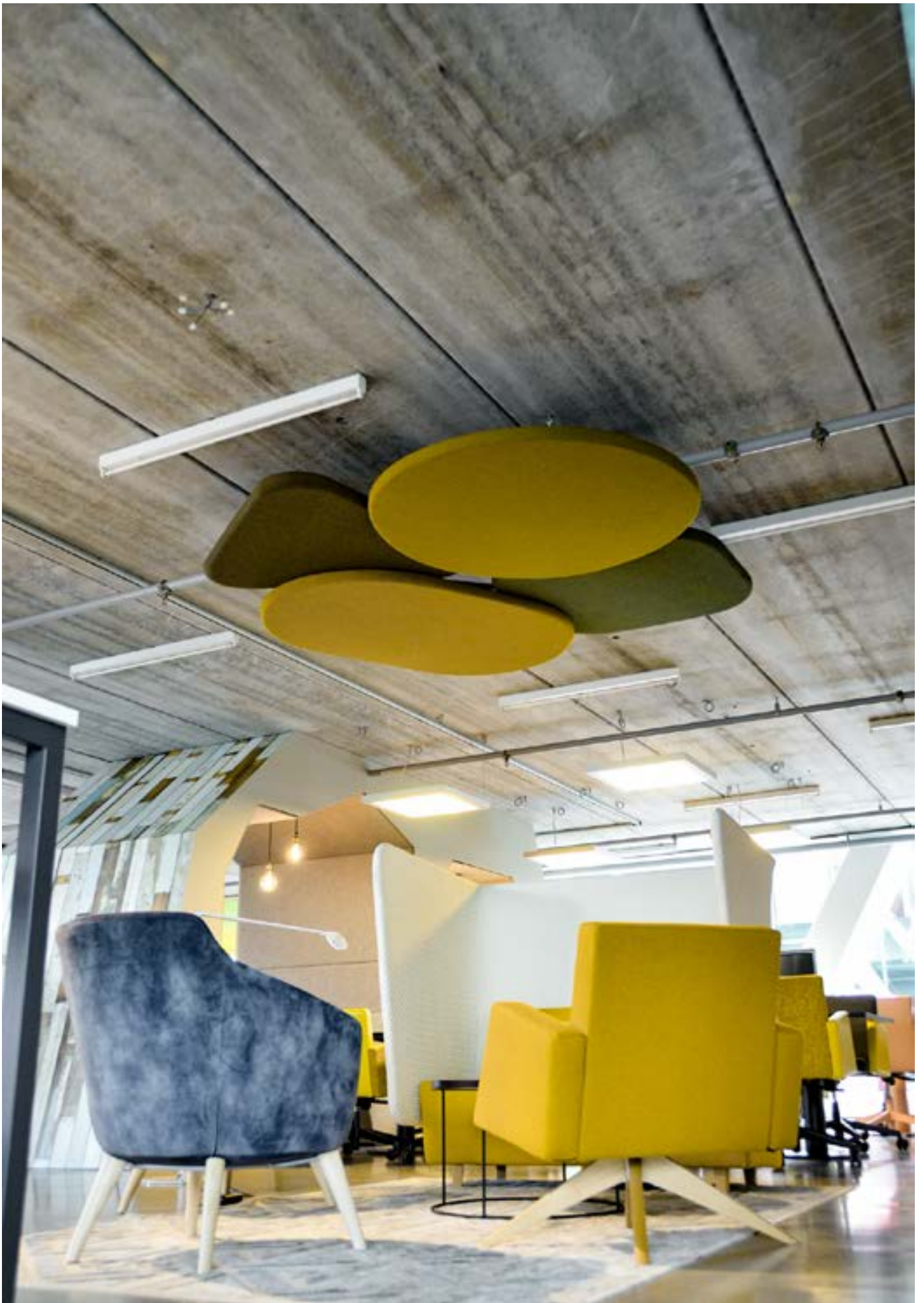






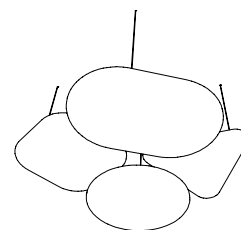
Acoustics

No one likes to be able to overhear a colleague's entire phone conversation in detail or hear the air system buzzing. Acoustic solutions are very important for a pleasant working atmosphere in which the employees can concentrate. Acoustic walls and panels are used on and around various desks, against walls or hanging from the ceiling. All these soft materials ensure that the sound is absorbed and doesn't bounce back.



AcoustiCloud

design by Drisag



Product description

Different shapes, sizes and colors, there are endless possibilities. Be brave and create your own composition, one that enhances your work environment. In addition to the aesthetic qualities, these clouds drastically improve the acoustics of your interior.

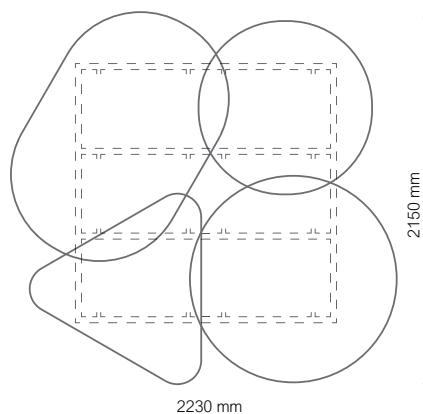
Technical information

- Acoustic shapes: MDF, acoustic PU foam, non-removable upholstery
- Frame: Powder-coated metal frame
- Ceiling mount: metal cables and cable adjusters

Fabrics

Available in all Drisag fabric groups.

Dimensions



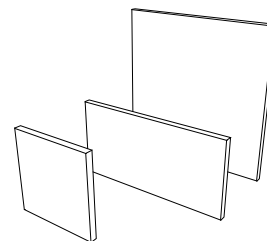






AcoustiPanel

design by Drisag



Product description

Good acoustics should not be underestimated. Enhance yours by installing some of our AcoustiPanels. Let them blend into your interior or let them pop with a vibrant color. Three sizes, endless configurations.

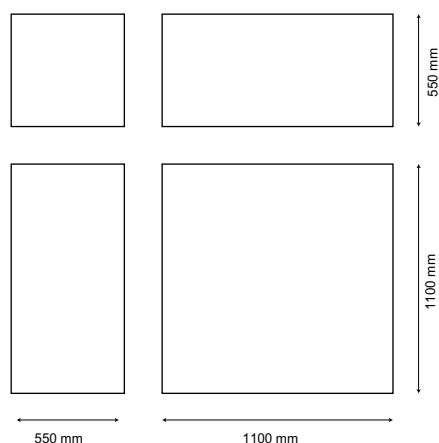
Technical information

- Upholstery: non-removable upholstery
- Frame: plywood and MDF inner structure filled 40mm with acoustic foam
- Wall/ceiling: attached to the wall with Velcro ceiling mount with metal cables

Fabrics

Available in all Drisag fabric groups or with custom prints.

Dimensions



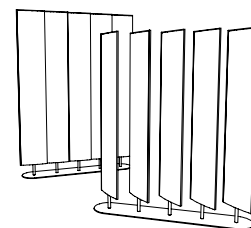






AcoustiShutter

design by Drisag



Product description

The panels can rotate separately on their own axis. By opening them you create transparency, you obtain more privacy by closing them.







Technical information

MDF structure with foam, upholstered in a wide range of standard fabrics. The base is made of powdercoated steel.

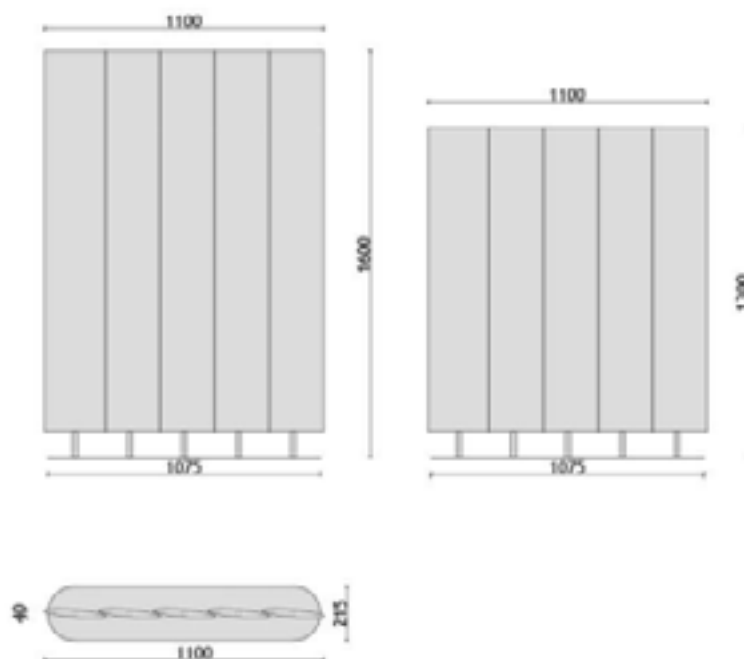
Fabrics

Available in all Drisag fabric groups.

Metal colors

	K40 - black RAL9005		K53 - grey blue		K50 - rusty brown
	K41 - white RAL9010		K57 - pale green		K54 - beige red
	K58 - dark grey RAL7016		K52 - cement grey		K55 - coral red
	K51 - squirrel grey		K56 - black green		

Dimensions





AcoustiSphere

design by Drisag



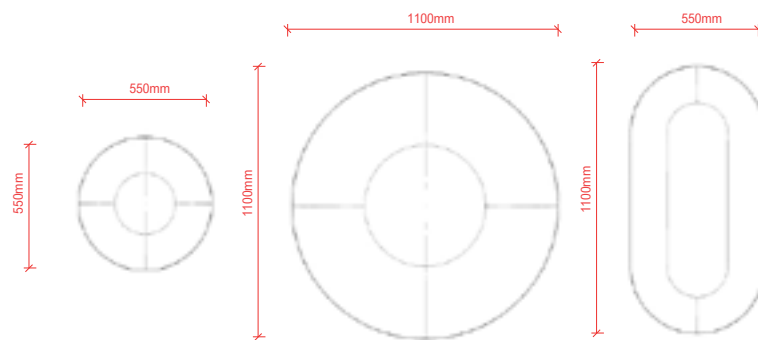
Product description

Elegant and it improves acoustics, what more could you want? These spheres come in three sizes and can be upholstered in a wide variety of fabrics. Create your own composition and give your interior the look it deserves.

Fabrics

Available in all Drisag fabrics groups.

Dimensions









CoupéScreens

design by Drisag



Product description

With this acoustic system you create individual workplaces. With only one height but different lengths, this product offers a solution for many problems.

Technical information

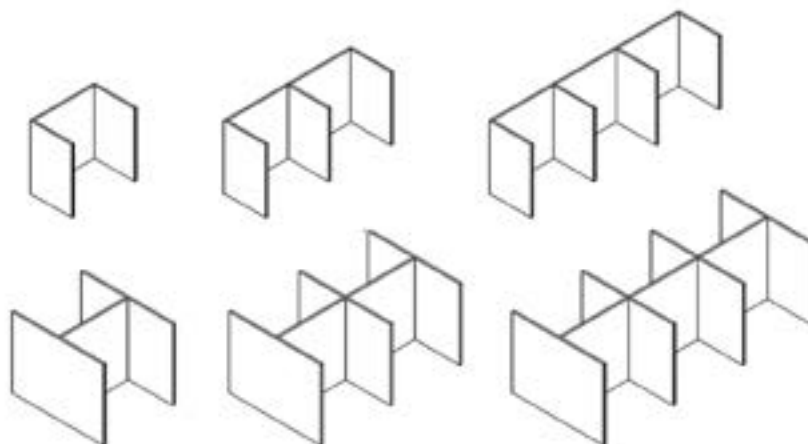
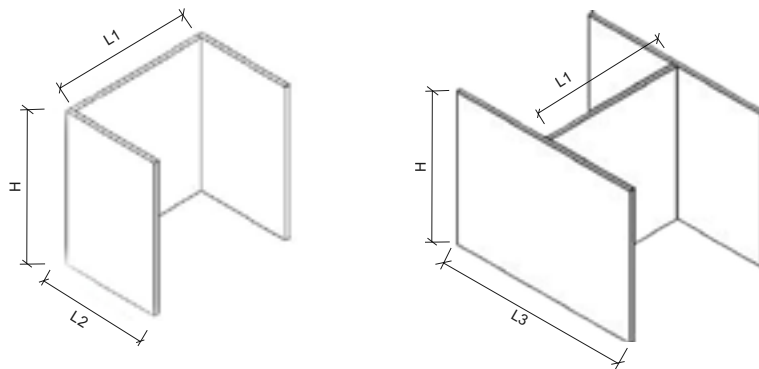
- Upholstery: non-removable upholstery
- Frame: 40x20mm steel inner structure filled with 40mm acoustic foam, Frames are connected with keyhole fittings

Fabrics

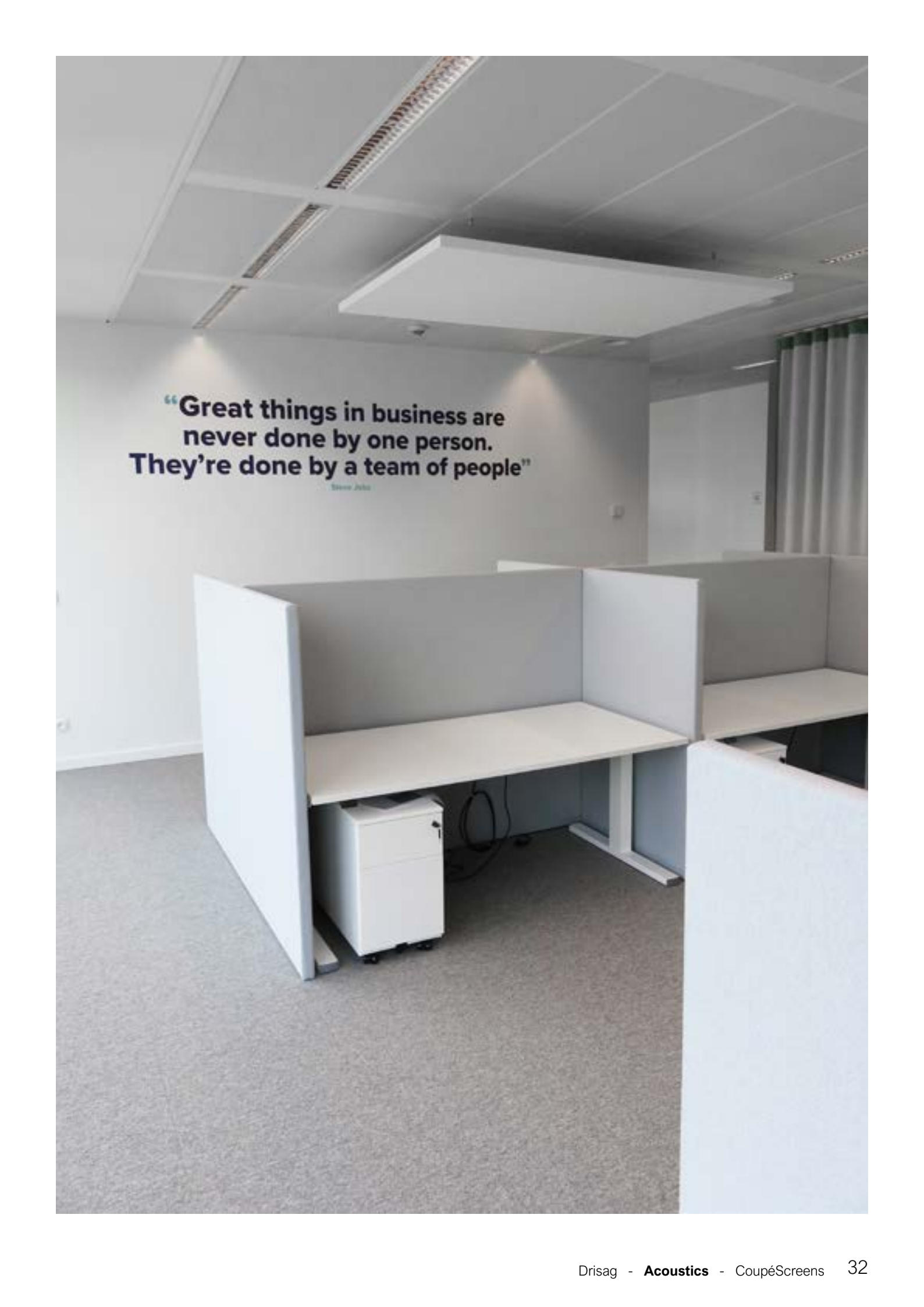
Available in all Drisag fabric groups.

Models/Dimensions

- H: 1300mm
- L1: 1250, 1450, 1650, 1850mm
- L2: 865, 965, 1065mm
- L3: 01700, 1900, 2100mm





A photograph of an office cubicle area. The cubicles are constructed with light-colored, possibly acoustic, panels. A desk is attached to the cubicle structure. A small white storage unit is on wheels under the desk. On the wall behind the cubicles, a quote is displayed in large black letters. The ceiling has recessed lighting and a large rectangular acoustic panel. The floor is covered in a light-colored carpet.

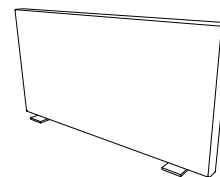
**“Great things in business are
never done by one person.
They’re done by a team of people”**

Steve Jobs



DeskDevider

design by Drisag



Product description

This movable acoustic desk accessory gives you a little more privacy while working. Available in three sizes.

Technical information

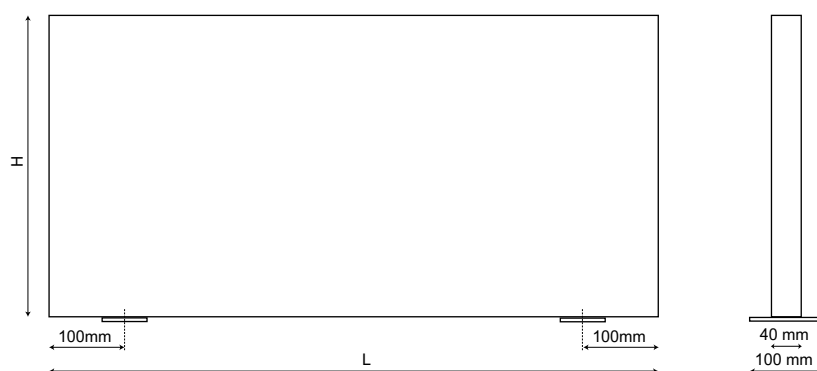
- Upholstery: non-removable upholstery
- Frame: 40x20mm steel inner structure filled with 40mm acoustic foam, Powdercoated metal feet

Fabrics

Available in all Drisag fabric groups.

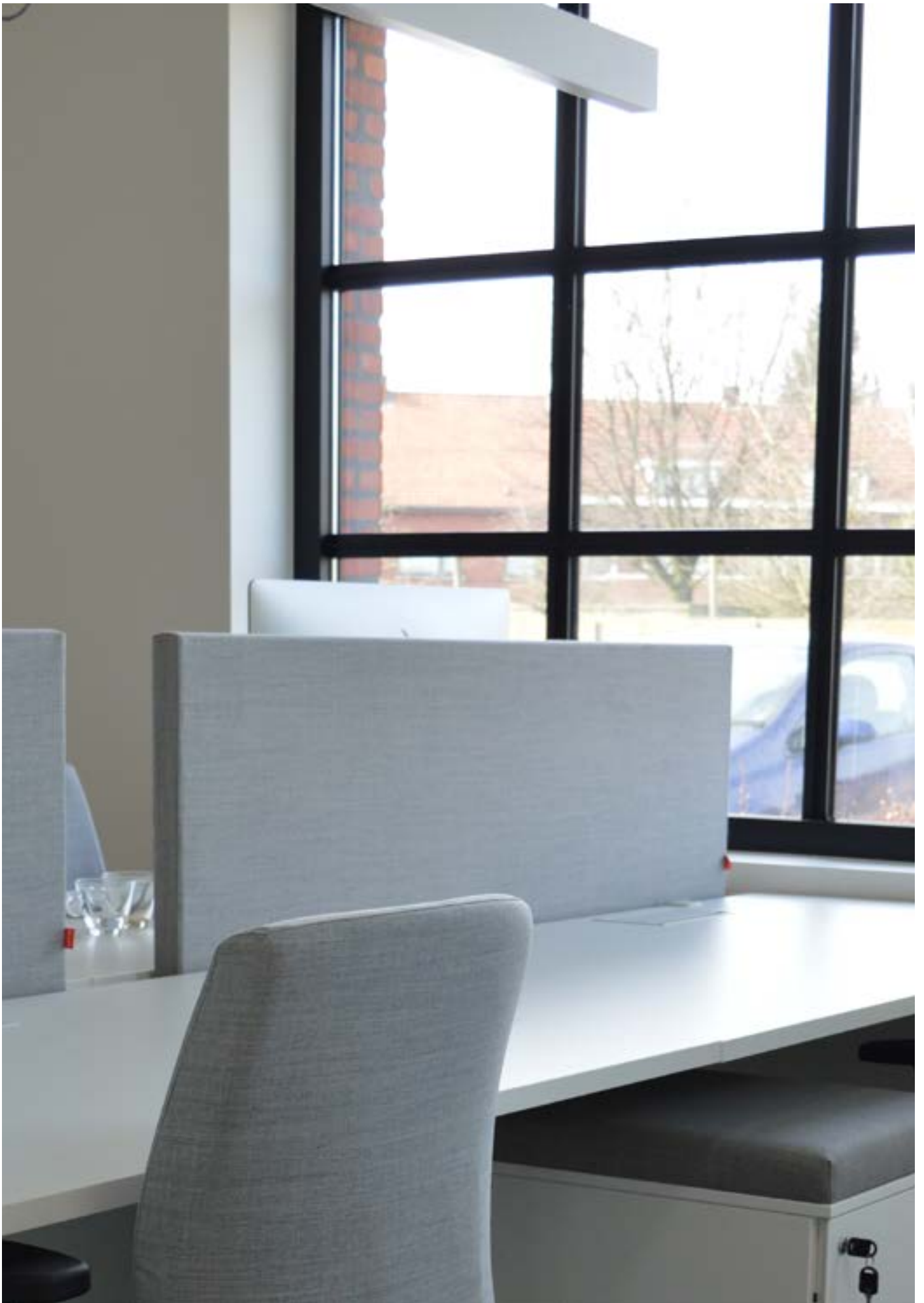
Dimensions

- L800mm x H400mm
- L1400mm x H500mm
- L1800mm x H500mm



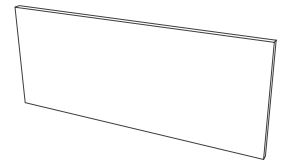






DeskScreen

design by Drisag



Product description

This acoustic wall is an addition to your workplace. Unlike many others, a metal frame was used here as the base instead of cheap wooden structures. In addition, they are placed on a metal bracket, which makes them extremely stable.

Technical information

Metal frame, filled with acoustic foam and upholstered in a wide range of standard fabrics.

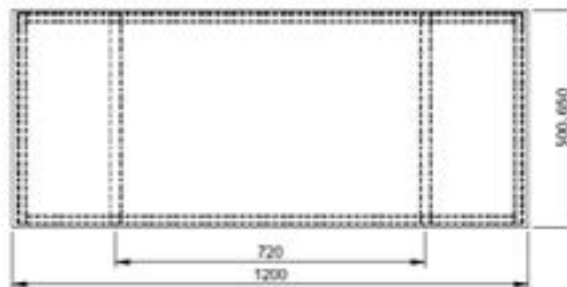
Fabrics

Available in all Drisag fabric groups.

Options

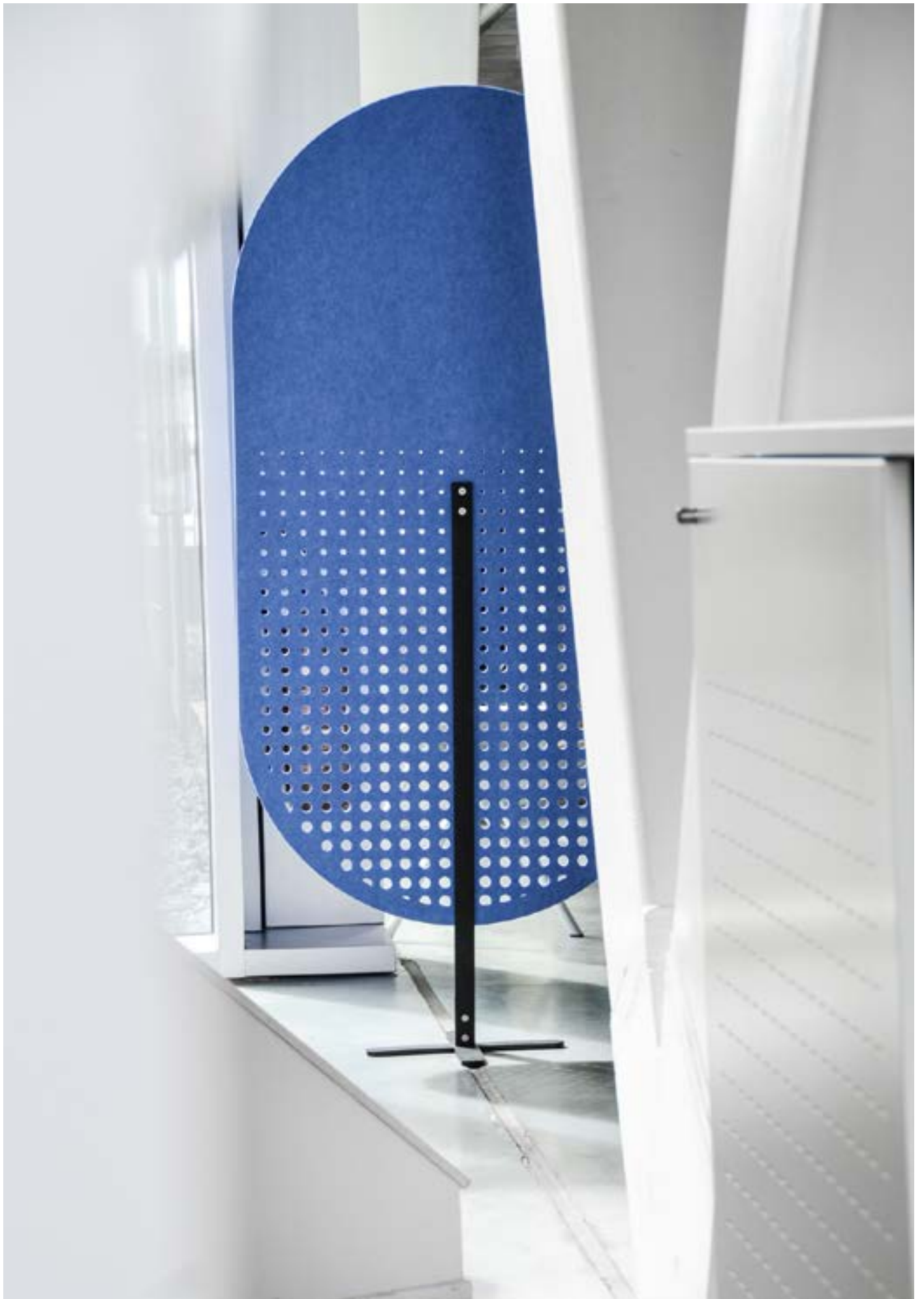
- Bi-color
- Metal bracket (tabletop 25mm thickness)
- Luxurious (French) seam
- Set of feet (table model)
- Set of high T-legs (duo table model)
- Height 650mm

Dimensions









Fading Shape

design by Drisag



Product description

A range of sound absorbing room dividers that can easily be rearranged into a dense forest or a widespread field of shapes.

Powder-coated steel base with recycled PET felt (density 1.9kg/m³).

Felt colors

Available in all Drisag felt colors.

Characteristics



Recycled & recyclable



Sound absorption



Fire retardant
Bs1 - 0d0



Made from
PET bottles



Usable as
a pin board

Metal colors



K40 - black RAL9005



K53 - grey blue



K50 - rusty brown



K41 - white RAL9010



K57 - pale green



K54 - beige red



K58 - dark grey RAL7016



K52 - cement grey



K55 - coral red



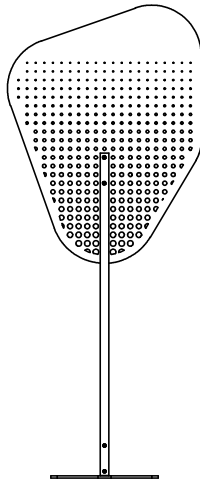
K51 - squirrel grey



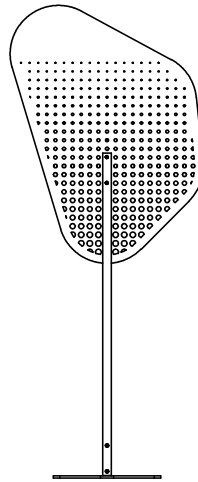
K56 - black green



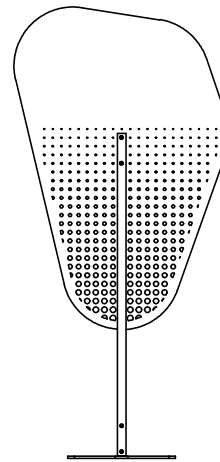
Dimensions



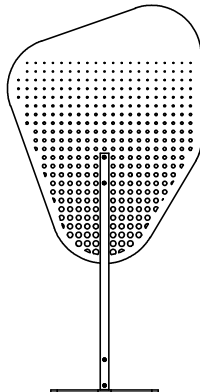
Geometric 3 - High
2200mm x 900mm



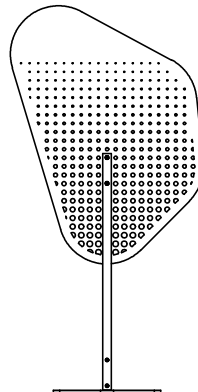
Geometric 2 - High
2200mm x 900mm



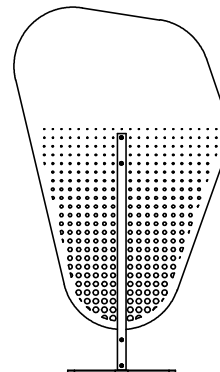
Geometric 1 - High
2100mm x 1000mm



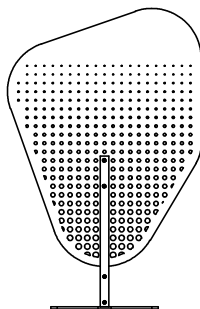
Geometric 3 - Medium
1800mm x 900mm



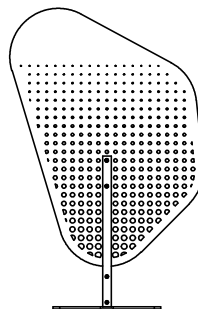
Geometric 2 - Medium
1800mm x 900mm



Geometric 1 - Medium
1700mm x 1000mm



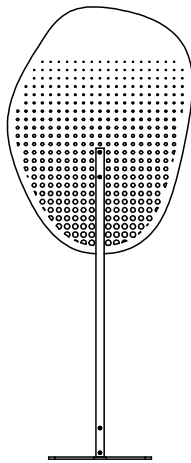
Geometric 3 - Low
1400mm x 900mm



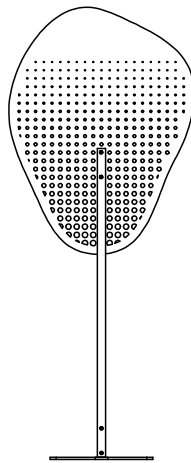
Geometric 2 - Low
1400mm x 900mm



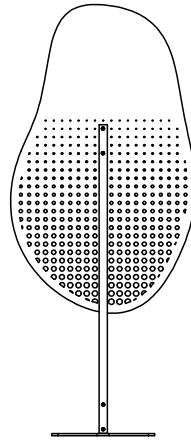
Dimensions



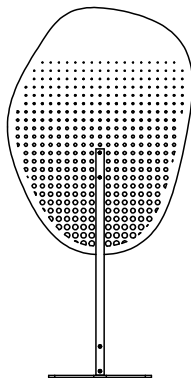
Organic 3 - High
2200mm x 900mm



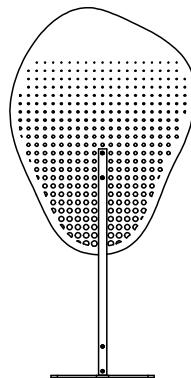
Organic 2 - High
2200mm x 900mm



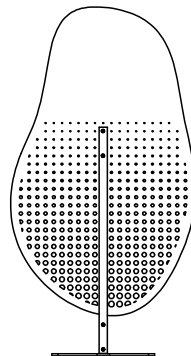
Organic 1 - High
2100mm x 900mm



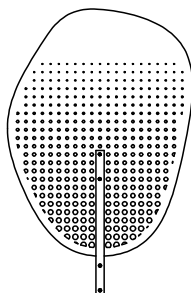
Organic 3 - Medium
1800mm x 900mm



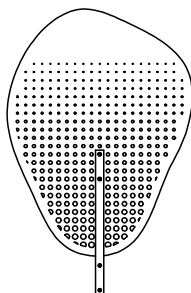
Organic 2 - Medium
1800mm x 900mm



Organic 1 - Medium
1700mm x 900mm



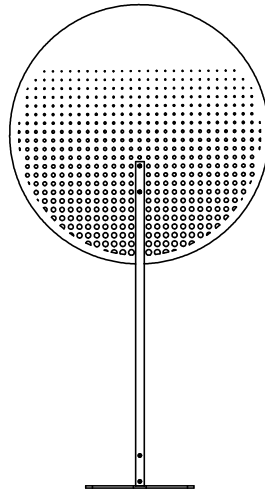
Organic 3 - Low
1400mm x 900mm



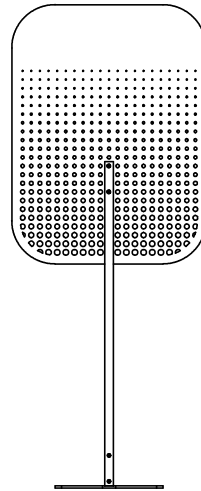
Organic 2 - Low
1400mm x 900mm



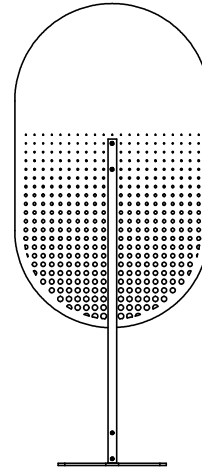
Dimensions



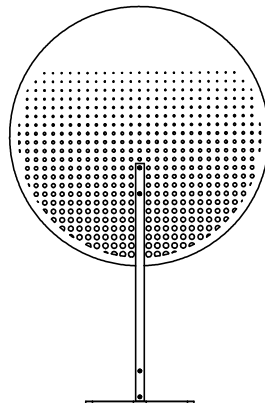
Rounded 3 - High
2200mm x 1200mm



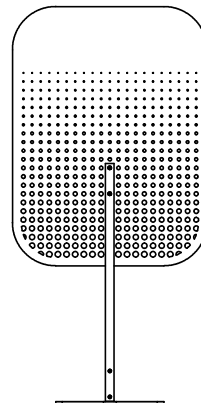
Rounded 2 - High
2200mm x 900mm



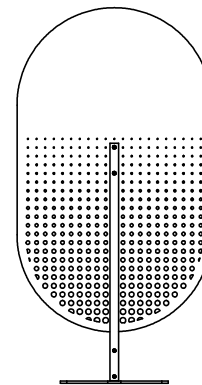
Rounded 1 - High
2100mm x 900mm



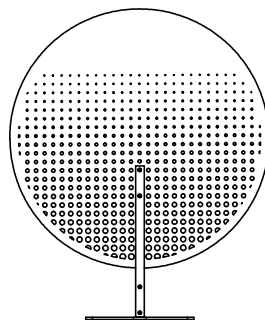
Rounded 3 - Medium
1800mm x 1200mm



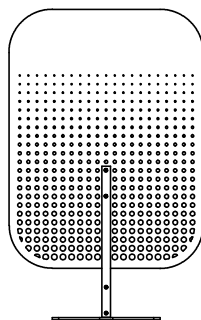
Rounded 2 - Medium
1800mm x 900mm



Rounded 1 - Medium
1700mm x 900mm

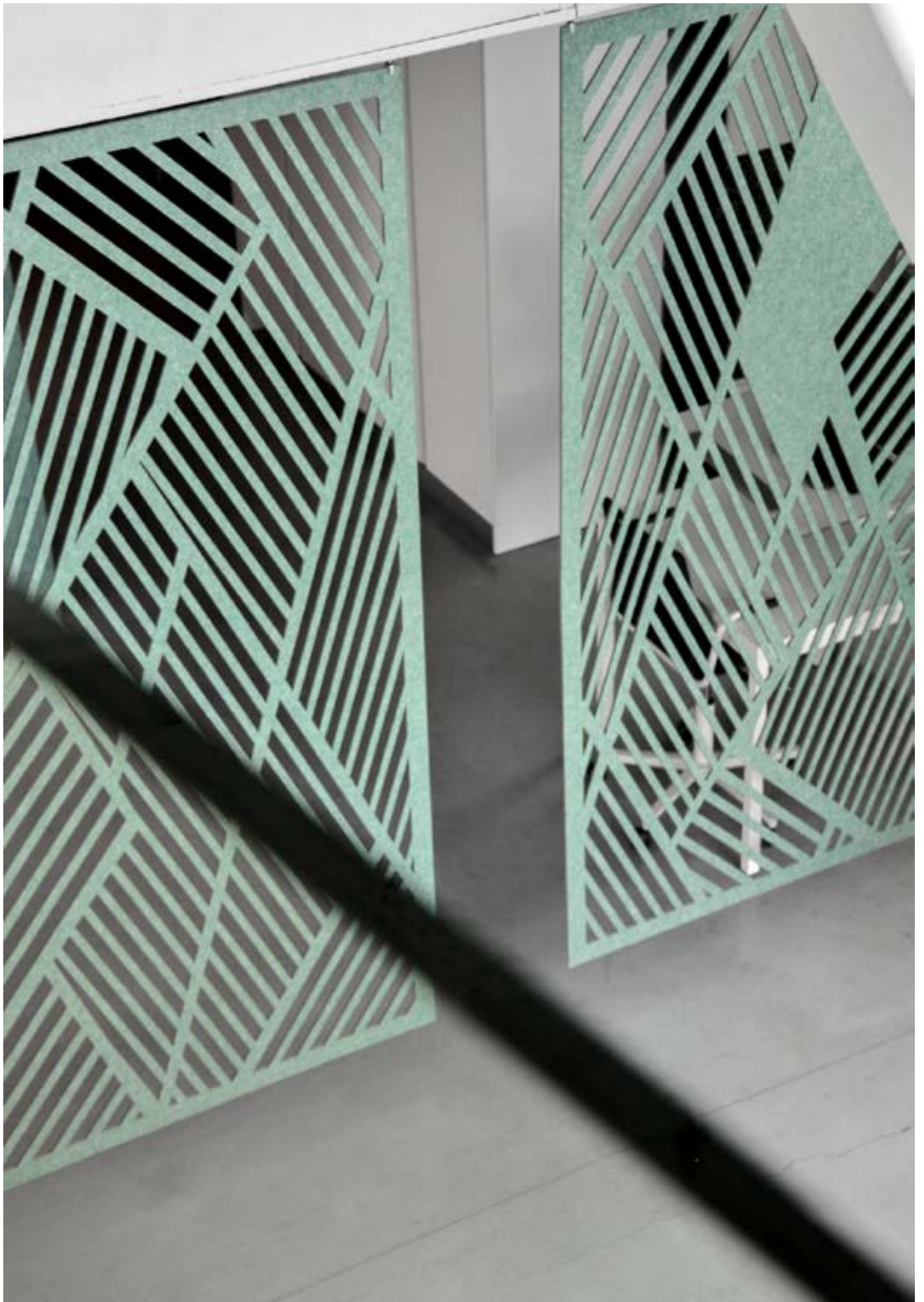


Rounded 3 - Low
1400mm x 1200mm



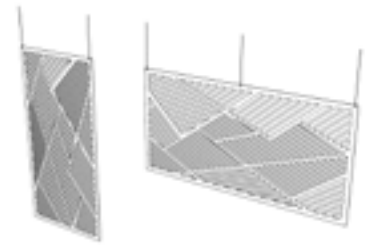
Rounded 2 - Low
1400mm x 900mm





Fennel

design by Drisag


























Product description

Due to the wide variety of patterns and colors, you can easily integrate these felt panels into any atmosphere and environment. The range is divided into etch, push and cut. Varying from relief drawing for walls and volumes, to perforated semi-transparent screens as a room divider. This felt product also improves acoustics and is made from recycled PET bottles.

Felt colors

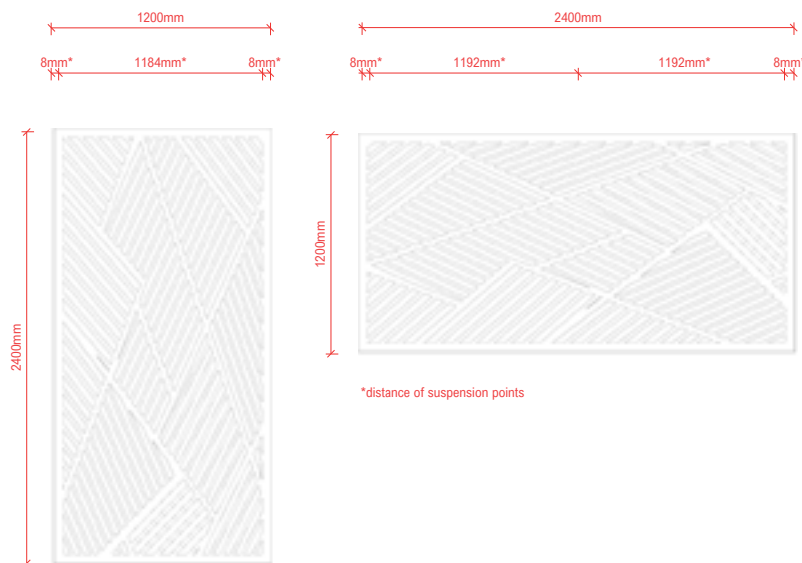


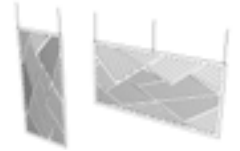
	BZ-03 dark grey		BZ-12 dark beige		BZ-35 camel
	BZ-04 beige		BZ-13 black		BZ-36 grey
	BZ-05 yellow		BZ-17 dark green		BZ-39 dark red-brown
	BZ-07 white		BZ-19 dark blue		BZ-43 light green
	BZ-08 red		BZ-25 blue		BZ-46 Orange
	BZ-09 heather blue		BZ-31 dark green with beige speckle		BZ-47 heather light blue
	BZ-10 heather dark green		BZ-33 salmon pink		BZ-48 heather dark red
	BZ-11 light grey		BZ-34 dark red-green		

Options

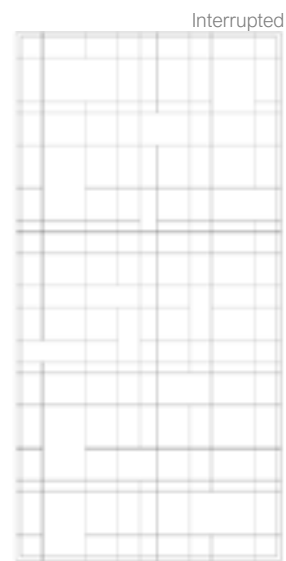
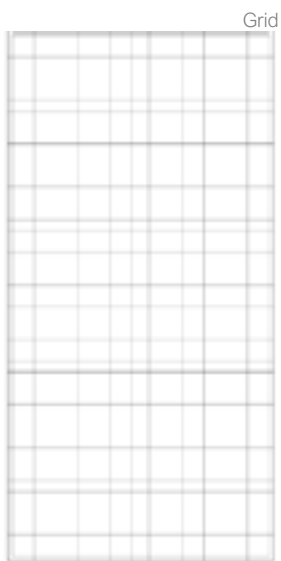
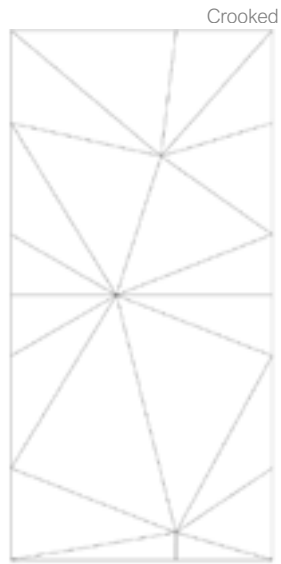
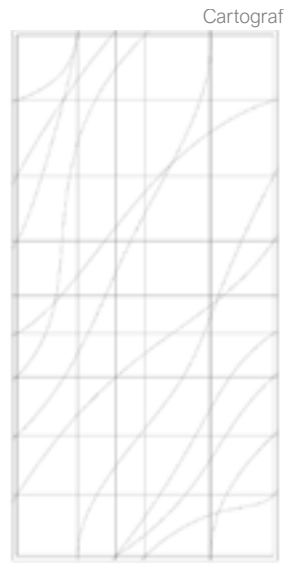
The panels can hang freely in the room on metal cables or they can be used as wall coverings.

Dimensions

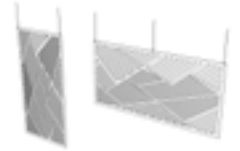




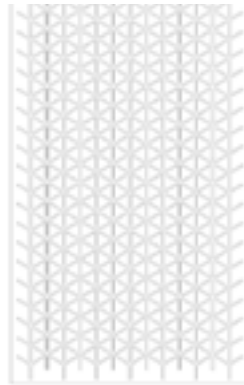
Etch panels







Cut panels



Coral 1

Coral 2

Coral 3

Coral 4

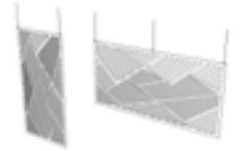
Circles

Geo 3D

Geo

Lines





Push panels

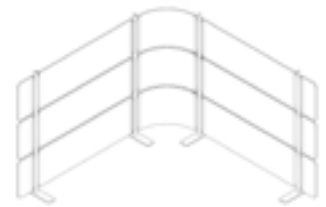






Fency

design by Drisag



Product description

Fency is a flexible, modular felt partition screen. By connecting the modules, you can create separation where necessary or see through where desired. This felt product also improves acoustics and is made from recycled PET bottles.

Metal colors



Felt colors

Available in all Drisag felt colors.

Characteristics



Parts





Dimensions
Solo



H130 x B167cm



H170 x B167cm



H210 x B167cm



H130 x B60 x D60cm



H170 x B60 x D60cm



H210 x B60 x D60cm



Dimensions
Start module



H130 x B147cm



H170 x B147cm



H210 x B147cm



H130 x B60 x D40cm



H170 x B60 x D40cm



H210 x B60 x D40cm

add-on module



H130 x B123cm



H170 x B123cm



H210 x B123cm



Dimensions
add-on module



H130 x B36 x D40cm



H170 x B36 x D40cm



H210 x B36 x D40cm

end module



H130 x B143cm



H170 x B143cm



H210 x B143cm



H130 x B36 x D60cm



H170 x B36 x D60cm



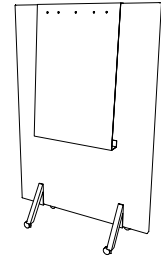
H210 x B36x D60cm





Flipboard

design by Drisag



Product description

A handy tool during a meeting. This mobile wall improves the acoustics of the room and is fitted with a metal bracket on which a notepad can be attached.

Technical information

- Upholstery: non-removable upholstery
- Frame: steel inner structure filled with 40mm acoustic foam
- Writing surface: Metal bracket equipped with holes for mounting notepad (notepad size w65 x h97,5 not included)
- Base: Metal base equipped with casters with brake

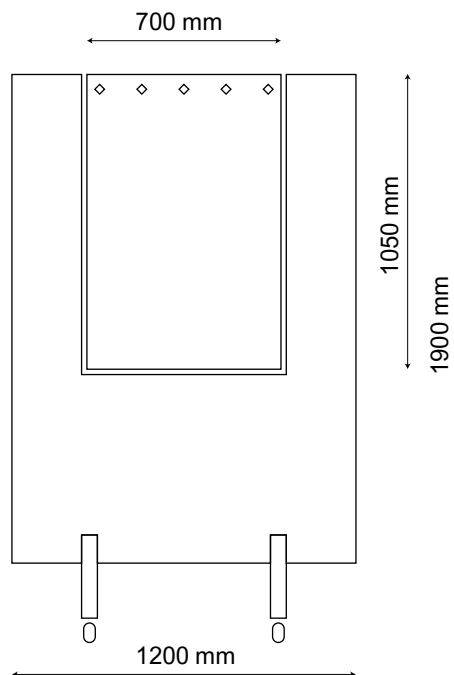
Fabrics

Available in all Drisag fabric groups.

Metal colors

	K40 - black RAL9005		K53 - grey blue		K50 - rusty brown
	K41 - white RAL9010		K57 - pale green		K54 - beige red
	K58 - dark grey RAL7016		K52 - cement grey		K55 - coral red
	K51 - squirrel grey		K56 - black green		

Dimensions



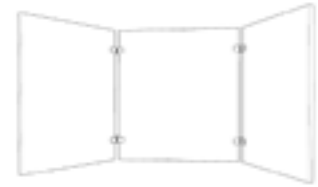






Hinge

design by Drisag



Product description

An aluminium cast hinge that allows several upholstered walls to be linked together. The result is a movable folding screen that stands on its own and can be used anywhere you need it.

Metal colors



K40 - black RAL9005



K53 - grey blue



K50 - rusty brown



K41 - white RAL9010



K57 - pale green



K54 - beige red



K58 - dark grey RAL7016



K52 - cement grey



K55 - coral red



K51 - squirrel grey

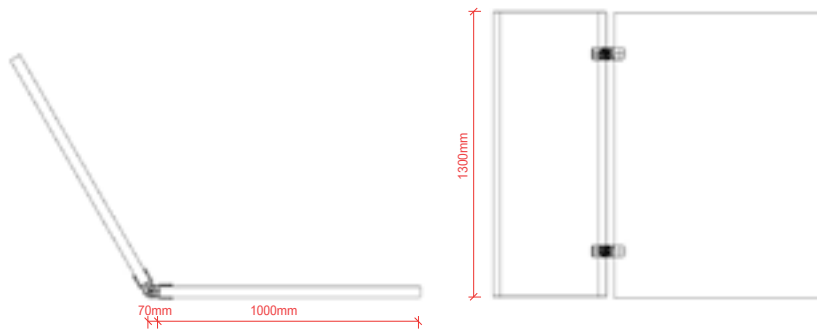


K56 - black green

Fabrics

All Drisag fabrics.

Dimensions









Lunar

design by Studio Yonoh



Product description

Hanging in the room, Lunar gives the space a unique look. Besides its beauty, it also has a positive impact on acoustics because of its tilting upholstered discs.

Technical information

- Acoustic disc: MDF, acoustic PU foam, non-removable upholstery
- Frame: Powder-coated metal rod
- Ceiling: Leather loop with eyelets, metal cables (1,5mm) and cable adjusters

Fabrics

Available in all Drisag fabric groups.

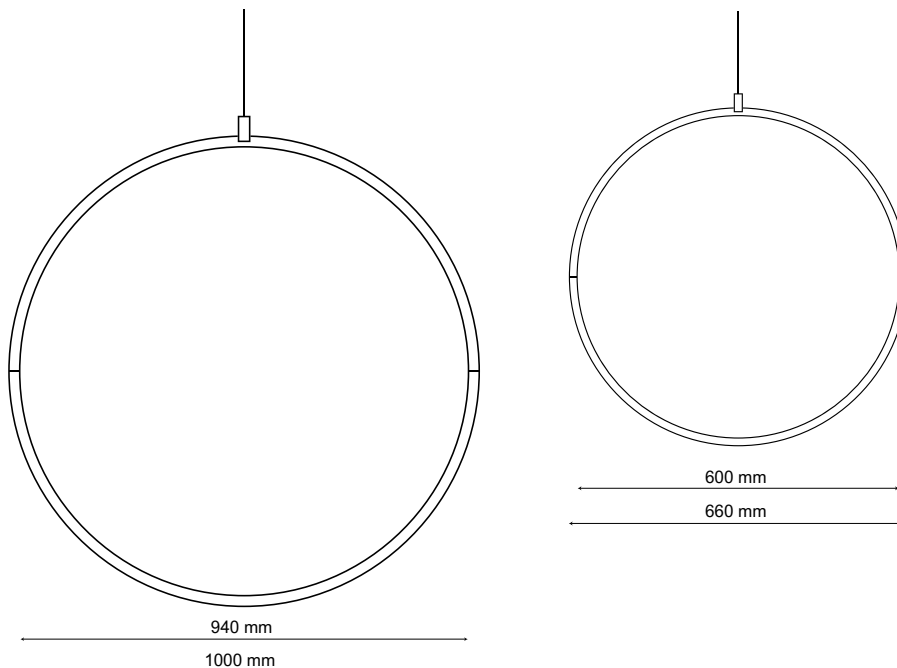
Metal colors

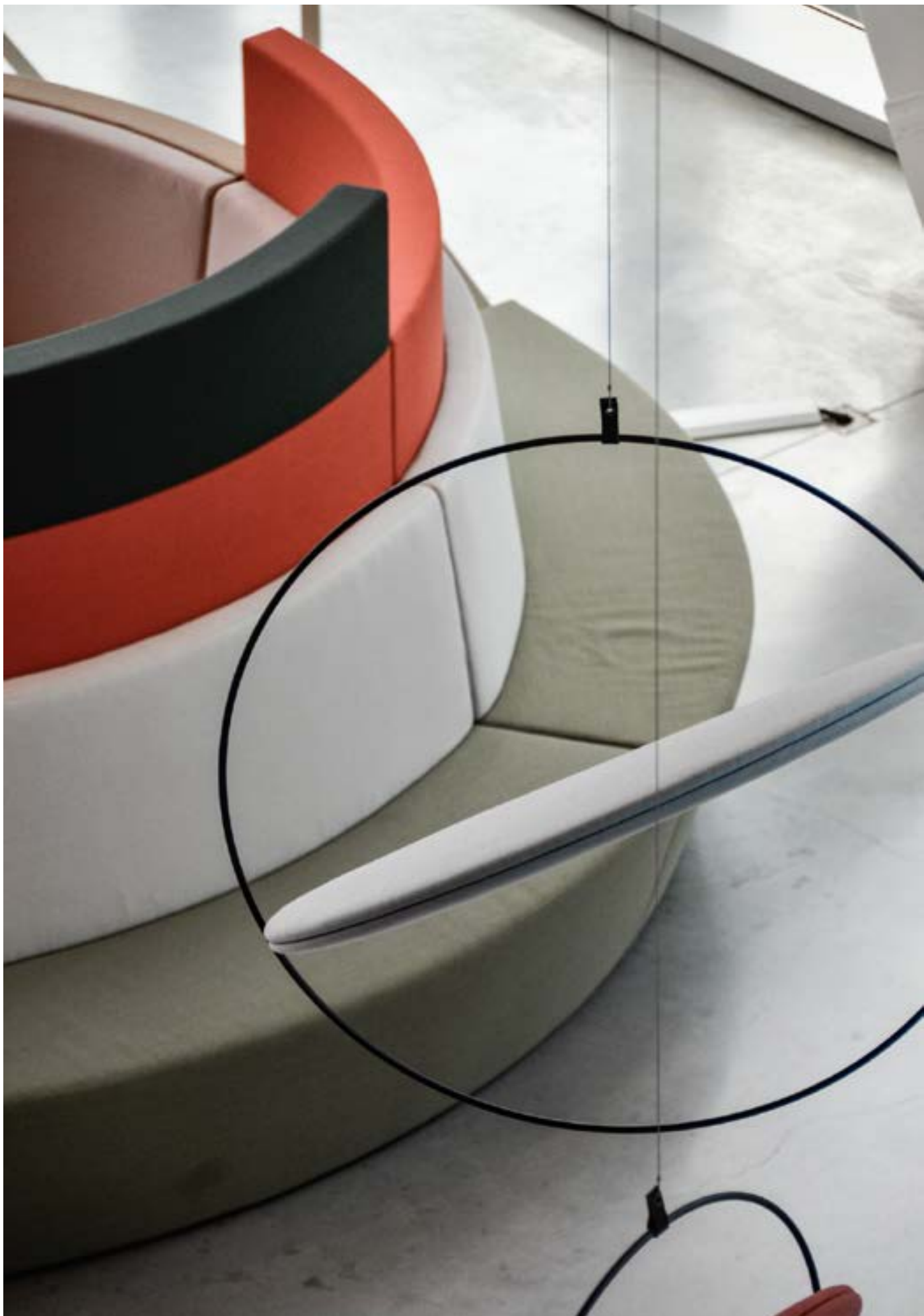
	K40 - black RAL9005		K53 - grey blue		K50 - rusty brown
	K41 - white RAL9010		K57 - pale green		K54 - beige red
	K58 - dark grey RAL7016		K52 - cement grey		K55 - coral red
	K51 - squirrel grey		K56 - black green		

Options

- Bi-color

Dimensions









Leaf

design by Sander Mulder



roomdivider

This manmade botanic intervention in your space, provides a pleasant visual roomdivider. Due to it's recycled PET felt leaves and their orientation it also has excellent acoustic qualities .

The user can manipulate the shape of each Leaf by re-arranging the felt parts, and create their own acoustic garden by combining and arranging Leafs into a setting.

Material

Recycled PET felt leaves, steel frame.

Packaging quantity

Sold individually.

Designer

Sander Mulder

Felt colors

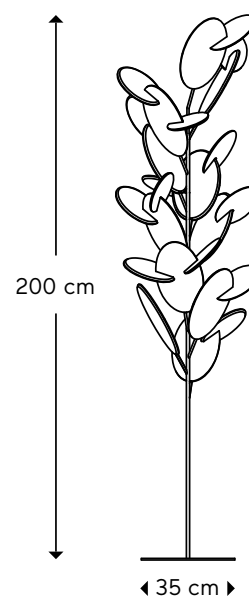
available in all felt colors, see color chart.

Frame color

white, micro structure powder coating.

black, micro structure powder coating.

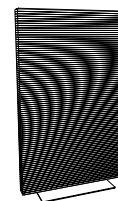
any RAL color available upon request.





Many floors

design by Inge Van Gheel



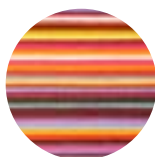
Product description

Divide your space with acoustic partition panels. Many Floors is composed of several layers of needle felt. A sustainable concept, and nice to look at too!

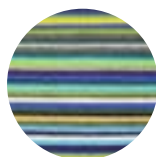
Technical information

Layers of 100% recycled, steel frame and removable anthracite powdercoated base.

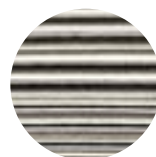
Fabrics



Red/Orange



Green/Blue



Black/White

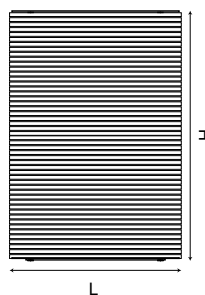
Metal colors



K58 - dark grey RAL7016

Dimensions

- L1100mm x H1800mm x 100mm
- L1100mm x H1400mm x 100mm
- L800mm x H400mm x 100mm



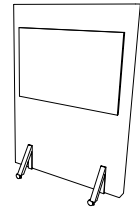






MediaWall

design by Drisag



Product description

Combining wheels, an acoustic partition screen and a television. Upgrade your workplace, waiting area or meeting room with this mobile acoustic element. You can choose from an incredible range of fabrics. In addition, they are provided with metal feet that are available in many colors.

Technical information

Metal frame, filled with acoustic foam and upholstered in a wide range of standard fabrics. The legs are made of powdercoated steel, provided with wheels (2 legs, 4 wheels). The MediaWall comes with universal tv bracket.

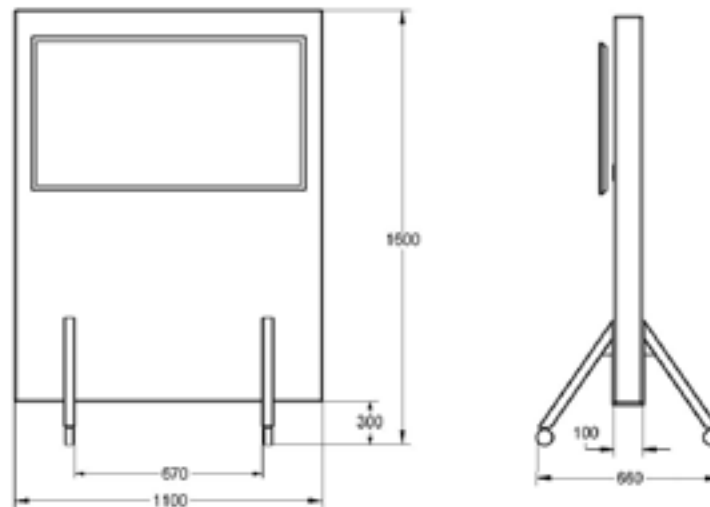
Fabrics

Available in all Drisag fabric groups.

Metal colors

	K40 - black RAL9005		K53 - grey blue		K50 - rusty brown
	K41 - white RAL9010		K57 - pale green		K54 - beige red
	K58 - dark grey RAL7016		K52 - cement grey		K55 - coral red
	K51 - squirrel grey		K56 - black green		

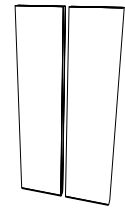
Dimensions





Moveable Acoustiwall

design by Drisag



Product description

With this acoustic wall, you can divide spaces without actual walls. It's an ideal asset for multipurpose workplaces, brainstorm and meeting rooms. Because a quick sketch is done quickly. Moreover, this wall can be taken down at one place and assembled again at another without causing damage to your floor or ceiling.

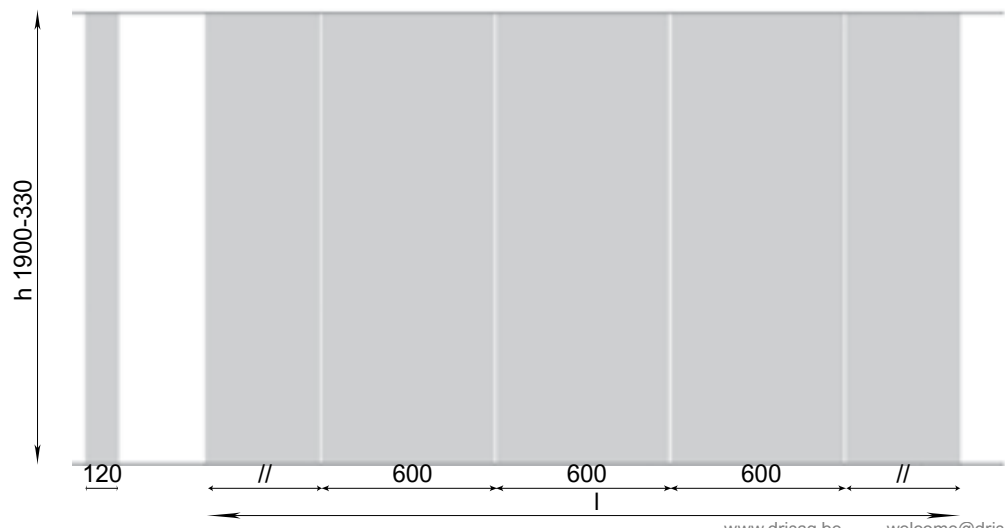
Technical information

The wall consists of galvanized profiles (thickness 0.8mm) covered with upholstered panels on the front, back and sides. These panels consist of MDF (thickness 4mm) with CM33 mousse (thickness 10mm) and are upholstered in the fabric of your choice. The panels are attached to the profiles with velcro.

Fabrics

Available in all Drisag fabric groups.

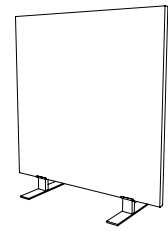
Dimensions





PartitionScreen

design by Drisag



Product description

Divide and rearrange rooms with these acoustic partition screens. Create workplaces, waiting areas, reading areas, and so much more. For upholstery you can choose from an incredible range of fabrics. In addition, they are provided with metal feet that are available in many colors. Easy to combine with the styling of your interior.

Technical information

Metal frame, filled with acoustic foam and upholstered in a wide range of standard fabrics. The legs are made of powdercoated steel.

Fabrics

Available in all Drisag fabric groups.

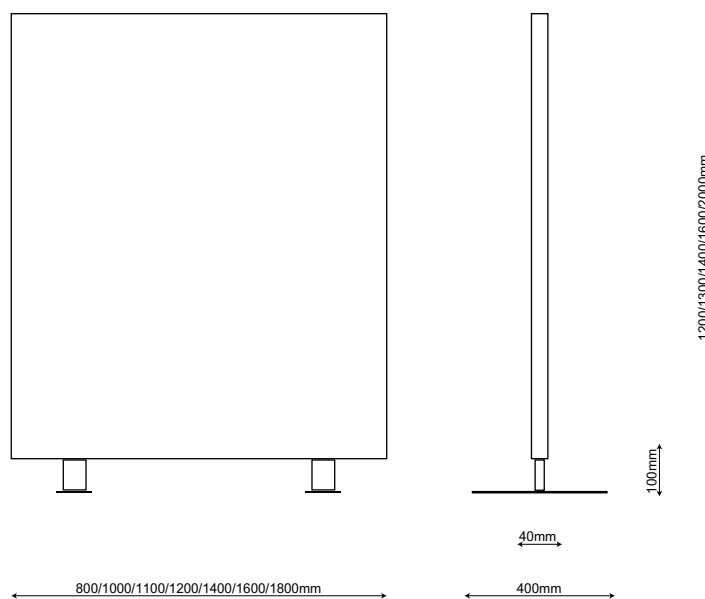
Metal colors



Dimensions

- B800 x H1200mm
- B800 x H1600mm
- B1000 x H1300mm
- B1000 x H1600mm
- B1000 x H2000mm
- B1100 x H1400mm
- B1200 x H1200mm
- B1200 x H1300mm
- B1200 x H1600mm
- B1200 x H2000mm
- B1400 x H1300mm
- B1600 x H1300mm
- B1800 x H1300mm

Dimensions



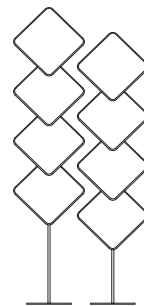






Shingle

design by Sander Mulder



roomdivider

Inspired by traditional roofs made out of wooden shingles, this intriguing roomdivider provides you with visual privacy and acoustic dampening.

The geometric shingles can easily be re-arranged in overlapping or spaced settings. And they can also be combined into curved walls, forming a snakeskin like texture.

Material

Recycled PET felt shingles, steel frame.

Packaging quantity

Sold in pairs (one high and one low shingle).

Designer

Sander Mulder

Felt colors

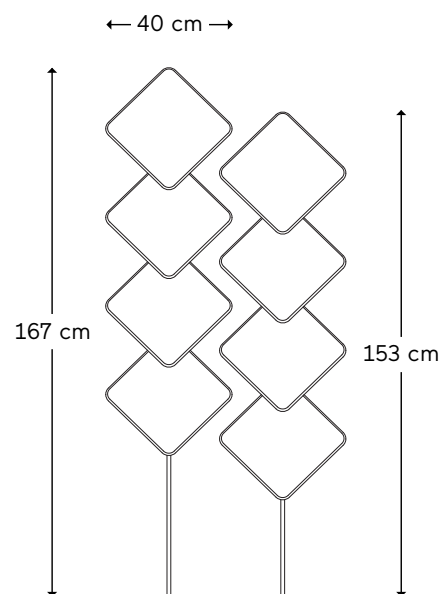
available in all felt colors, see color chart.

Frame color

white, micro structure powder coating.

black, micro structure powder coating.

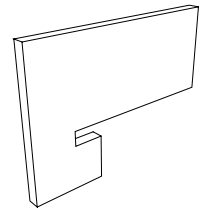
any RAL color available upon request.





SlideScreen

design by *Drisag*



Product description

Do you long for a little more privacy in your work environment. Turn a simple table or desk into a personal workplace by using our SlideScreens. You can easily slide them over the edge of your table top. Make sure that the thickness of the table top allows this and that there are no obstructions under the table top.

Technical information

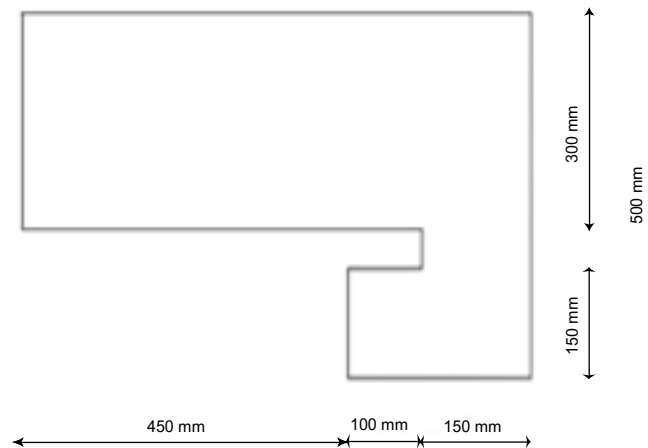
Solid wood and MDF frames covered in foam and upholstered in a wide range of standard fabrics.

Available for table thickness 18, 28, 38 or 40mm

Fabrics

Available in all Drisag fabric groups.

Dimensions







Lighting

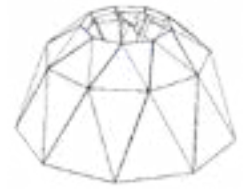
Complete your project by choosing the right lighting. The materials used in our lighting are often used in other Drisag products. This way you create an even more cohesive interior.





Carat

design by Sander Mulder



Product description

This well thought out lamp design is made of 9 identical pieces of felt and a powder-coated metal star. His presence takes any interior to a higher level. Available in different colors and two sizes, each with a black star and black electrification. This felt product also improves acoustics and is made from recycled PET bottles. Which means that he contributes to the circular economic strategy of drisag.

Metal colors



K40 - black RAL9005

Felt colors

Available in all Drisag felt colors.

Characteristics



Recycled & recyclable



Sound absorption



Fire retardant
Bs1 - 0d0

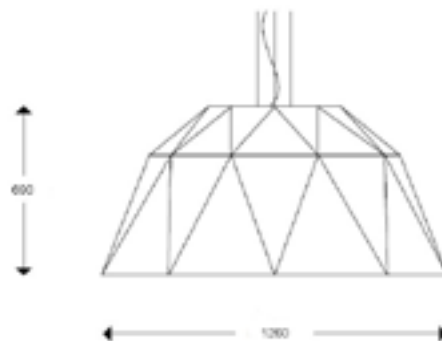
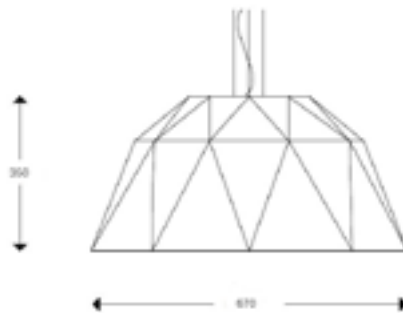


Made from
PET bottles



Usable as
a pin board

Dimensions





EXP Lamp

design by Drisag



Product description

This EXP casing gives atmosphere to any uninviting fluorescent lamp. Go for that little bit of extra charm in any room.

By choosing this product, you are cleaning up the ocean together with Drisag.

Technical information

- Lightsource: LED TL light included
- Extra: Equipped with 2m black cable with black ceiling cap

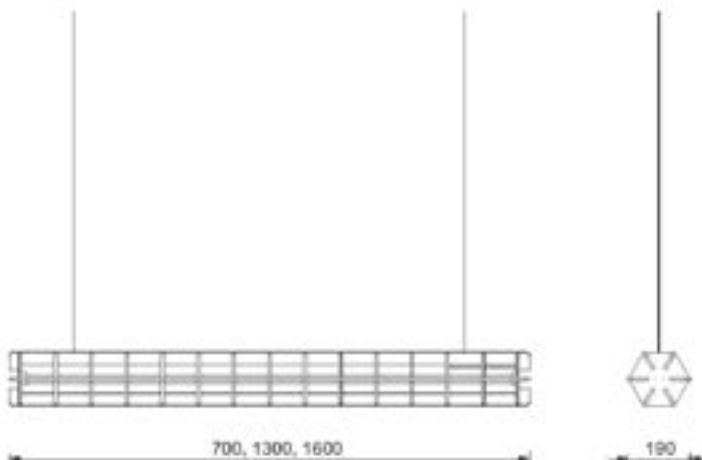
Felt colors

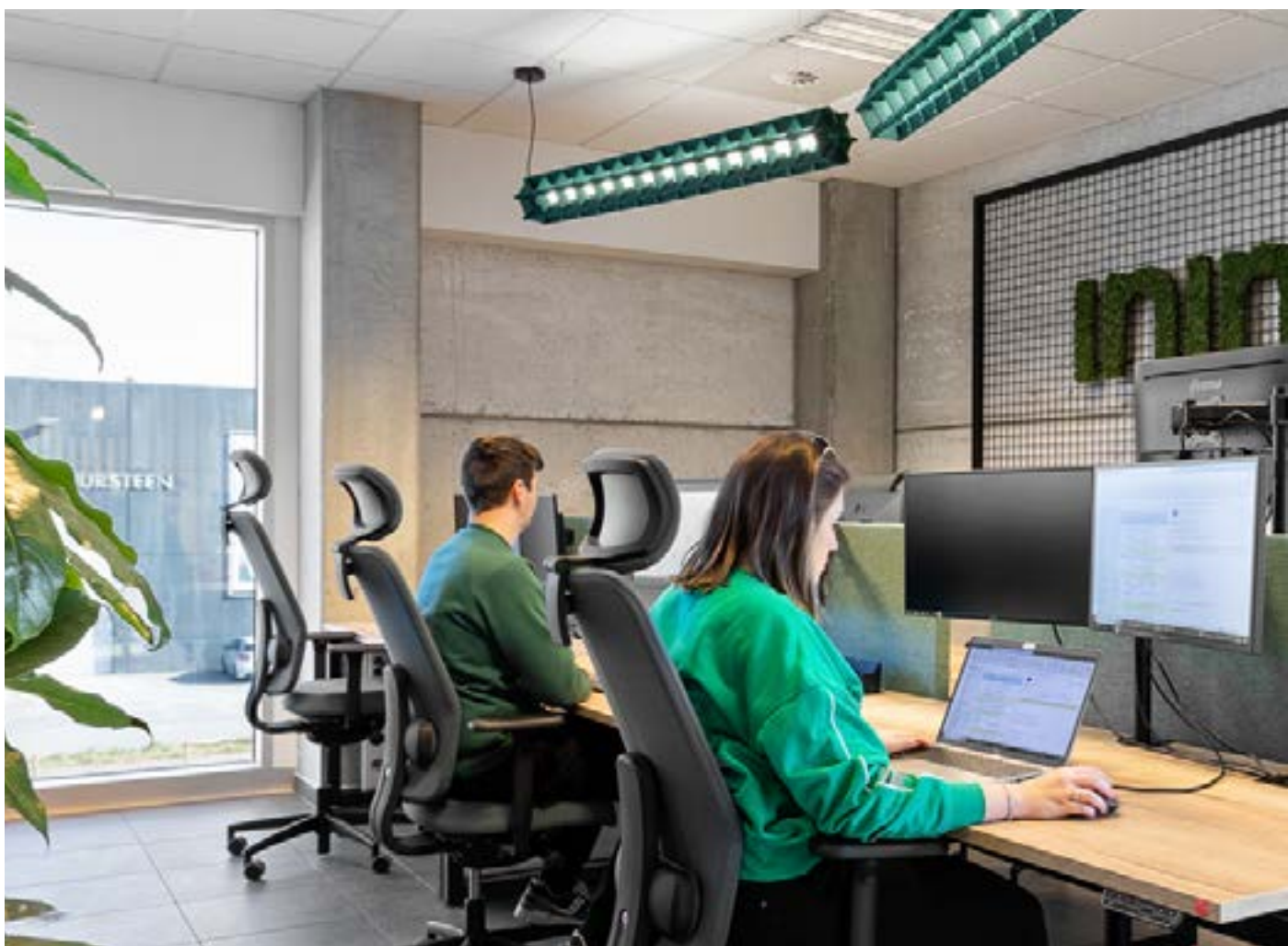
Available in all Drisag felt colors.

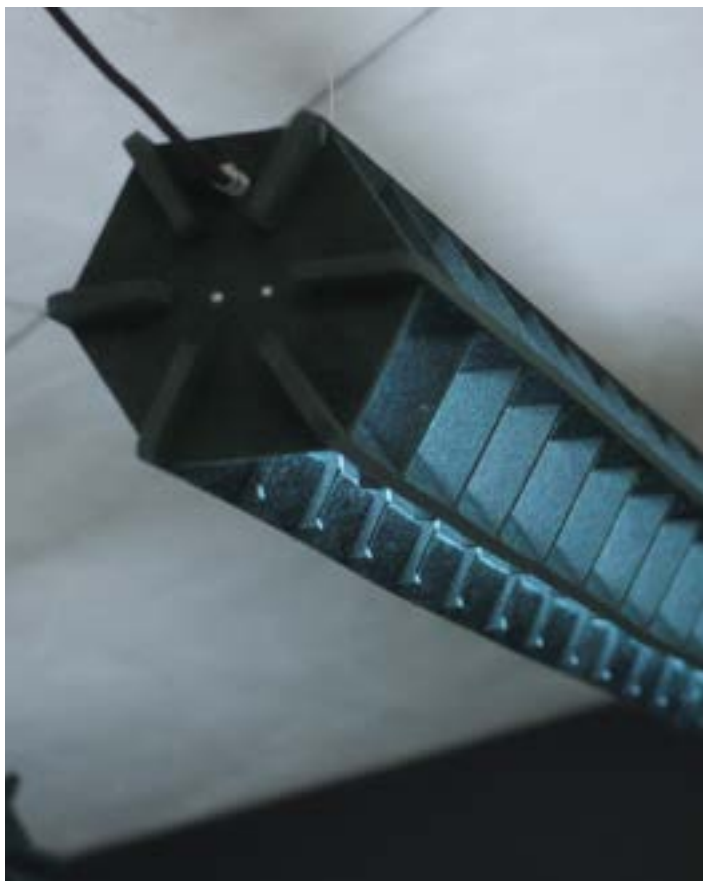
Characteristics

				
Recycled & recyclable	Sound absorption	Fire retardant Bs1 - 0d0	Made from PET bottles	Usable as a pin board

Dimensions









Ribs

design by Drisag



Product description

A unique lamp made from recycled material. Do you want to illuminate your space in an extra ecological way? Then these lamps are a perfect choice!

Technical information

- lightbulb: LED A60 Milky 8W E27 4000K
- cord: 50cm - 100cm - 200cm with black sleeve
- lumen: 1055 lm
- range: 2 m² /Lamp
- quality mark CE-mark

Felt colors

Available in all Drisag felt colors.

Characteristics



Recycled & recyclable



Sound absorption



Fire retardant
Bs1 - 0d0



Made from
PET bottles



Usable as
a pin board

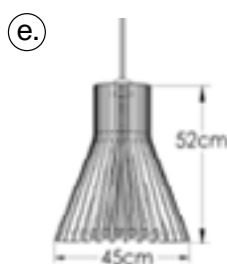
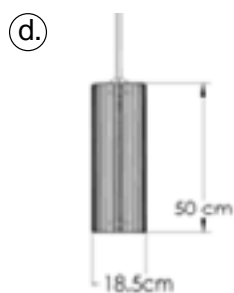
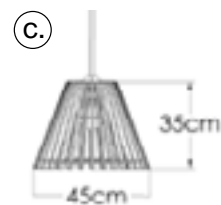
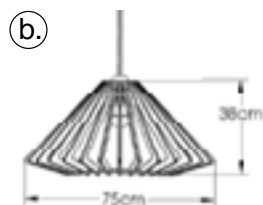
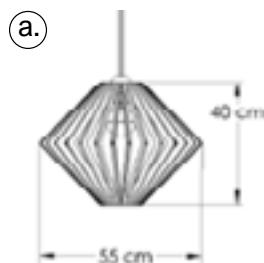
Metal colors



K40 - black RAL9005

Dimensions

- Bead
- Diamond
- Cone
- Cylinder
- Funnel







Seating

Enjoy optimal comfort. Relax all day in a chair that meets all your wishes. Employees can fully concentrate and visitors are immediately impressed. Combine beautiful fabrics and create a unique appearance that matches the image of your company. From small stools to large sofas to certified ergonomic office chair, we have it all.





Allure

design by Drisag



Product description

Comfort meets elegance. A simple chair at first sight, but this chair has much more to offer. It can be used as an office chair because it offers you a dynamic seat due to its integrated and well-hidden mechanism.

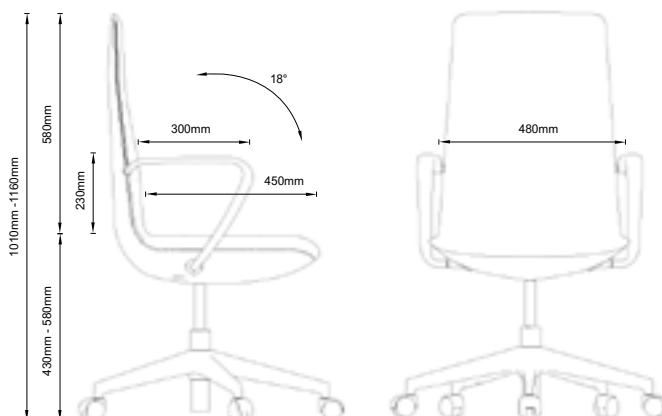
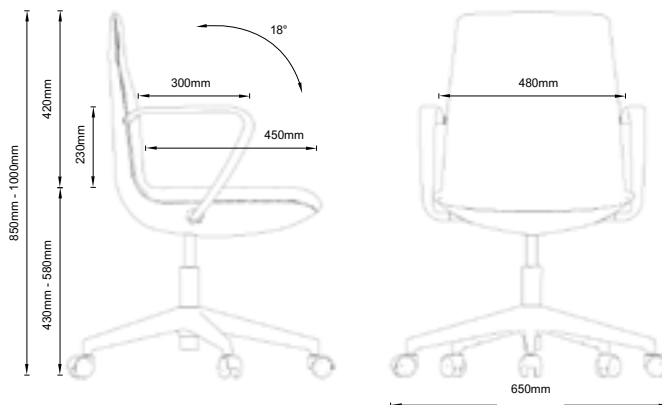
Technical information

- Backrest & seat:
 - high or low back
 - integrated lumbar support
 - integrated levers (cable activated)
 - fully upholstered
- Armrests: powder coated (black) or polished aluminium (armrest and base always the same finish)
- Mechanism: Weight-activated synchronized mechanism & backrest angle limiter in 3 positions
- Base: powder coated (black) or polished aluminium (armrest and base always the same finish)
- Castors: 65mm, soft

Fabrics

Available in all Drisag fabric groups.

Dimensions









Charlie CH44

design by *Drisag*



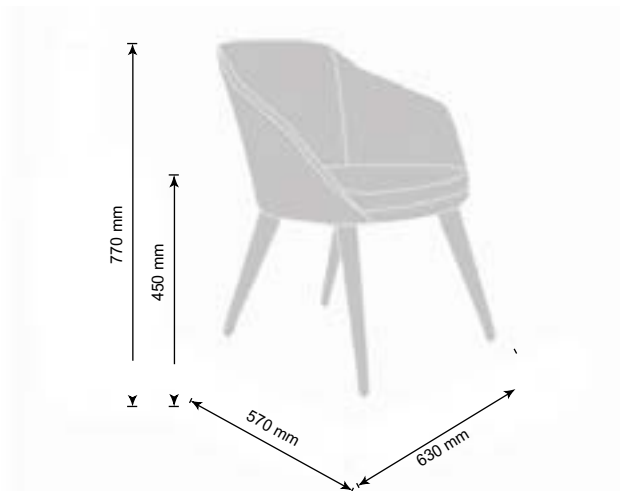
Product description This version of charlie comes with an ash wood base. It immediately gives the room a cosy feel.

Technical information

- Base: solid ashwood, felt glides
- Seat: upholstery

Fabrics Available in all Drisag fabric groups.

Dimensions









Charlie CH51

design by *Drisag*



Product description

We extended the Charlie Chair family by creating a versatile version with a swivel base on castors. The seating height is adjustable and tilts for a more active sitting position.

Technical information

- Castors: 50mm, hard/soft or glides.
- Base: powdercoated or chrome
- Mechanisms: height-adjustable tilt mechanism, not lockable.
- Seat: upholstery

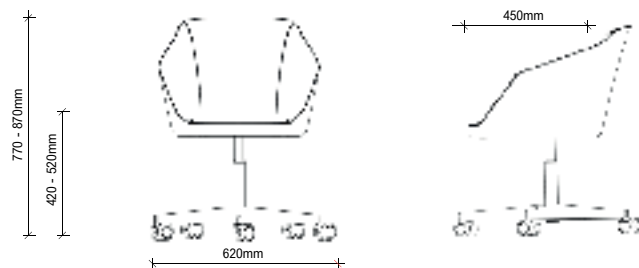
Fabrics

Available in all Drisag fabric groups.

Metal colors



Dimensions









Charlie CH61

design by *Drisag*



Product description

This lounge chair is lower and wider than the Charlie chairs. Thanks to the round shape, you have the feeling that you are being embraced.

Technical information

- Base: powder coated or polished chrome steel
- Seat: plywood seat, fully upholstered

Fabrics

Available in all Drisag fabric groups.

Metal colors

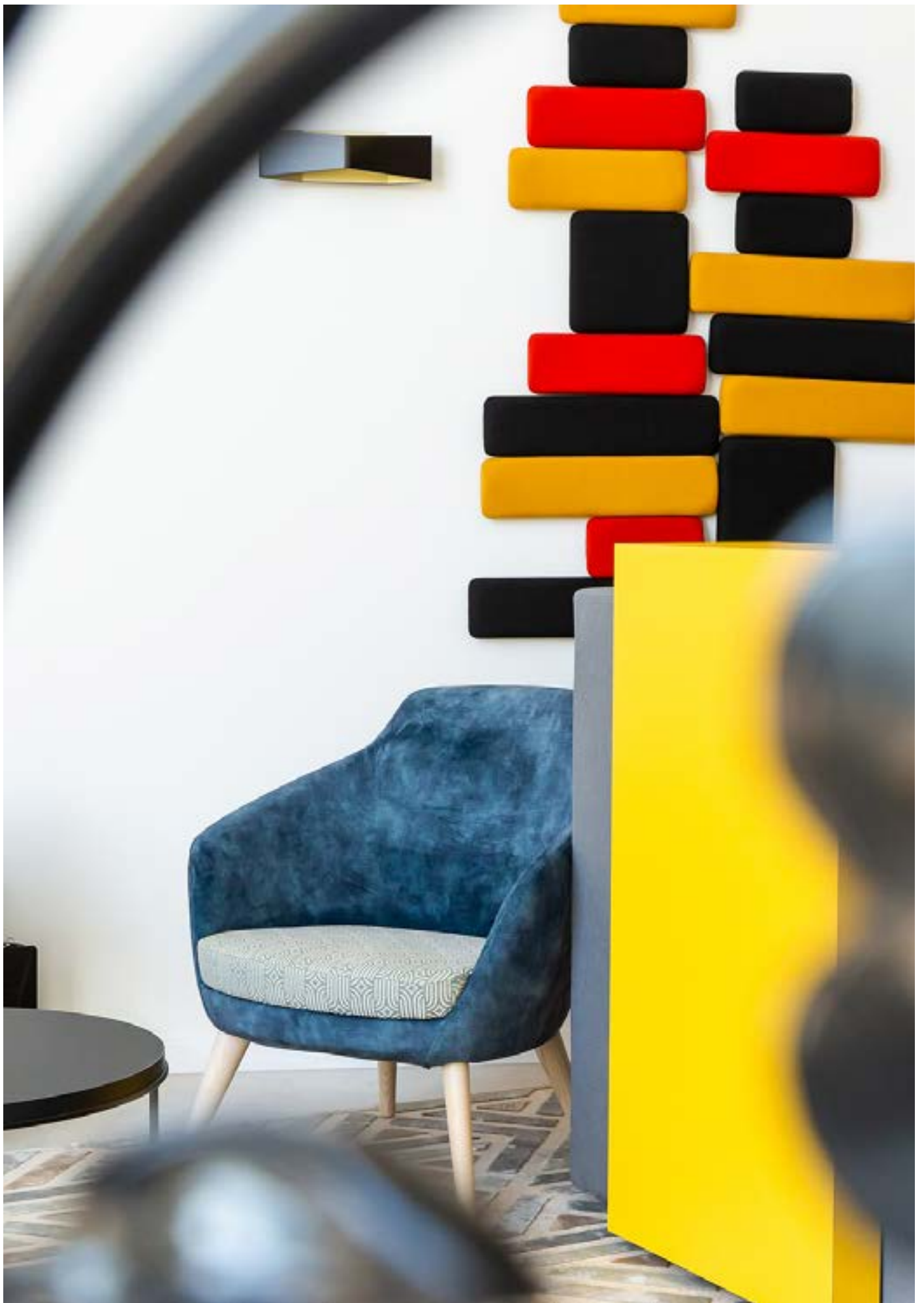
 K40 - black RAL9005	 K53 - grey blue	 K50 - rusty brown
 K41 - white RAL9010	 K57 - pale green	 K54 - beige red
 K58 - dark grey RAL7016	 K52 - cement grey	 K55 - coral red
 K51 - squirrel grey	 K56 - black green	 chrome

Dimensions









Charlie CH64

design by *Drisag*



Product description

This lounge chair is lower and wider than the Charlie chairs. Thanks to the round shape, you have the feeling that you are being embraced.

Technical information

- Base: solid ashwood, felt glides
- Seat: plywood seat, fully upholstered

Fabrics

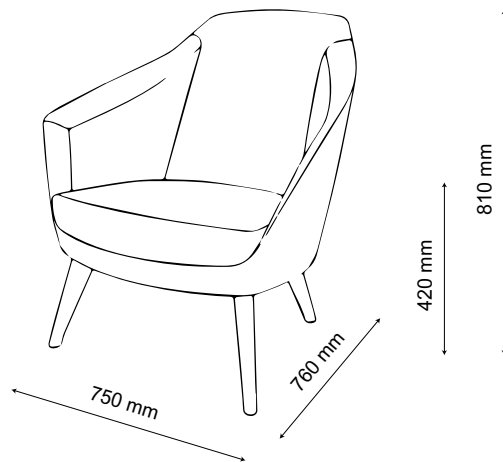
Available in all Drisag fabric groups.

Wood type

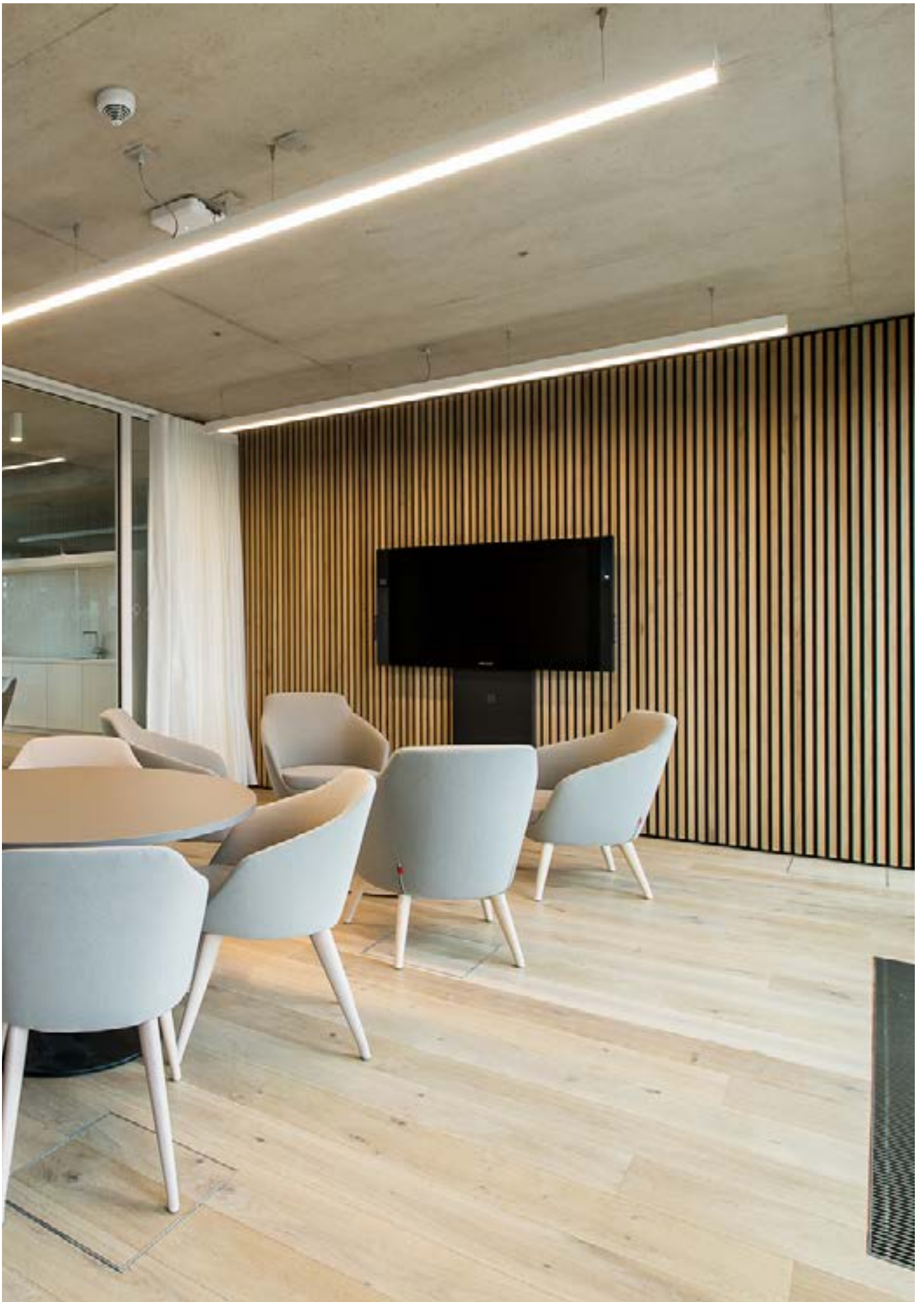


White stained
ash

Dimensions









Club CL11

design by *Drisag*



Product description

Whatever you are looking for in a chair, our Club has it all! From project chair to waiting bench to bar stool, we offer a range of bases that can be powder coated in many different colors. You can choose from an upholstered seat, an HPL seat or a combination of both, everything is possible!

Technical information

- Base: sled base, 19mm steel tube on glides
- Armrests: soft grip

Fabrics

Available in all Drisag fabric groups.

HPL colors (No upholstery)



HPL - Graphite black



HPL - Polar white



HPL - Red

Metal colors



K40 - black RAL9005



K53 - grey blue



K50 - rusty brown



K41 - white RAL9010



K57 - pale green



K54 - beige red



K58 - dark grey RAL7016



K52 - cement grey



K55 - coral red



K51 - squirrel grey



K56 - black green

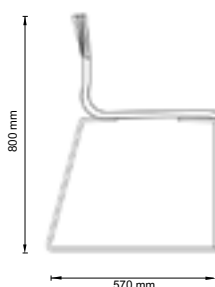
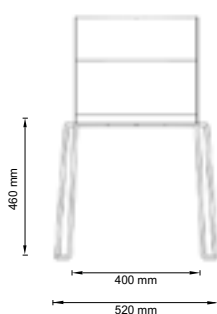


chrome

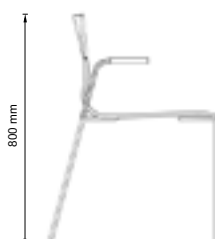
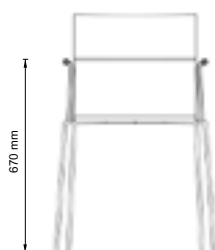
Options

- Connectable
- Chair numbering
- Stacking-trolley

Dimensions CL11



CL11A









Club CL12

design by *Drisag*



Product description

Whatever you are looking for in a chair, our Club has it all! From project chair to waiting bench to bar stool, we offer a range of bases that can be powder coated in many different colors. You can choose from an upholstered seat, an HPL seat or a combination of both, everything is possible!

Technical information

- Base: sled base, 19mm steel tube on glides
- Armrests: soft grip

Fabrics

Available in all fabric groups.

HPL colors (No upholstery)



HPL - Graphite black



HPL - Polar white



HPL - Red

Metal colors



K40 - black RAL9005



K53 - grey blue



K50 - rusty brown



K41 - white RAL9010



K57 - pale green



K54 - beige red



K58 - dark grey RAL7016



K52 - cement grey



K55 - coral red



K51 - squirrel grey



K56 - black green

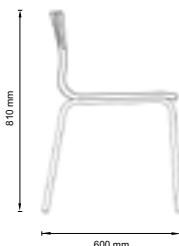
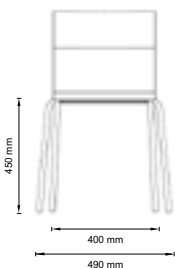


chrome

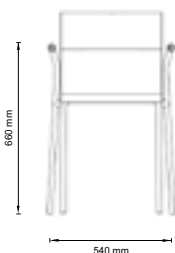
Options

Stacking-trolley

Dimensions CL12



CL12A









Club CL23

design by *Drisag*



Product description

Whatever you are looking for in a chair, our Club has it all! From project chair to waiting bench to bar stool, we offer a range of bases that can be powder coated in many different colors. You can choose from an upholstered seat, an HPL seat or a combination of both, everything is possible!

Technical information

- Base: cantilever base, 25mm steel tube on glides
- Armrests: soft grip

Fabrics

Available in all Drisag fabric groups.

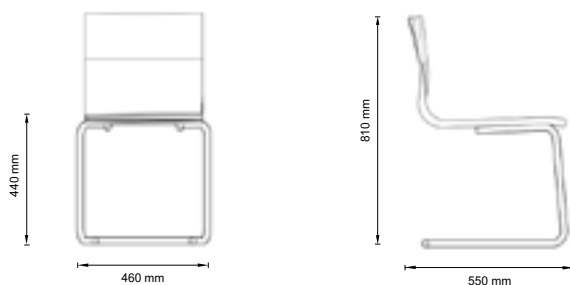
Metal colors

	K40 - black RAL9005		K53 - grey blue		K50 - rusty brown
	K41 - white RAL9010		K57 - pale green		K54 - beige red
	K58 - dark grey RAL7016		K52 - cement grey		K55 - coral red
	K51 - squirrel grey		K56 - black green		chrome

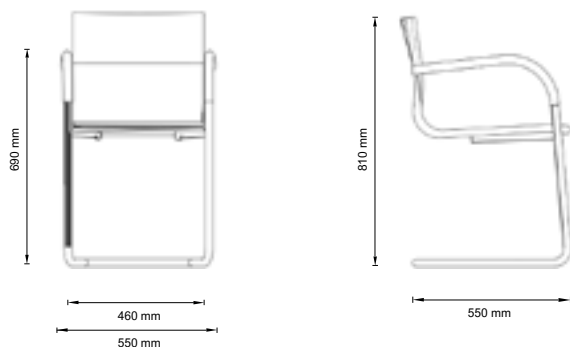
Options

- Stacking-trolley
- Bi-color

Dimensions CL23



CL23A









Club CL51

design by *Drisag*



Product description

The Club on wheels is the perfect chair for any meeting room. With or without armrests, this elegant and stylish chair is the ideal partner for any table. Thanks to its height adjustment, the chair is suitable for every employee.

Technical information

- Castors: Lorem ipsum dolor sit amet, consectetur adipiscing elit.
- Base: Powder coated aluminum base.
- Backrest: Fully upholstered in fabric, leather or artificial leather or multiplex backrest covered with HPL.
- Seat: Fully upholstered in fabric, leather or artificial leather or only seat upholstered.

Fabrics

Available in all Drisag fabric groups.

HPL colors (No upholstery)



HPL - Graphite black



HPL - Polar white



HPL - Red

Metal colors



K40 - black RAL9005



K53 - grey blue



K50 - rusty brown



K41 - white RAL9010



K57 - pale green



K54 - beige red



K58 - dark grey RAL7016



K52 - cement grey



K55 - coral red



K51 - squirrel grey



K56 - black green

Options

Soft grip armrests.







Club bench

design by *Drisag*



Product description

With the Club waiting bench you can seat your customers in a pleasant way. The bench is ideal for any space and suits all interiors.

Technical information

- Base: Powder coated metal, 4 legs or T legs.
- Seat: Upholstered seat, an HPL seat or a combination of both.
- Armrests: Soft grip.

Fabrics

Available in all Drisag fabric groups.

HPL colors (No upholstery)



HPL - Polar white

Metal colors



K40 - black RAL9005



K53 - grey blue



K50 - rusty brown



K41 - white RAL9010



K57 - pale green



K54 - beige red



K58 - dark grey RAL7016



K52 - cement grey



K55 - coral red



K51 - squirrel grey



K56 - black green

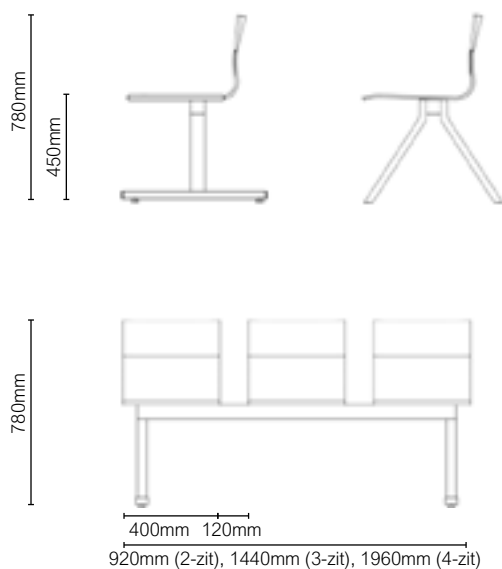


chrome

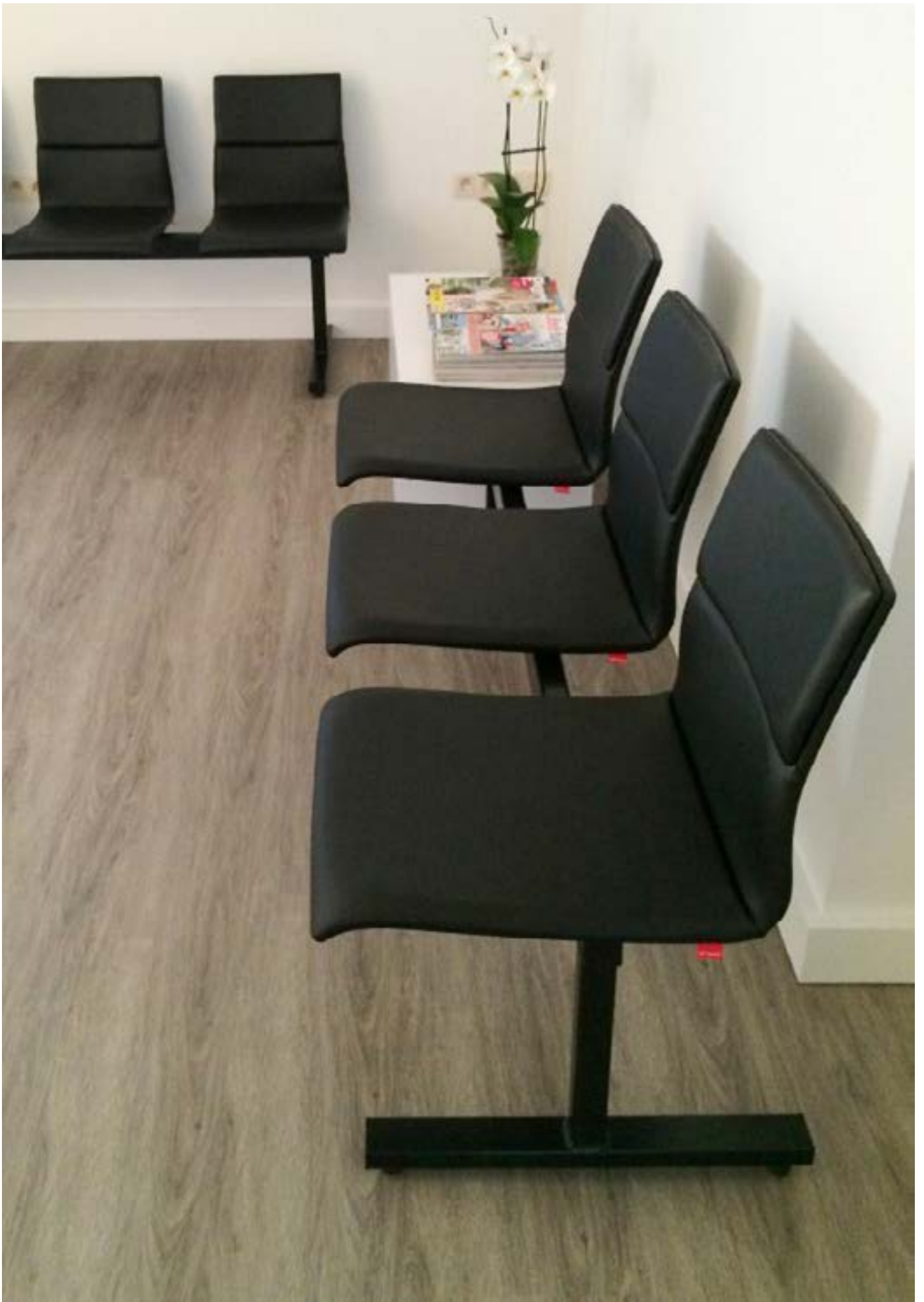
Options

Melamine white table top.

Dimensions









Club BK

design by *Drisag*



Product description

The Club bar stool is a good choice if you are looking for a high chair that looks professional and still sits comfortably. Due to the possibilities in powder coat colors, this chair always fits in your current or future interior.

Technical information

- Base: Powdercoated metal frame made out of metal rods, equipped with glides.
- Seat: Unupholstered plywood beech covered with HPL or seat upholstered, backrest plywood beech upholstered with HPL.

Fabrics

Available in all Drisag fabric groups.

HPL colors (No upholstery)



HPL - Polar white

Metal colors



K40 - black RAL9005



K53 - grey blue



K50 - rusty brown



K41 - white RAL9010



K57 - pale green



K54 - beige red



K58 - dark grey RAL7016



K52 - cement grey



K55 - coral red



K51 - squirrel grey

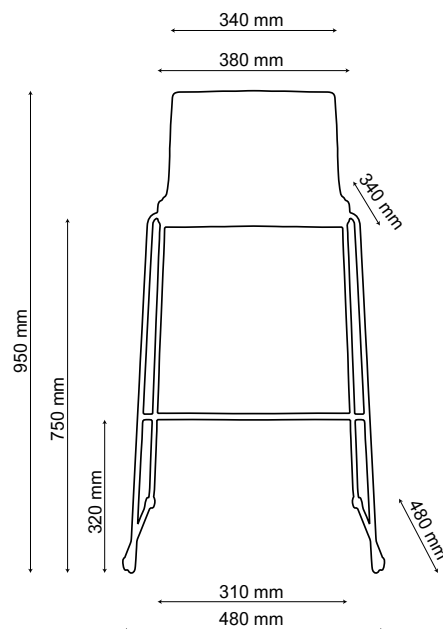


K56 - black green



chrome

Dimensions









Econic

design by Drisag



Product description

In a world where adaptability is becoming an ever-increasing asset, our Drisag design team developed an office chair which fits any user or working environment. Drisag focus on disassembly, replaceability and reusability. This without sacrificing any comfort. The design of the j-bar is so versatile that new designs can emerge for many years to come.

Technical information

- Backrest: Powdercoated black metal frame.
 1. low 430mm
 2. medium 530mm
 3. high 630mm
 4. high with necksupport 830mm



- Backrest upholstery: 60% Polyester / 34% Schurwolle / 6% polyamid
- Backrest cover: Upholstered replaceable cover
- J-bar: Polyamide, with integrated lumbar support adjustment system and Drisag lable doming sticker
- Lumbar support: Height adjustable, polyamide base with PU foam and upholstery
- Armrests: 4D adjustable (height, width and depth)
360 ° rotatable textured PU arm pads
 1. straight (black polyamide)
 2. angled (black polyamide)
 3. no armrests



- Seat: Upholstered PU foam, adjustable seat depth
- Mechanism:
 1. synchro multi tilt mechanism, manual tension adjustment (M82)
 2. weight-activated synchro multi tilt mechanism (M12)
 3. weight-activated synchro multi tilt mechanism, integrated levers (M83)





Technical information

- Gas spring:
 - Stepless seat height adjustment, with suspension in the lowest position, safety gas spring with top control.
 - 1. Gas spring 435 - 560mm
 - 2. High gas spring 560 - 700mm
 - 3. Extra high gas spring with ALU footrest 620 - 880mm



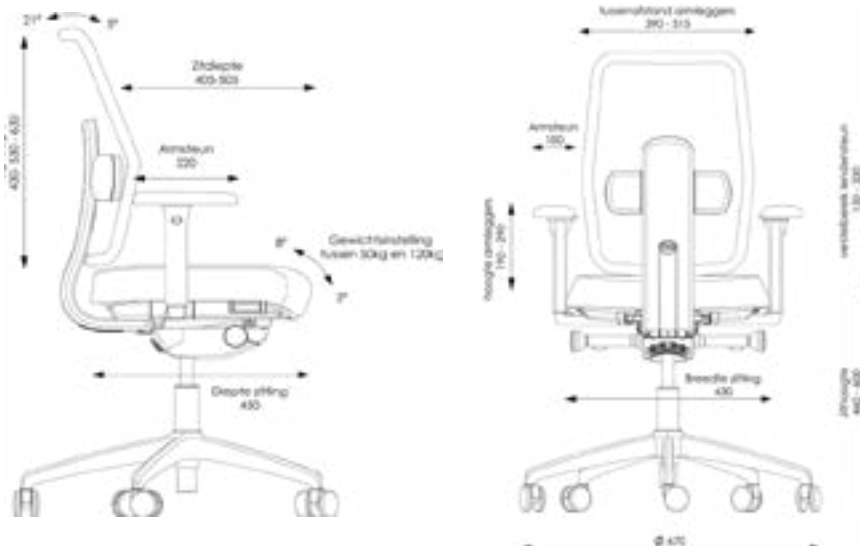
- Base:
 - 1. Ø 670mm, black polyamide
 - 2. Ø 670mm, ALU



- Castors:
 - 60mm, hard
 - 60mm, soft

Fabrics Available in all Drisag fabric groups.

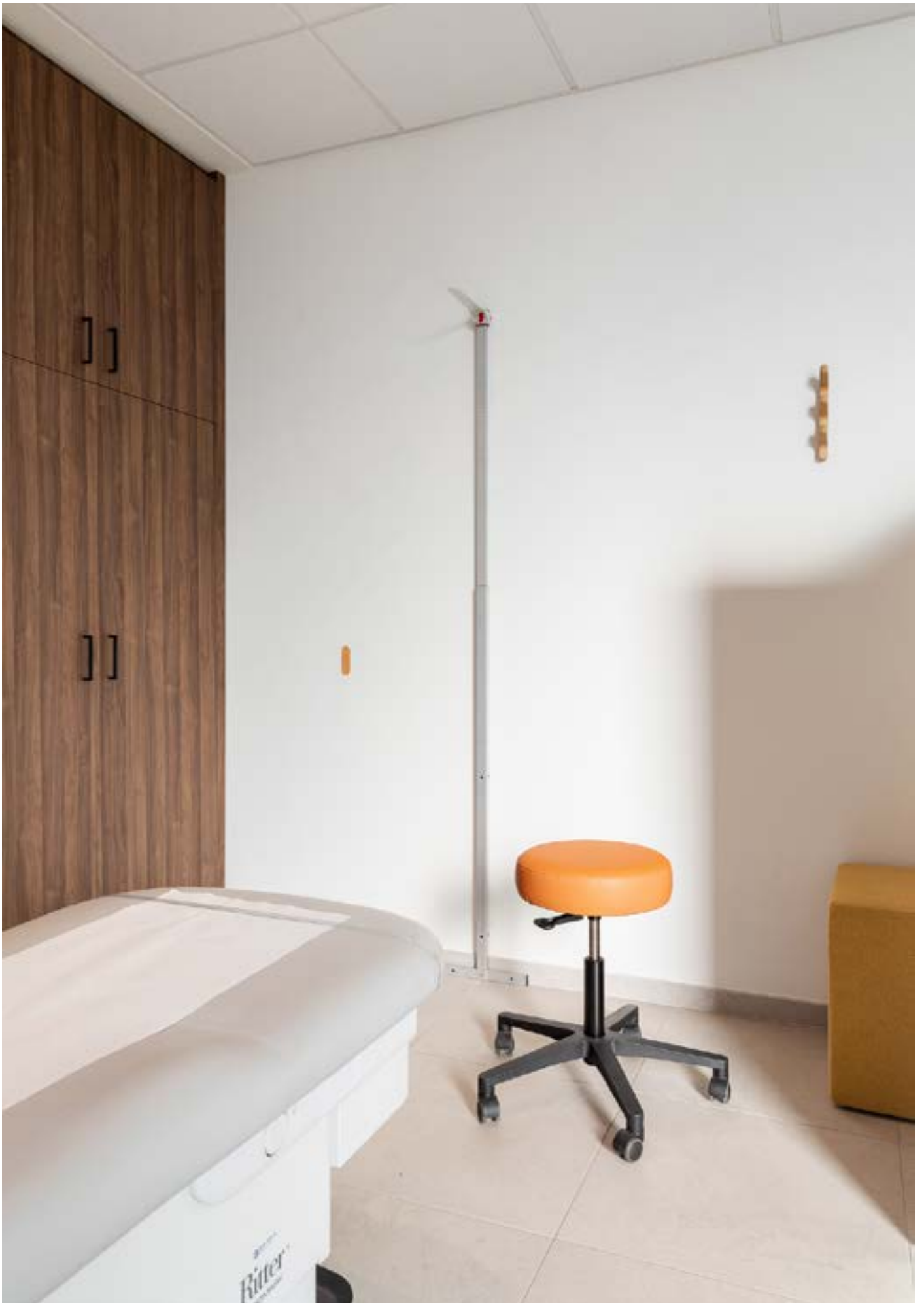
Dimensions











Factory stool

design by *Drisag*



Product description

Simple and effective. The height-adjustable Factory ranges are the perfect addition to your workshop or laboratory.

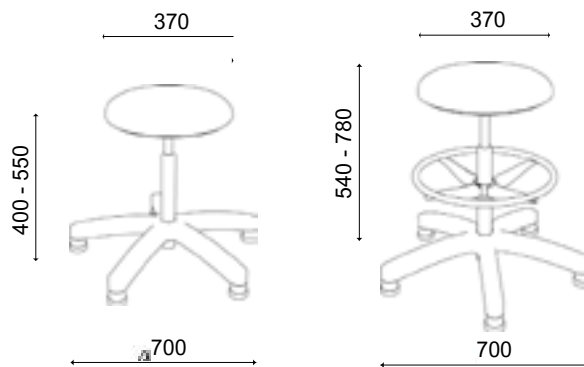
Technical information

- Castors: 50mm, hard (Standard)
- Base: black polyamide (Standard), black or polished aluminium*
- Seat: PU, beechwood or upholstered
- Upholstery: fabric, artificial leather

Options

- Castors: hard, soft & antistatic or glides
- Base: black or polished aluminium
- Base: High base with foot support

Dimensions





Factory chair

design by *Drisag*



Product description

Simple and effective. The height-adjustable Factory chairs are the perfect addition to your workshop or laboratory.

Technical information

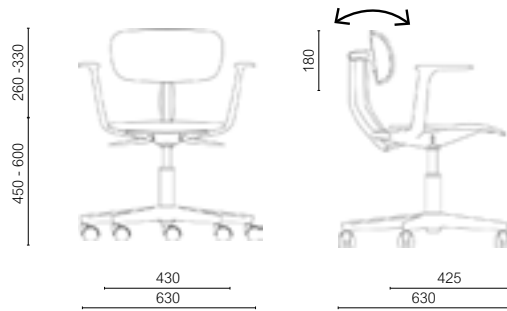
- Castors: 50mm, hard (Standard)
- Base: Height adjustable, black epoxy coated aluminium
630mm foot (5 arms)
- Mechanism: Adjustable seat angle (incl. active working position)
- Seat: PP seat, with 35mm PU foam when upholstered
- Backrest: PA base plate, integrated height adjustment, PP liner, 30mm PU foam, upholstered
- Upholstery: fabric, artificial leather

Options

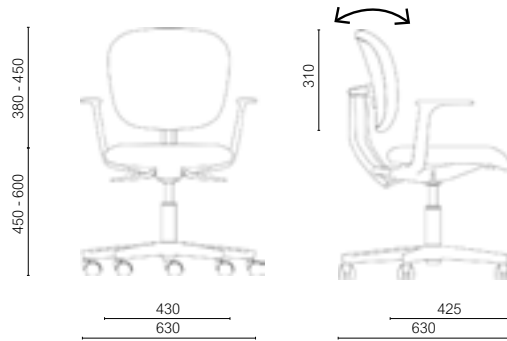
- Castors: soft & antistatic or glides
- Armrests: Fixed armrests
- Backrest: High or low backrest, low version available without upholstery
- Base: High base with foot support
- Seat: Flexible upholstered seat (saddle seat)



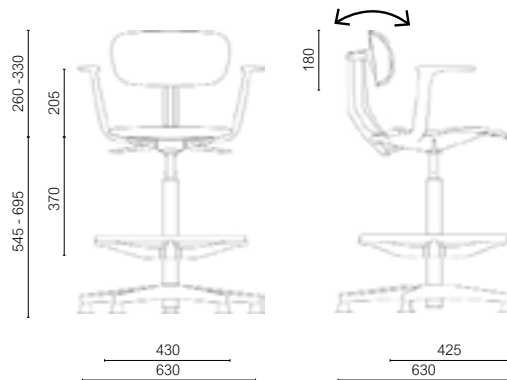
Dimensions
FA11



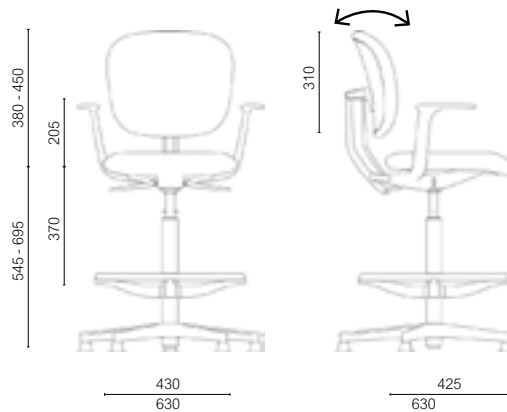
FA41



FA14



FA44

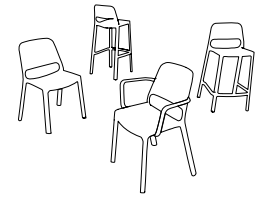






Johan & Johansson

design by Drisag



Product description

A stackable project chair for inside and out. This 4 leg plastic chair comes in 4 versions with armrests (Johan) and without (Johansson) and two bar stools.

Polypropylene colors chair



Snowball



Coral bay



Sunsplash

Polypropylene colors barstool



Snowball



Coral bay

Dimensions

- Johan
- Johansson
- Johansson barstool MidHigh (for table height 900mm)
- Johansson barstool High (for table height 1100mm)

(a)



(b)



(c)



(d)



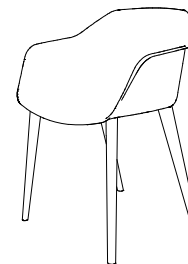






Koda KO12

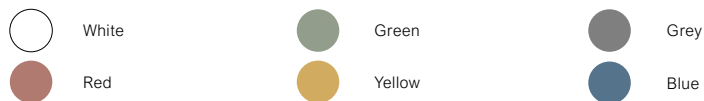
design by Drisag



Product description Koda offers a range of non-stackable project, meeting, canteen bucket chairs. Mix & match for a complete look.

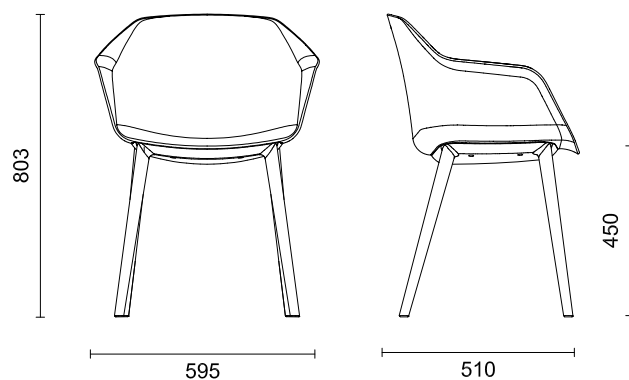
- Technical information**
- Base: polypropylene 4-legged base (dia. 16mm) with plastic plug-in caps.
 - Seat: polypropylene seat
 - * Upholstery: 5mm PU foam, fabric cover with zipper
*optional

**Polypropylene colors
(No upholstery)**



Fabrics Available in all Drisag fabric groups.

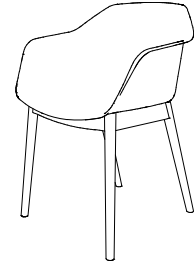
Dimensions





Koda KO12H

design by Drisag



Product description Koda offers a range of non-stackable project, meeting, canteen bucket chairs. Mix & match for a complete look.

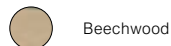
- Technical information**
- Base: Beechwood four-legged base, fitted with felt feet.
 - Seat: polypropylene bucket seat
 - * Upholstery: 5mm PU foam, fabric cover with zipper
*optional

**Polypropylene colors
(No upholstery)**

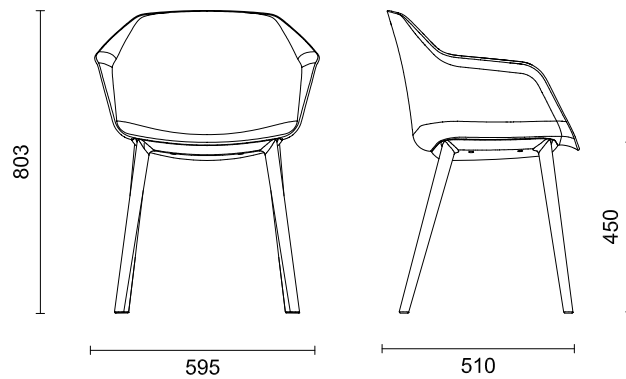


Fabrics Available in all Drisag fabric groups.

Wooden base colors



Dimensions





Koda KO51

design by Drisag



Product description

Koda offers a range of non-stackable project, meeting, canteen bucket chairs. Mix & match for a complete look.

Technical information

- Castors: 60mm, hard/soft or glides.
- Base: powdercoated
- Mechanisms: height-adjustable tilt mechanism, not lockable.
- Seat: polypropylene seat
- * Upholstery: 5mm PU foam, fabric cover with zipper
*optional

Polypropylene colors (No upholstery)



White



Green



Grey



Red



Yellow

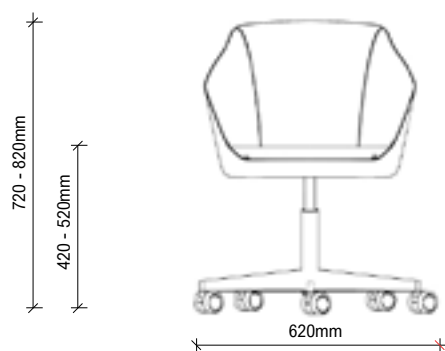


Blue

Fabrics

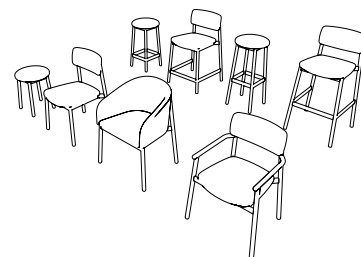
Available in all Drisag fabric groups.

Dimensions



Modest

design by Drisag



Product description Simple, timeless and modest design that fits into any interior. Conceived from a disassembly principle.

- Technical information**
- Seat (& backrest): Plywood shell, removable upholstery
 - Frame: 30mm round steel tube inner structure, powdercoated, felt or plastic glides.

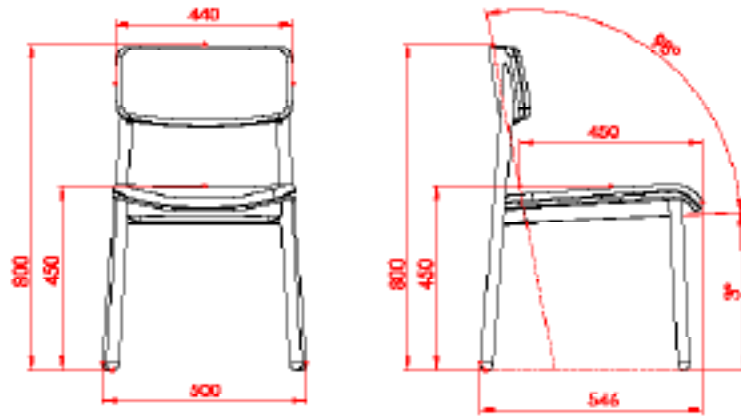
Metal colors



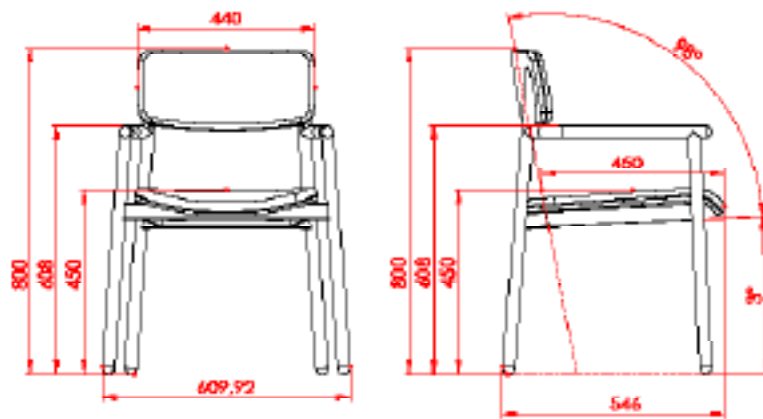
Fabrics Available in all Drisag fabric groups.



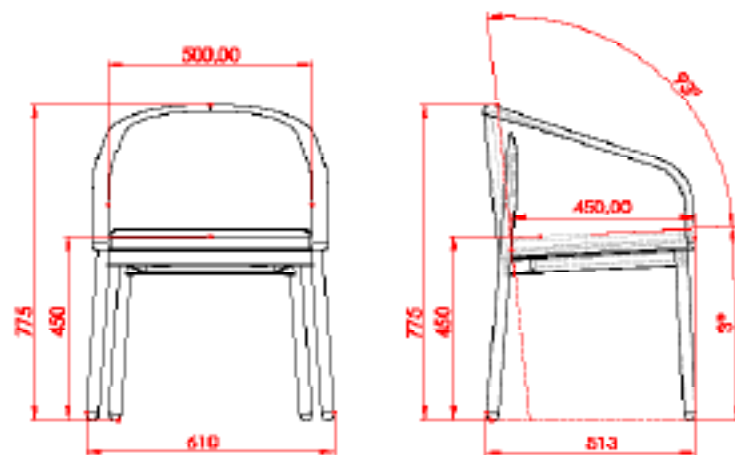
Dimensions
Chair



Armchair

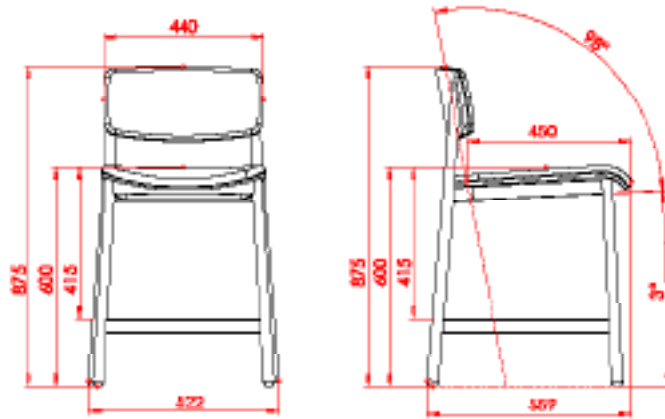


Bucket seat

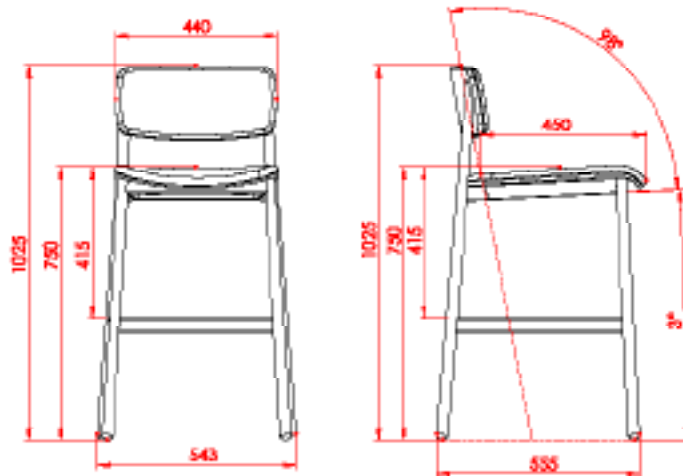




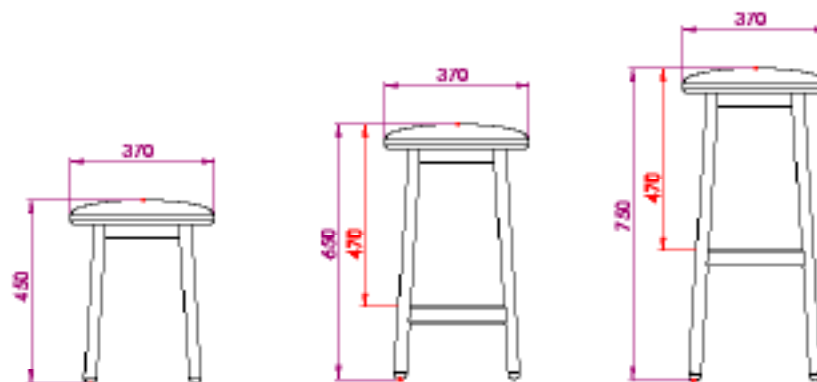
Bar chair
(for table height 90cm)



Bar chair
(for table height 110cm)



Stool
(for table height 75cm-90cm-110cm)





Multibull

design by Koen Vanmechelen



Product description

These unique chairs are part of the new project, SOTWA by Koen Vanmechelen. This chair integrates the tanned hides of the project's cattle. This limited-edition collection consists of 12 unique chairs designed by Koen Vanmechelen. A maximum of 12 pieces are produced of each chair. Multibull can only be purchased from Koen Vanmechelen's studio and Drisag Office Inspirators.

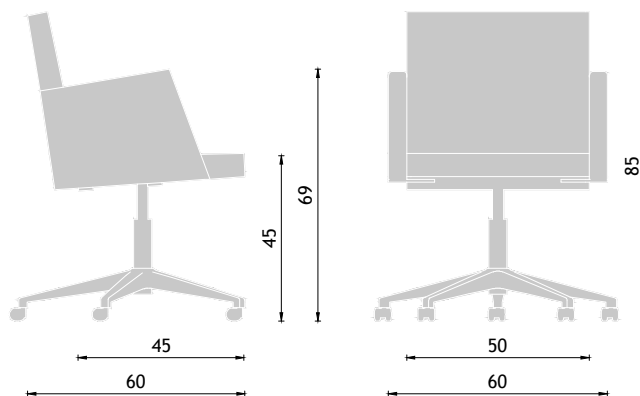
Material

Upholstered Back, seat and arms on a height-adjustable tilt mechanism with 50mm castors or glides.

Fabric

Available in a limited range of tanned hides.

Dimensions









One ON11

design by Drisag



Product description

Our One is a range of chair with many variants. The collection includes project, meeting and canteen chairs, bar stools, office chairs and a bench for waiting areas. The ON11 is a stackable project chair with or without armrests.

Technical information

- Base: sled base, 11mm solid steel bar on glides
- Armrests: soft grip

Metal colors



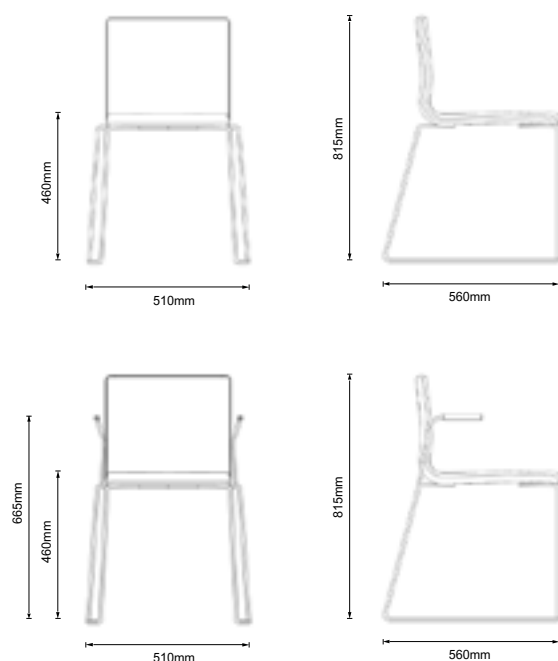
Fabrics

Available in all Drisag fabric groups.

Options

- Felt gliders
- Connecting gliders

Dimensions











One ON14

design by Drisag

Product description

Our One is a range of chair with many variants. The collection includes project, meeting and canteen chairs, bar stools, office chairs and a bench for waiting areas. The ON14 is charming chair with a chrome or powdercoated metal base and 4 wooden legs.

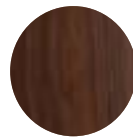
Technical information

Base: 4 legs, ash wood, white or walnut stained

Wood type (Legs)



White stained
ash



Walnut stained
ash

Metal colors



K40 - black RAL9005



K53 - grey blue



K50 - rusty brown



K41 - white RAL9010



K57 - pale green



K54 - beige red



K58 - dark grey RAL7016



K52 - cement grey



K55 - coral red



K51 - squirrel grey



K56 - black green



Chrome

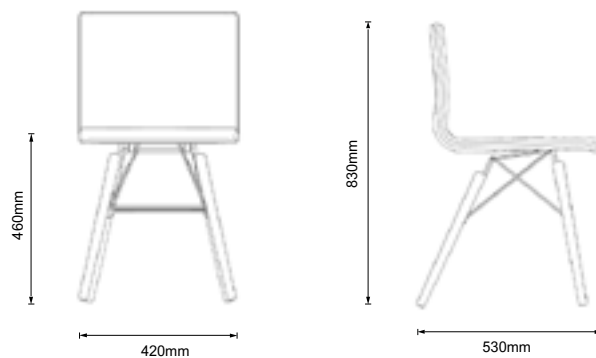
Fabrics

Available in all Drisag fabric groups.

Options

- Felt gliders
- Chrome or powdercoated chair connectors

Dimensions





One ON21 Lounge

design by *Drisagv*



Product description

The one and only, the only way to lounge. Our One range includes a low, comfy and stunning lounge chair. Available in many different fabrics and colors.

Technical information

Base: Sled base, 11mm solid steel bar on glides

Metal colors



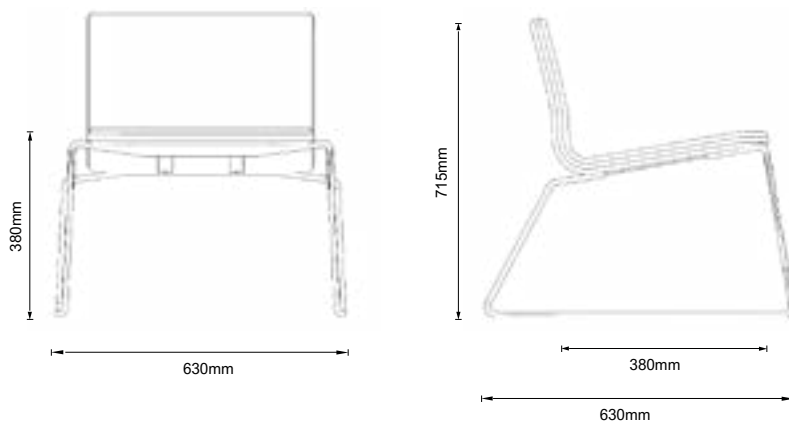
Fabrics

Available in all Drisag fabric group.

Options

- Felt gliders
- Connecting gliders

Dimension







One ONBK

design by *Drisag*

Product description

The One bar stool is an ideal chair if you want to imitate a homely atmosphere and make your customers and staff completely at ease. Due to its wide range of powder coating colors and upholstery choices, this bar chair is so versatile that it can fit into any interior.

Technical information

- Base: Sled base, 11mm solid steel bar on glides.
- Seat: Fully upholstered in fabric, leather or artificial leather.
- Backrest: Fully upholstered in fabric, leather or artificial leather.

Fabrics

Available in all Drisag fabric groups.

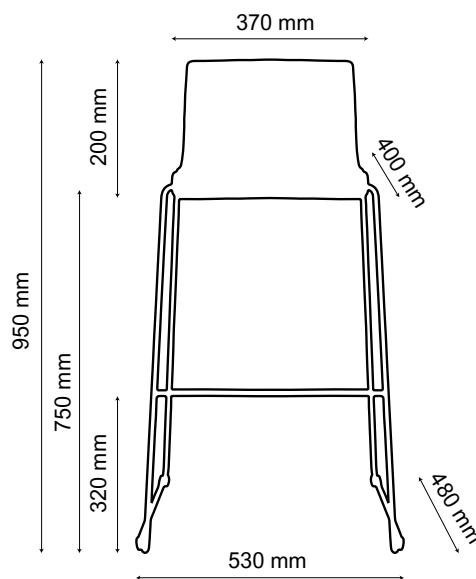
Metal colors



Options

Felt gliders

Dimensions





Poly

design by Kruijne Architectuur



Product description

The concept behind Poly took a journey towards simplicity. It aimed to capture the essence of the ideal organic seating shell using low-poly shapes. This approach results in several facets that are positioned at angles to each other, approximating an ergonomic shell-like seat.

The poly chair, featuring an extended armrest inhabits the intriguing intersection between relaxation and productivity.

It supports the active and dynamic work environments that we are evolving towards, both at home and in the office.

Technical information

- Seat & backrest: MDF 9mm, PU foam, removable upholstery
- Frame: epoxy-coated metal base with plastic glides

Metal colors

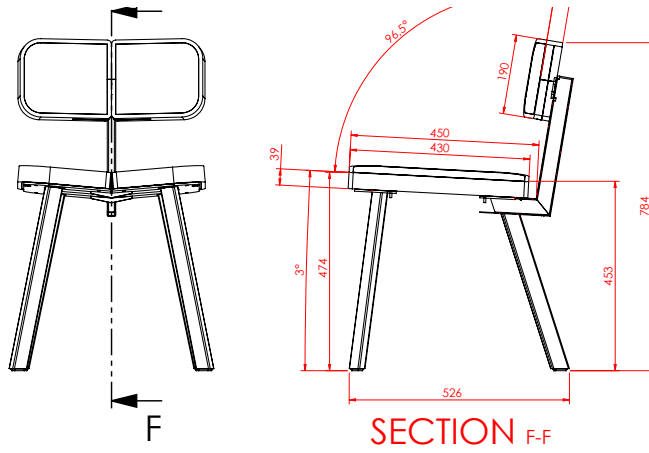


Fabrics

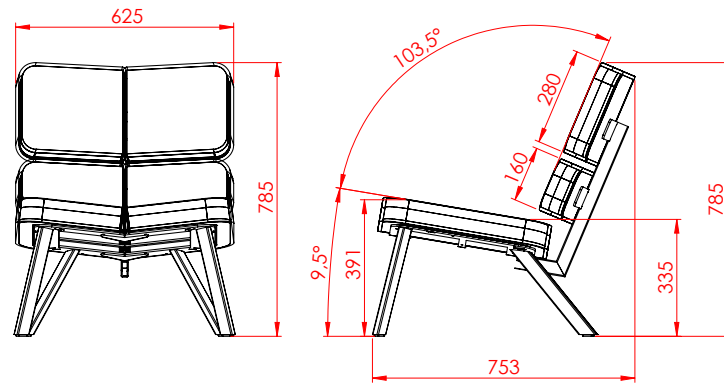
Available in all Drisag fabric groups. A different type of fabric can be chosen for each individual upholstered part.



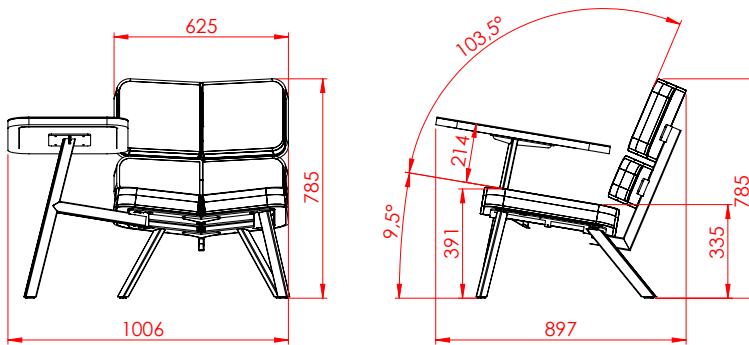
Dimensions
Chair



Lounge

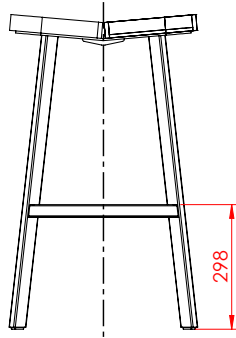


Lounge + table

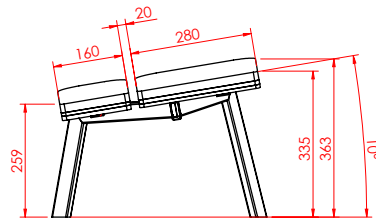
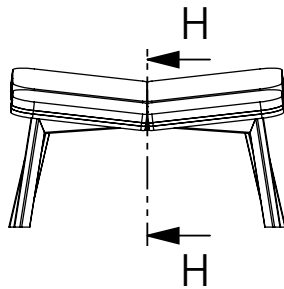




Dimensions
Stool

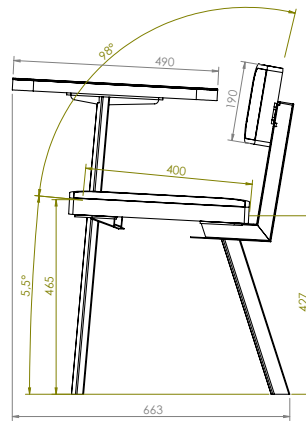
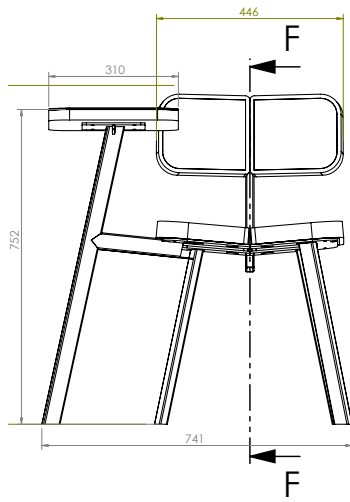


Ottoman



SECTION H-H

Chair + table



SECTION F-F







Smart

design by Drisag



Product description

Smart design. This office chair offers you all the comfort your body needs to be able to work pleasantly for a long period of time. It even has an active posture function. In short, a must-have in any healthy working environment. This ergonomic office chair is NPR1813-certified thanks to its flexibility and comfort.

Technical information

- Castors: 55mm, hard, black polyamide
- Base: black polyamide
- Mechanisms: synchron, adjustable active sit angle
- Seat: adjustable seat depth
- Backrest: J-bar: black fully upholstered two heights
- Armrests: easy replaceable armrest supports in black polyamide 3D adjustable (height, width & depth) 360° rotating armpads in PU

Fabrics

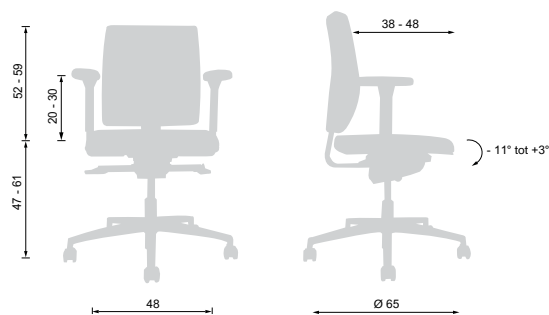
Available in all Drisag fabric groups.

Options

- Castors: soft & antistatic or glides
- Base: polished aluminium
- Backrest: J-bar chromed netweave
- Armrests: armrest supports in polished aluminium

Dimensions

Low back



High back













Smart Netweave

design by Drisag



Product description

Smart design. This office chair offers you all the comfort your body needs to be able to work pleasantly for a long period of time. It even has an active posture function. In short, a must-have in any healthy working environment. This ergonomic office chair is NPR1813-certified thanks to its flexibility and comfort.

Technical information

- Castors: 50mm, hard, black polyamide
- Base: black polyamide
- Mechanisms: synchron, adjustable active sit angle
- Seat: adjustable seat depth
- Backrest: J-bar: black polyamide
netweave
4 heights
- Armrests: easy replaceable
armrest supports in black polyamide
3D adjustable (height, width & depth)
360° rotating armpads in PU

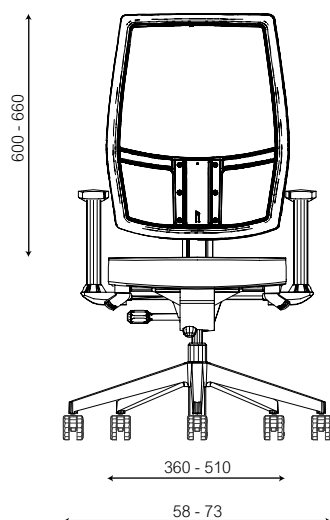
Fabrics

Available in all Drisag fabric groups.

Options

- Castors: soft & antistatic or glides
- Base: polished aluminium or epoxy coated
- Armrests: armrest supports in polished aluminium
- Headrest: also available with adjustable headrest +20 cm in maximum height

Dimensions



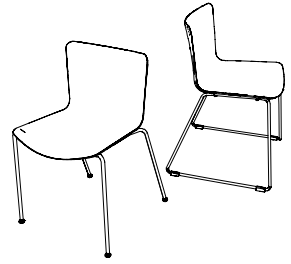






Sonja

design by Drisag



Product description

Sonja, timeless design with good seating comfort for every team member. Thanks to our wide range of colours and perfectly matching lacquer colours, Sonja fits into any interior.

Technical information

- Base: 14mm massive steel bar on glides or sled base 12mm massive steel bar on glides.
- Seat: Polypropylene seating available in different colors.

Metal colors



chrome

Polypropylene colors (No upholstery)



SNOWBALL - white



POWDER - old pink

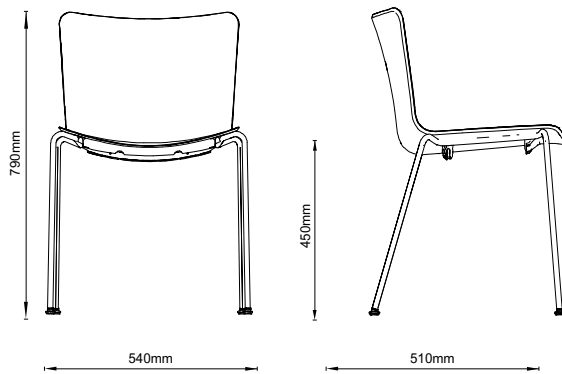


DARK - black

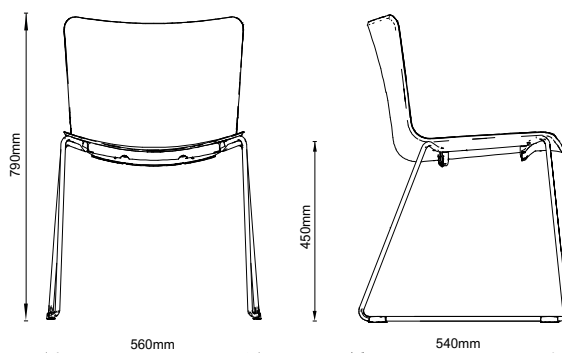


SWAMP - green

Dimensions S012



S011









Sonja SOBK

design by Drisag



Product description

The Sonja bar stool fits into any interior. This chair is finished down to the smallest details, where everything has been thought through. The perfect choice for a perfect chair.

Technical information

- Base: Metal rods.
- Backrest: Polypropylene.
- Seat: Polypropylene.

Polypropylene colors (No upholstery)



Snowball



Swamp



Powder



Dark

Metal colors

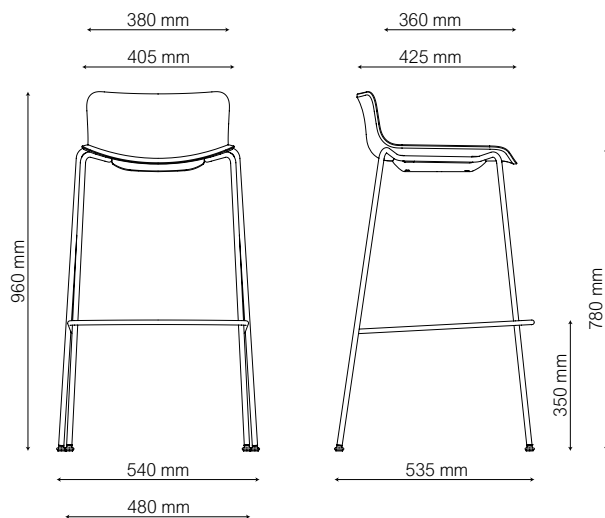


chrome

Options

Stacking cart max 14 chairs.

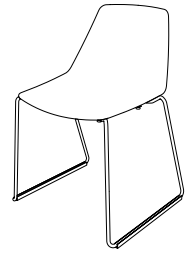
Dimensions





Tomo TO11

design by Drisag



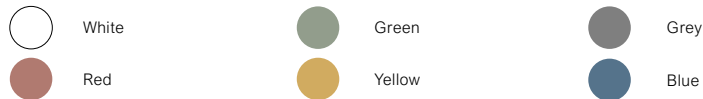
Product description

Tomo offers an extensive range of stackable and non-stackable project, meeting, canteen chairs and bar stools. Mix & match for a complete look.

Technical information

- Base: powder-coated or chrome-plated steel sled frame (dia. 12mm) with plastic glides
- Seat: polypropylene seat
- Stackable: up to 10
- * Upholstery: 5mm PU foam, fabric cover with zipper
*optional

Polypropylene colors (No upholstery)



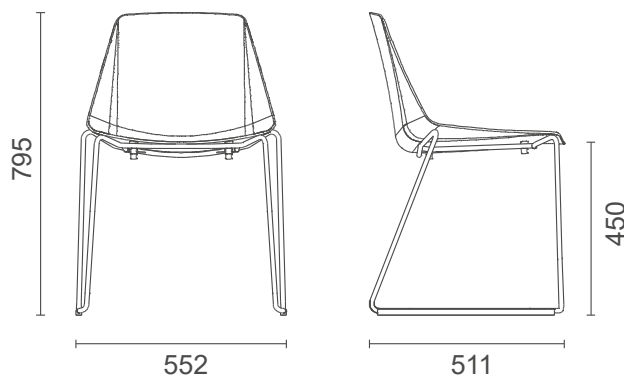
Fabrics

Available in all Drisag fabric groups.

Metal colors



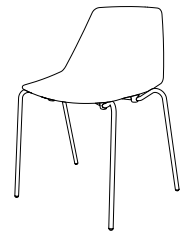
Dimensions





Tomo TO12

design by Drisag



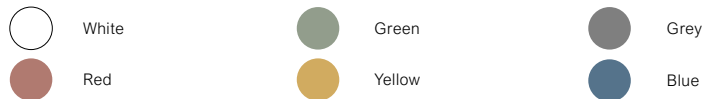
Product description

Tomo offers an extensive range of stackable and non-stackable project, meeting, canteen chairs and bar stools. Mix & match for a complete look.

Technical information

- Base: powder-coated or chrome-plated steel 4-legged base (dia. 16mm) with plastic plug-in caps.
- Seat: polypropylene seat
- Stackable: up to 10
- * Upholstery: 5mm PU foam, fabric cover with zipper
*optional

Polypropylene colors (No upholstery)



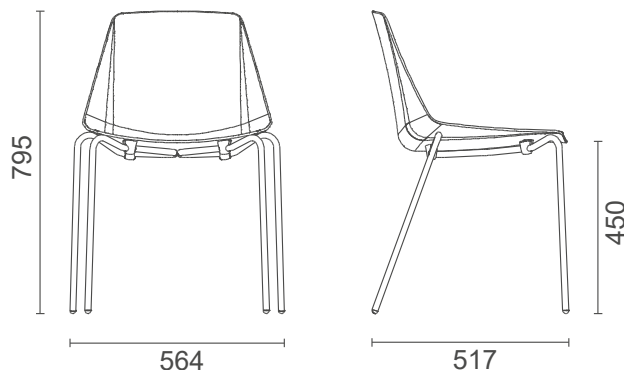
Fabrics

Available in all Drisag fabric groups.

Metal colors



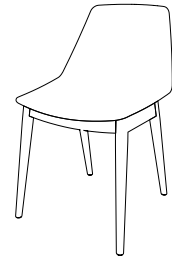
Dimensions





Tomo TO12H

design by Drisag



Product description

Tomo offers an extensive range of stackable and non-stackable project, meeting, canteen chairs and bar stools. Mix & match for a complete look.

Technical information

- Base: Beechwood four-legged base, fitted with felt feet.
- Seat: polypropylene seat
- * Upholstery: 5mm PU foam, fabric cover with zipper
*optional

Polypropylene colors (No upholstery)



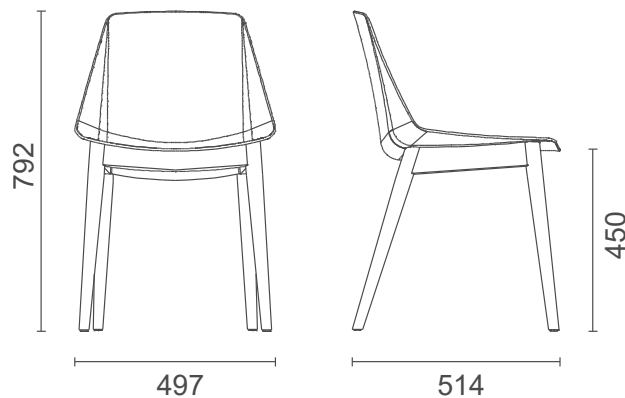
Fabrics

Available in all Drisag fabric groups.

Wooden base colors



Dimensions





Tomo TO51(A)

design by Drisag



Product description

Simple, versatile office chair with a comfortable seat available in multiple colors and optional armrests.

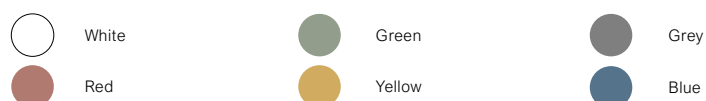
Technical information

- Base & Castors:** Black plastic star-shaped base, diameter 655 mm
 Diameter 60 mm, with brake and double running surface
 Hard casters (carpet) or soft casters (stone, linoleum, parquet, laminate), easily interchangeable
- Mechanism** Non-lockable tilt mechanism with limited forward and backward movement
- Seat Height Adjustment:** Stepless seat height adjustment with spring support in the lowest position
 Safety gas lift with top control according to DIN 4550
 LGA-approved safety gas lift, mounted in a 50 mm diameter upright tube
- Seat:** Upholstered: Polypropylene shell covered with 5 mm cut foam. A fabric cover with a zipper on the underside is pulled over the shell and tightened.

 Non-upholstered: Polypropylene shell (available in 6 colors: white, anthracite, red, yellow, green, blue)

 Seat shell is mounted on the base with screws
- Armrests (Optional):** Black Powder-coated steel tube with rubber arm pads

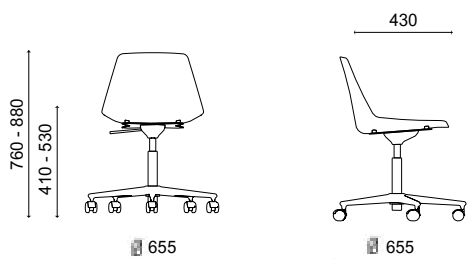
Polypropylene colors (No upholstery)



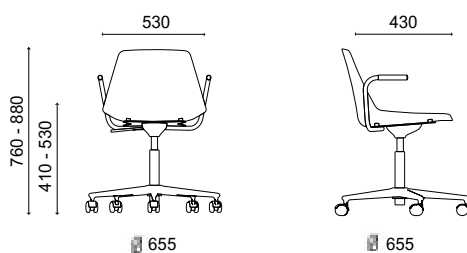
Fabrics

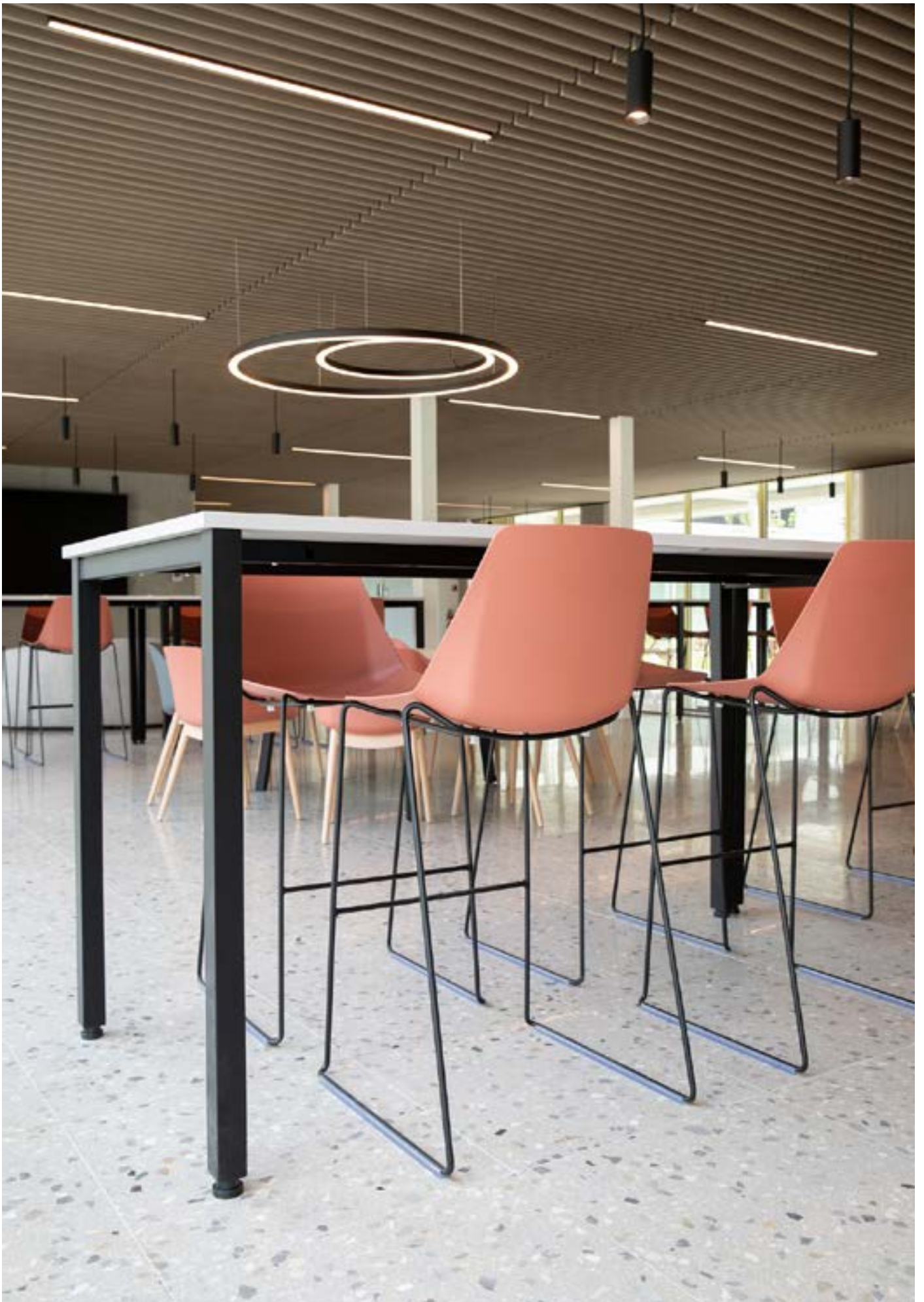
Available in all Drisag fabric groups.

Dimensions T051



T051A





Tomo TOBK11

design by Drisag



Product description

Tomo offers an extensive range of stackable and non-stackable project, meeting, canteen chairs and bar stools. Mix & match for a complete look.

Technical information

- Base: powder-coated or chrome-plated steel sled frame (dia. 12mm) with plastic glides
- Seat: polypropylene seat
- Stackable: up to 4
- * Upholstery: 5mm PU foam, fabric cover with zipper
*optional

Polypropylene colors (No upholstery)



White



Green



Grey



Red



Yellow

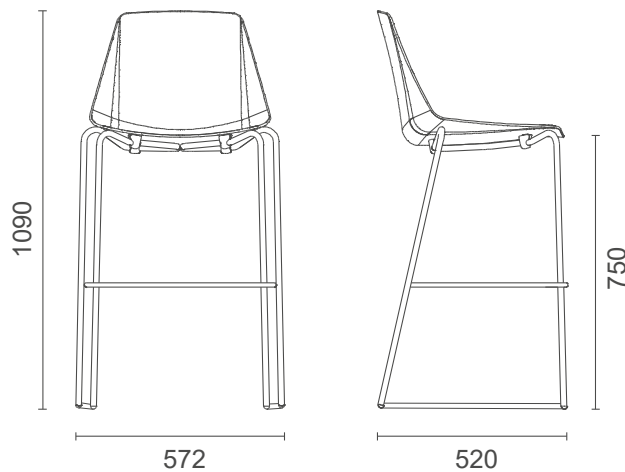


Blue

Fabrics

Available in all Drisag fabric groups.

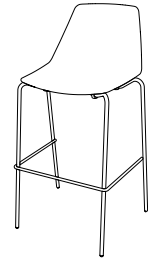
Dimensions





Tomo TOBK12

design by Drisag



Product description

Tomo offers an extensive range of stackable and non-stackable project, meeting, canteen chairs and bar stools. Mix & match for a complete look.

Technical information

- Base: powder-coated or chrome-plated steel 4-legged base (dia. 16mm) with plastic plug-in caps.
- Seat: polypropylene seat
- Stackable: up to 4
- * Upholstery: 5mm PU foam, fabric cover with zipper
*optional

Polypropylene colors (No upholstery)



White



Green



Grey



Red



Yellow

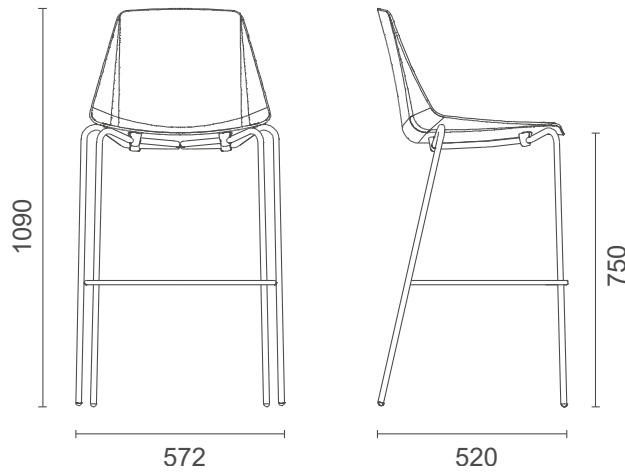


Blue

Fabrics

Available in all Drisag fabric groups.

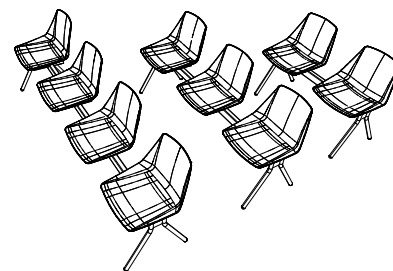
Dimensions





Tomo TOWB

design by Drisag



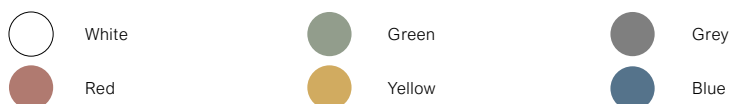
Product description

The Tomo bench is a versatile and robust seating solution, perfect for waiting areas, corridors, or public spaces. Available in configurations with 2, 3, or 4 seats.

Technical information

- Base: 4-legged frame in epoxy-coated steel
- Seat: polypropylene seat
- * Upholstery: 5mm PU foam, fabric cover with zipper
*optional

Polypropylene colors (No upholstery)



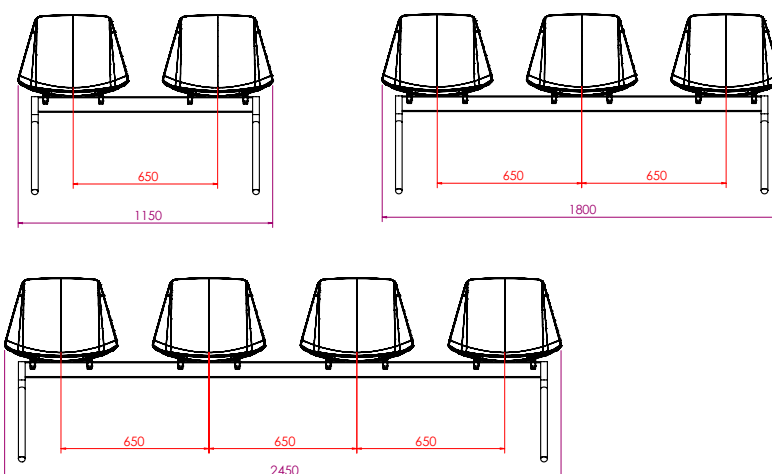
Fabrics

Available in all Drisag fabric groups.

Metal colors



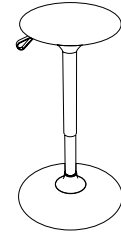
Dimensions





Twist

design by Drisag

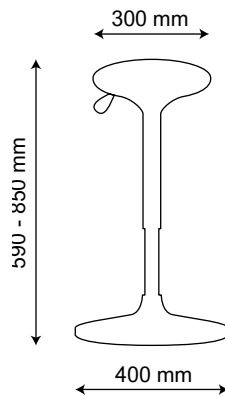


Product description With Twist, you can stay rocking at any height.

- Technical information**
- Base: black, made out of polyamide
 - Seat: upholstered black fabric seat on polyurethane foam
 - Leather loop: height adjustable using the leather loop

Fabrics Steelcut trio black.

Dimensions



Options Upholstery available in all Drisag fabric groups.







Verso

design by Drisag



Product description A chair that is comfortable, flexible and blends in with the interior.

- Technical information**
- Castors: 60mm, rubber (soft)
 - Base: 4-star black powdercoated aluminium (fixed height)
5-star black, grey or white plastic (matching the seat color, height adjustable)
 - Mechanism: Lockable tilt mechanism (7°)
 - Seat: PA
 - Upholstery: upholstered liner (seat & back)

- Options**
- Arms: PA arms with PU pads

Seat colors

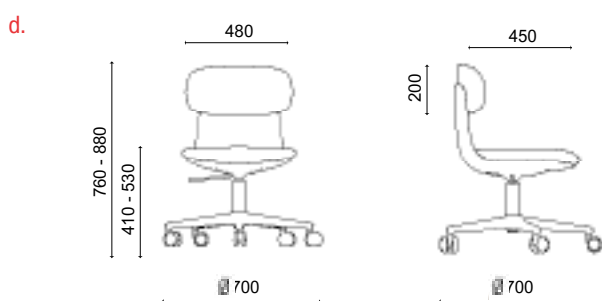
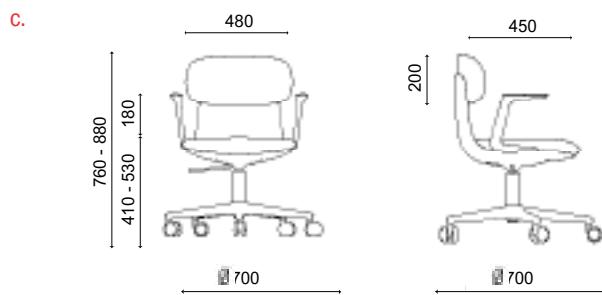
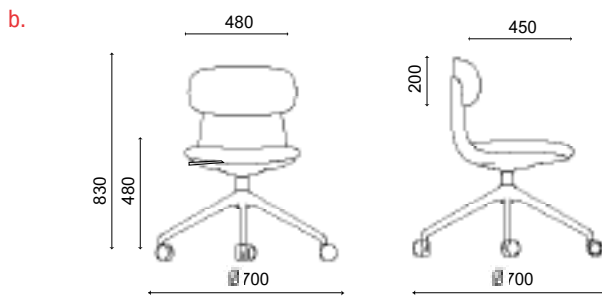
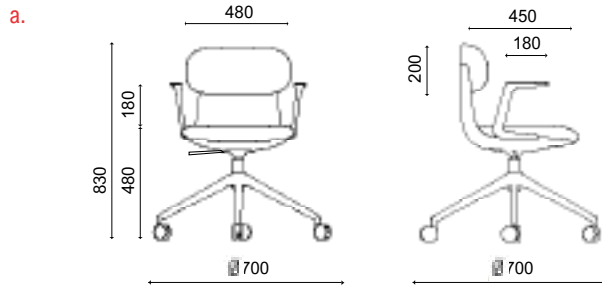
● Black ● Grey ○ White

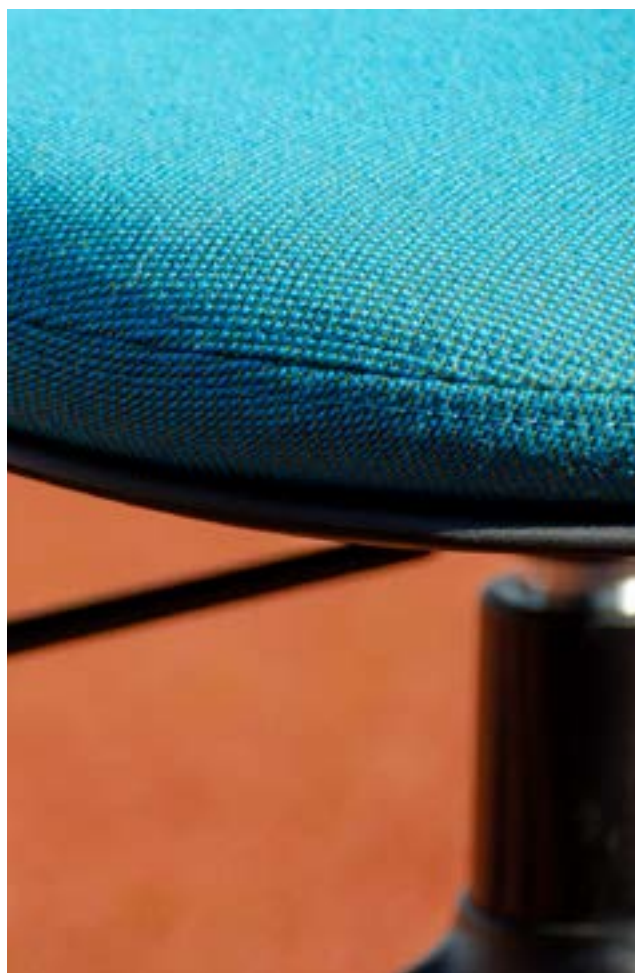
Fabrics All Drisag fabric groups except artificial leather.



Dimensions

- a. **Verso** fixed height with arms
- b. **Verso** fixed height without arms
- c. **Verso** height adjustable with arms
- d. **Verso** height adjustable without arms







Victory VI41

design by Drisag



Product description

You can take a break, brainstorm or have a meeting in a comfortable chair. The upholstered Victory swivel chairs are ready for you.

Technical information

- Castors: 50mm, hard and soft
- Base: powdercoated aluminum
- Mechanisms: lockable, height-adjustable and weight setting tilt mechanism
- Backrest: fully upholstered in fabric, leather or artificial leather
- Seat: fully upholstered in fabric, leather or artificial leather
- Armrests: open armrest*: 50x20mm steel profile, powdercoated armpad fully upholstered in fabric, leather or artificial leather
closed armrest*: fully upholstered in fabric, leather or artificial leather

(* = optional)

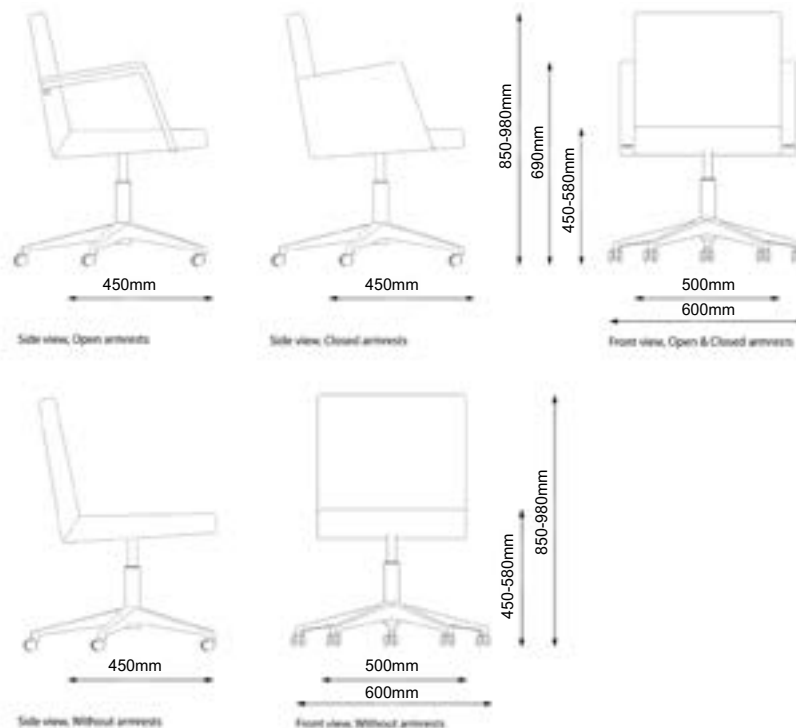
Fabrics

Available in all Drisag fabric groups.

Metal colors



Dimensions









Victory VI44

design by Drisag



Product description You can take a break, brainstorm or have a meeting in a comfortable chair. The upholstered Victory swivel chairs are ready for you.

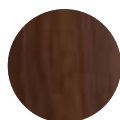
- Technical information**
- Base: wooden legs
 - Mechanisms: non lockable tilt mechanism
 - Backrest: fully upholstered in fabric, leather or artificial leather
 - Seat: fully upholstered in fabric, leather or artificial leather
 - Armrests: fully upholstered in fabric, leather or artificial leather

Fabrics Available in all Drisag fabric groups.

Wood type (Legs)

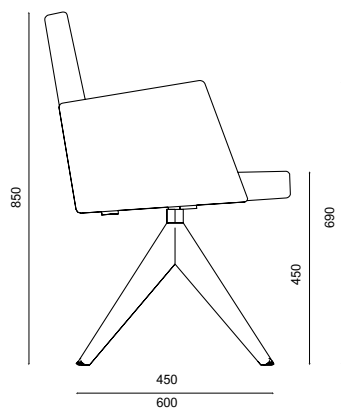


White stained
ash

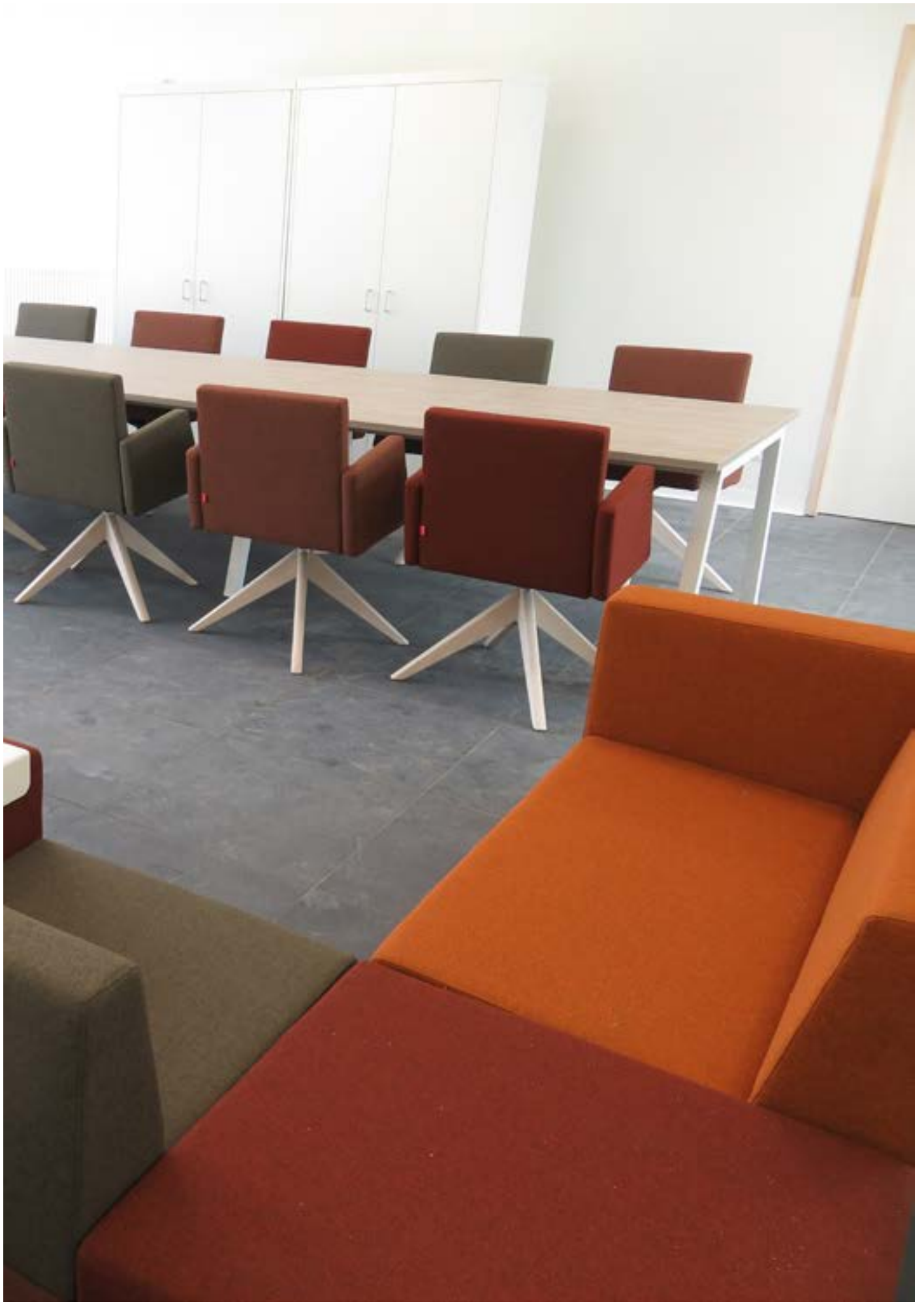


Walnut stained
ash

Dimensions









Fat Victory

design by Drisag



Product description

Really comfortable sitting? Fat Victory is the king of chairs. This comfortable upholstered swivel chair has a wooden base and is the eye-catcher in your interior.

Technical information

- Base: wooden legs
- Backrest: fully upholstered in fabric, leather or artificial leather
- Seat: fully upholstered in fabric, leather or artificial leather
- Armrests: fully upholstered in fabric, leather or artificial leather

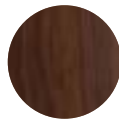
Fabrics

Available in all Drisag fabric groups.

Wood type (Legs)

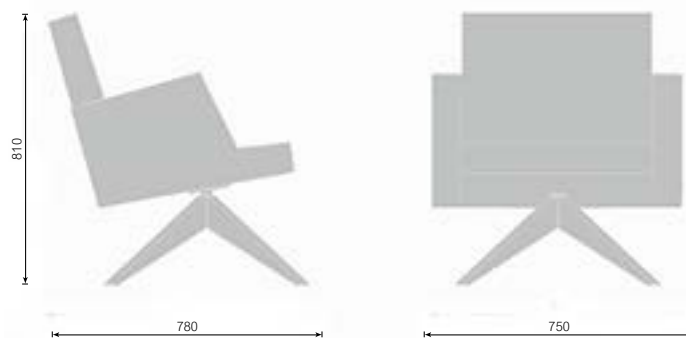


White stained
ash

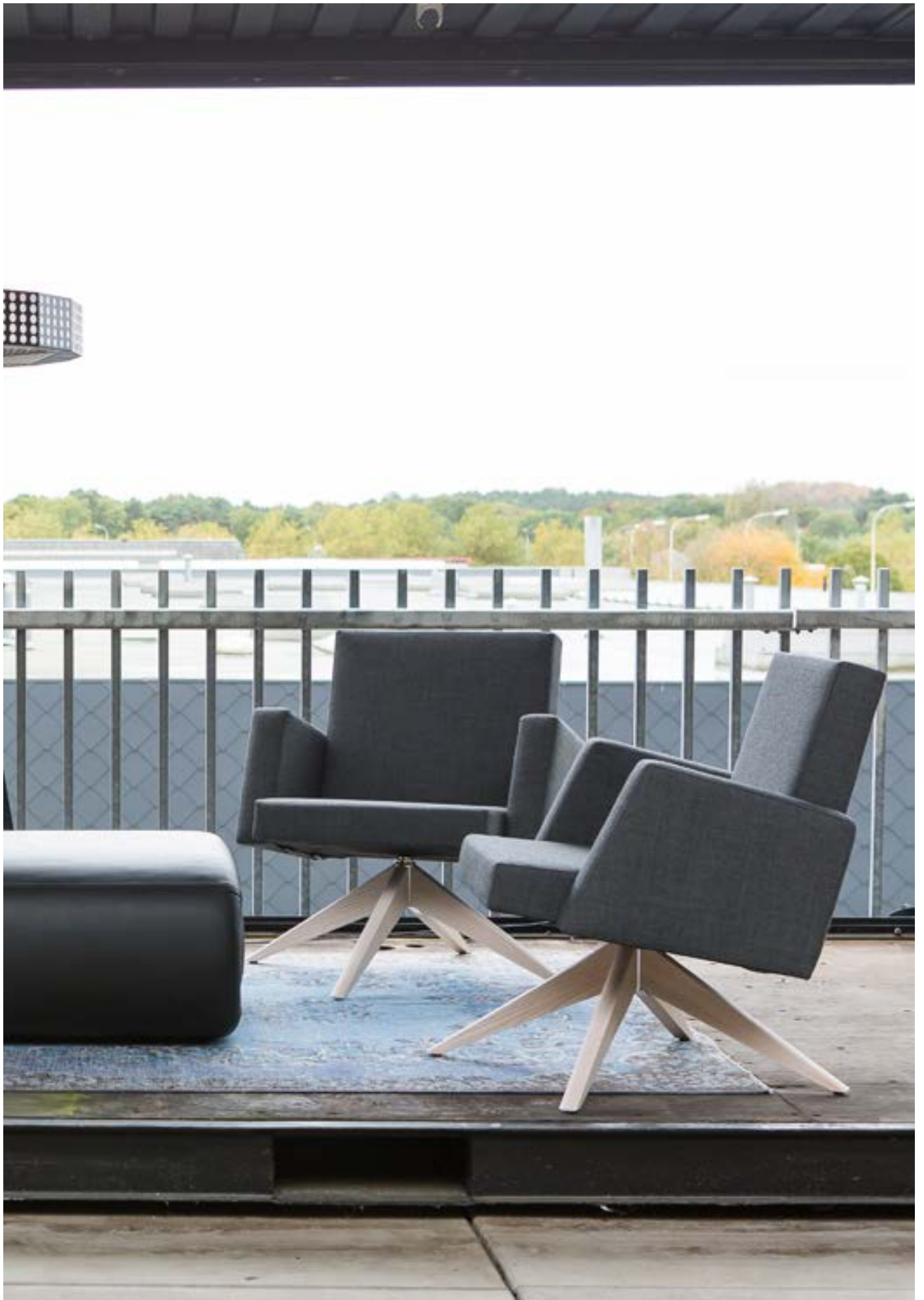


Walnut stained
ash

Dimensions









**studio
Lawrence**

Wonky

design by Studio Lawrence



Product description

A playful yet classy chair. The Wonky range consists of five different shells, always with the same frame. For the time being only available with wooden shell in three colors.

Metal colors

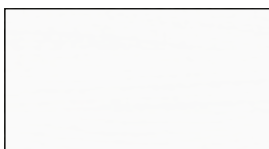


K40 - black RAL9005

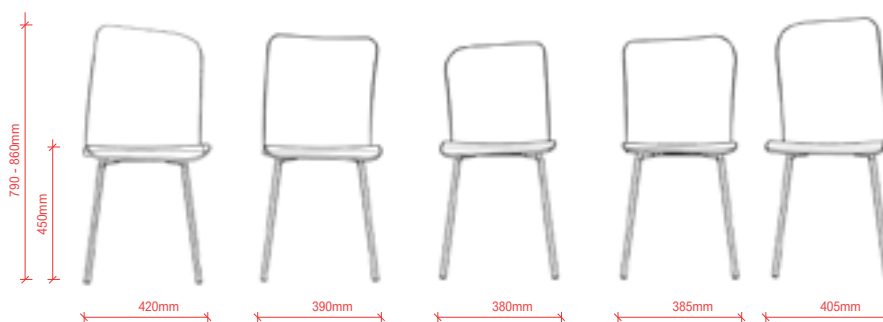


K41 - white RAL9010

Wood colors



Dimensions









Yoko

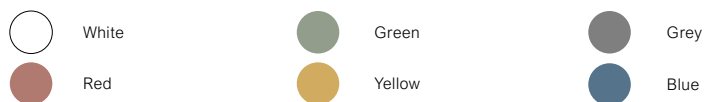
design by Drisag



Product description Yoko offers a range of non-stackable project, meeting, canteen barstools. Mix & match for a complete look.

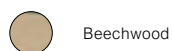
- Technical information**
- Base: Beechwood four-legged base, fitted with felt feet.
 - Base ring: PA + 30% FV
 - Seat: PA + 30% FV
 - Upholstery: Inner plate and moulded foam upholstered into one body.

**Polypropylene colors
(No upholstery)**

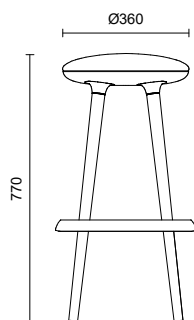


Fabrics Available in all Drisag fabric groups.

Wooden base colors



Dimensions







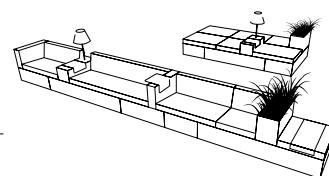
Soft Seating

Enjoy optimal comfort. Relax all day in a chair that meets all your wishes. Employees can fully concentrate and visitors are immediately impressed. Combine beautiful fabrics and create a unique appearance that matches the image of your company. From small stools to large sofas to certified ergonomic office chair, we have it all.



BeA Bench

design by *Beel & Achtergael architect*



Product description

First create the desired length of your BeA bench by combining several base components randomly. Then choose several seating, pouf & table components and put them randomly on the base.

Fabrics

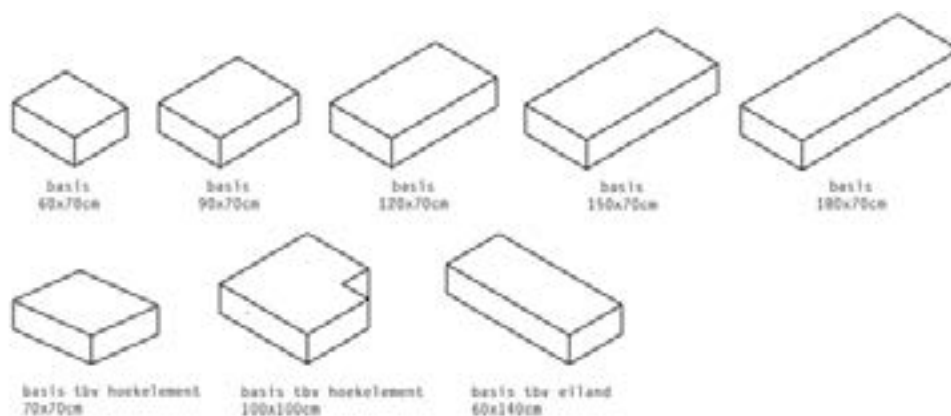
Available in all Drisag fabric groups.

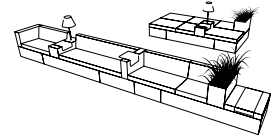
Metal colors



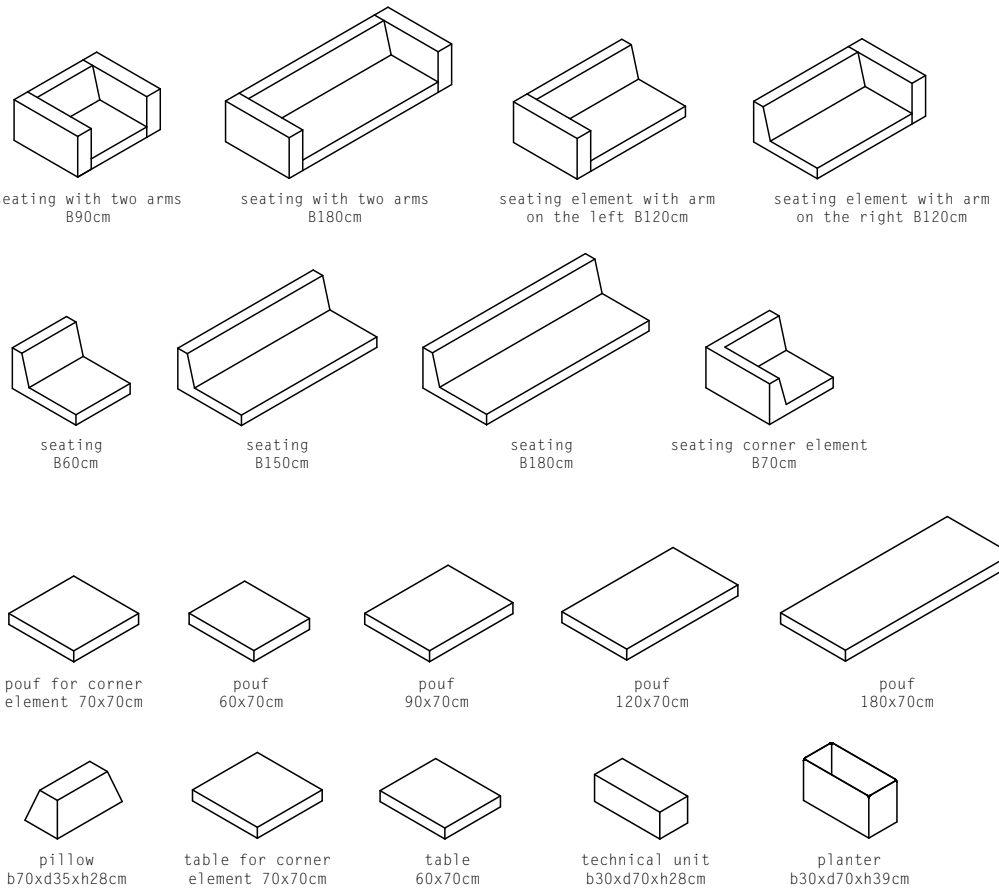
K41 - white RAL9010

Models/Dimensions



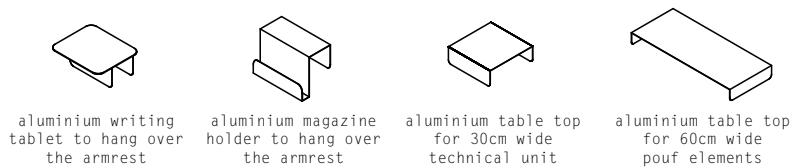


Models/Dimensions



upholstery: fabric, leather
HPL table top: white

accessories





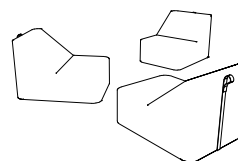






Boris

design by *Drisag*



Product description

At first glance, Boris is a simple piece of furniture. But nothing is what it seems, its composition provides unique seating comfort. Ideal to relax for a while.

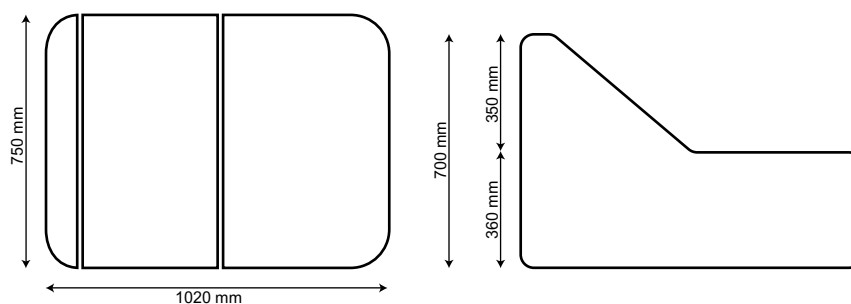
Technical information

The seat consists of a combination of glued foam parts of different qualities and is padded with residual Dacron material. At the bottom is a mdf board with thickness of 10mm. The whole is upholstered in synergy fabric. The back is fitted with a loop in saddle leather and the bottom with 4 plastic floor glides.

Fabrics

Synergy

Dimensions



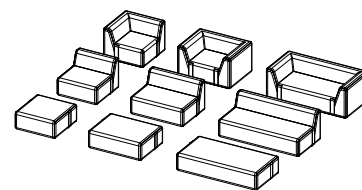






CoziMo

design by Drisag



Product description

Modular Seating, Your Way

CoziMo is a versatile range of modular seating designed for dynamic spaces and flexible living. With 9 unique modules to choose from, you can create countless configurations to suit your mood, setting, or function.

Each module is lightweight and easy to move, making reconfiguration a breeze. While the modules are not physically connected, the non-slip base ensures they stay securely in place during use. Every piece is thoughtfully equipped with a side handle for effortless lifting and rearranging.

Whether you're designing a cozy corner, a collaborative workspace, or an inviting lounge, CoziMo adapts to your needs, stylishly and seamlessly.

Technical information

Each CoziMo module is constructed using multiple densities of high-resilience cold foam, carefully layered and bonded together to provide optimal seating comfort and support. The modules are covered with a stitched fabric cover, designed for both durability and style.

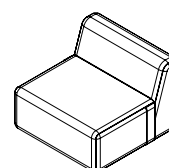
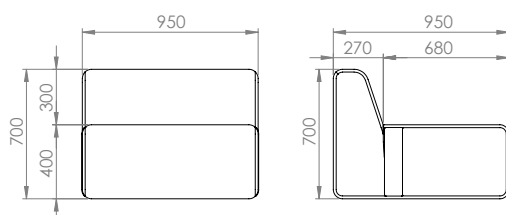
The cover features an integrated anti-slip layer on the underside, ensuring the modules remain securely in place while also allowing air to escape when seated, enhancing comfort. A discreet zipper on the bottom allows the cover to be removed for cleaning or replacement when needed.

Fabrics

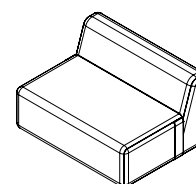
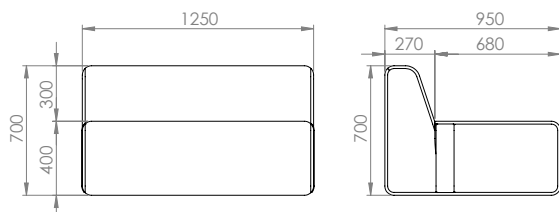
Chief, Cubo, Fellow

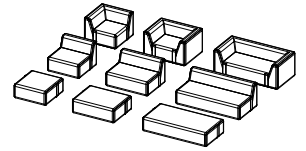


Dimensions seat 95

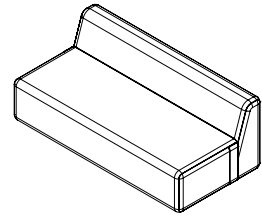
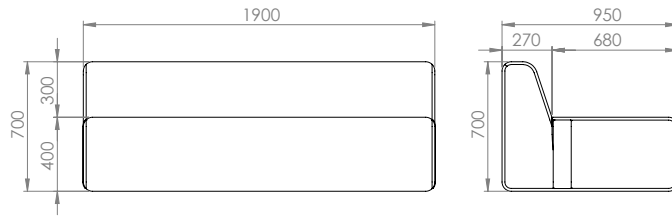


seat 125

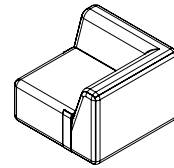
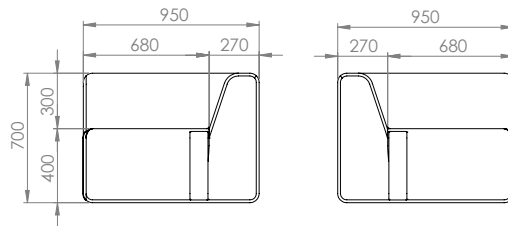




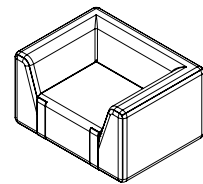
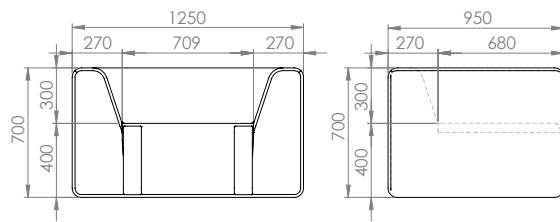
seat 190



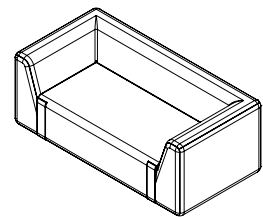
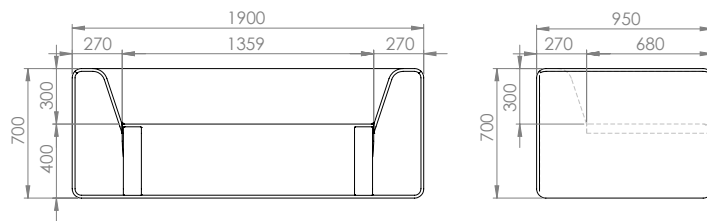
corner 95

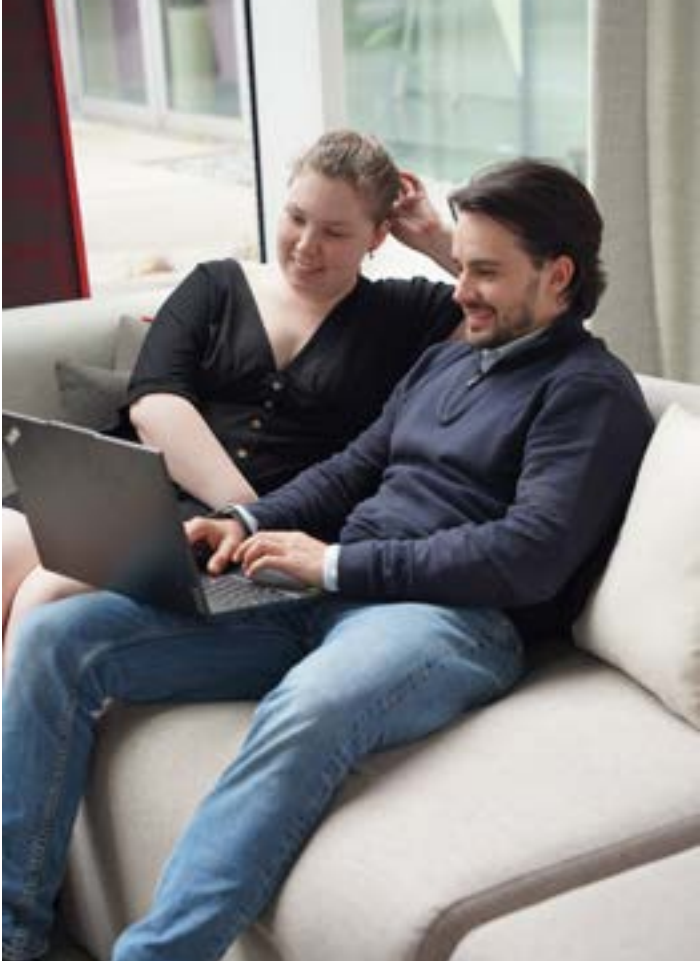


1-seater 125



1-seater 190







Cubo & Tubo

design by *Drisag*



Product description The more poufs, the more joy! Tubo & Cubo are cylindrical and cube-shaped poufs that increase your flexibility and create a playful atmosphere.

Fabrics Available in all Drisag fabric groups.

- Options**
- Bicolor: seat in second color
 - Cubo set of wheels
 - Loop
 - Felt glides

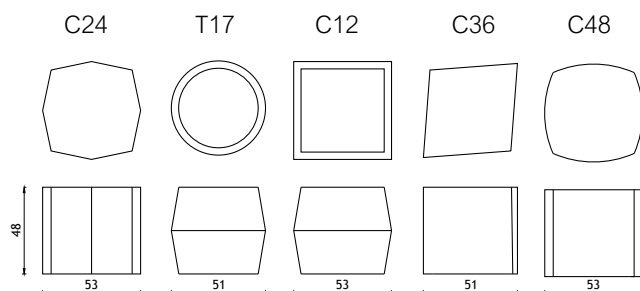
Dimensions
Cubo

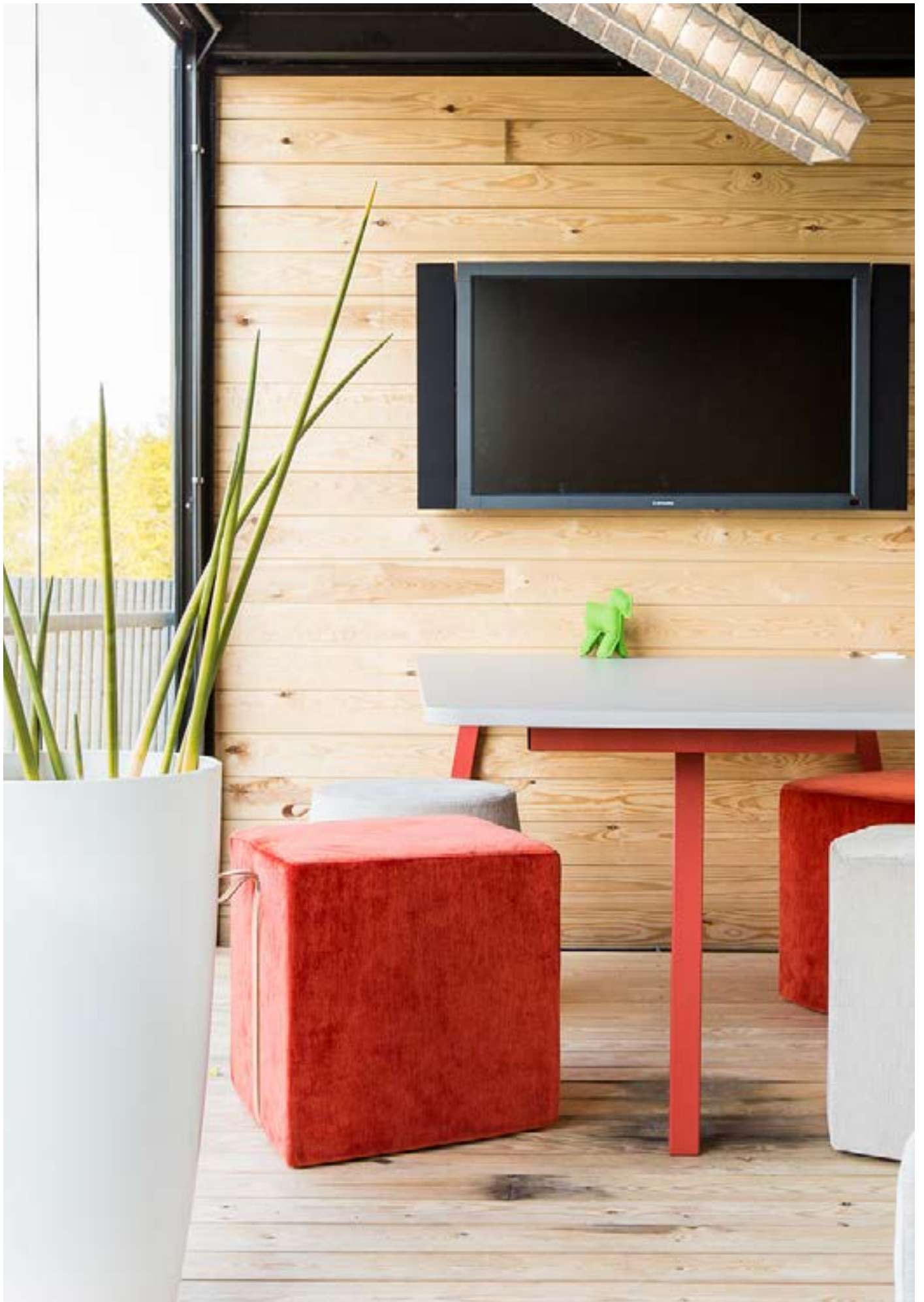
CU4545:	B450 mm x L450 mm x H480 mm
CU4590:	B450 mm x L900 mm x H480 mm
CU9090:	B900 mm x L900 mm x H480 mm

Tubo

TU43:	Ø 430 mm x H480 mm
TU90:	Ø 900 mm x H480 mm
TU120:	Ø 1200 mm x H480 mm

Alternative shapes













D-ply

design by Drisag



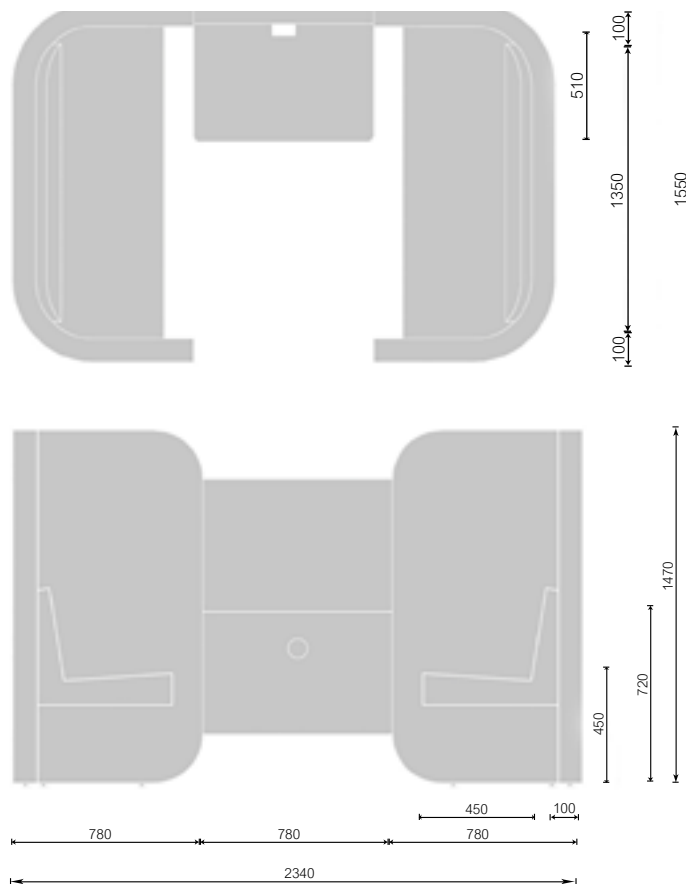
Product description An oasis of tranquility in a large open space. That's D-Ply. You can use this multifunctional soft seating module as a touchdown workplace, meeting and lunch spot.

Technical information Upholstered wooden structure, covered in PU foam with a powder coated steel sheet, implemented power supply and network connection.

Fabrics Available in all Drisag fabric groups.

Metal color  K41 - white RAL9010

Dimensions









Egg²

design by Robin van Helvoort

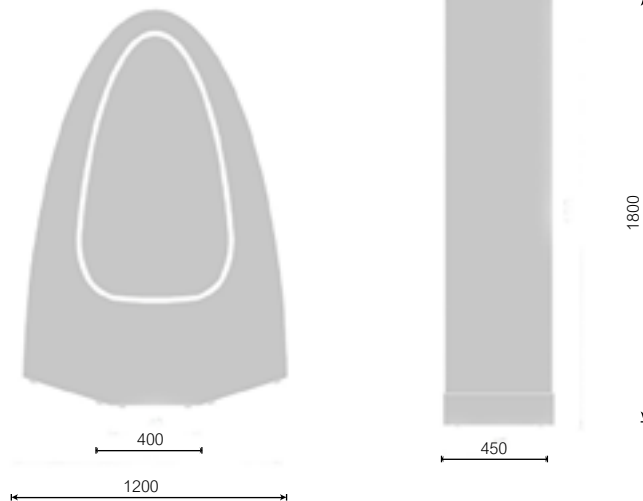


Product description Pause like a king, with Egg². The combination of an upholstered ottoman and swing is the eye-catcher in your relaxation or waiting area.

Technical information Made out of a ply wood base, 100% polyether foam and upholstered finish.

Fabrics Available in all Drisag fabric groups.

Dimensions



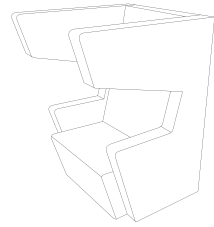






First Class

design by *Drisag*



Product description

Do you work first class? With First Class as an armchair, you create a comfortable and discreet seating area.

Technical information

- Base: Fully upholstered in fabric, leather or artificial leather.
- Backrest: Fully upholstered in fabric, leather or artificial leather.
- Seat: Fully upholstered in fabric, leather or artificial leather.
- Armrests: Fully upholstered in fabric, leather or artificial leather.

Fabrics

Available in all Drisag fabric groups.

Metal color

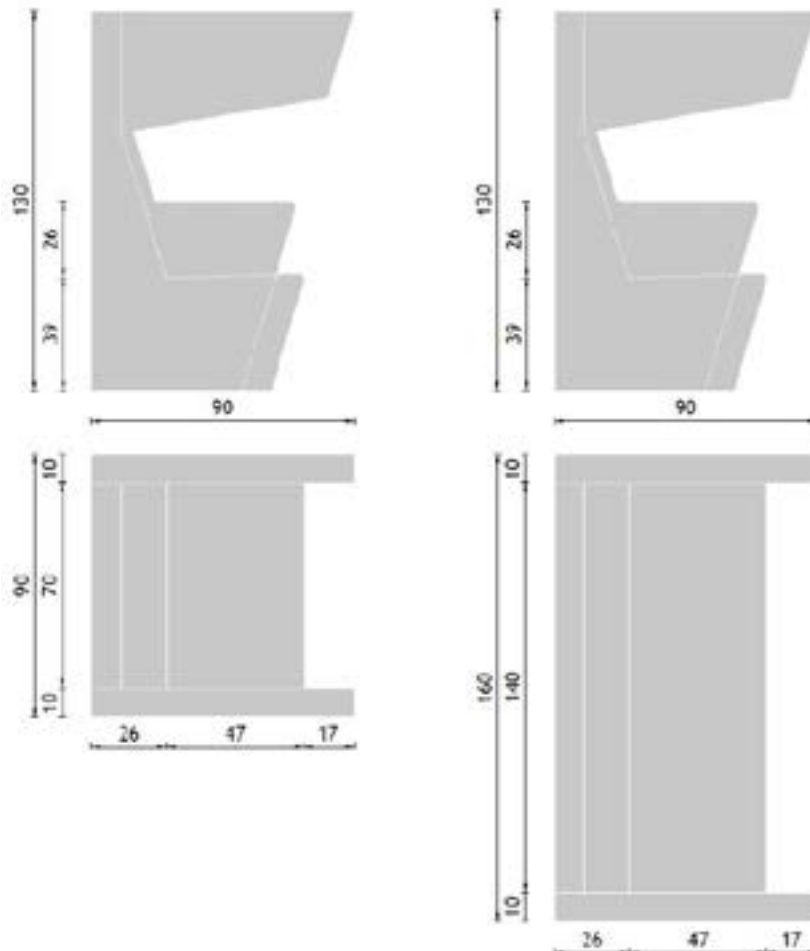


K41 - white RAL9010

Options

Aluminum writing tablet (35x30cm) to hang over the armrest.

Dimensions



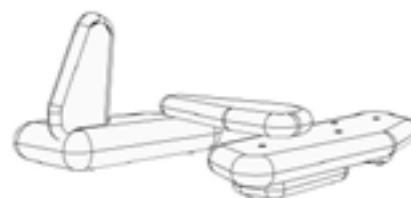






Hunnebed

design by Sander Mulder



modular couch

Hunnebed is a modular seating solution, where the user can manipulate the assembly by adding stones to cleverly located pivot points, and rotating stones with 360 degree freedom of motion. Empty pivot points in an assembly can be used for electrification solutions such as an USB charging point, side table, lamp, or mains power socket.

Material

High quality upholstery fabric, foam, wood, steel.

Sizes

See following pages for available elements and accessories.

Remark

Organic modularity with 360 degrees of freedom.

Option

Custom colors and other fabrics available upon request.

Packaging quantity

Sold individually.

Designer

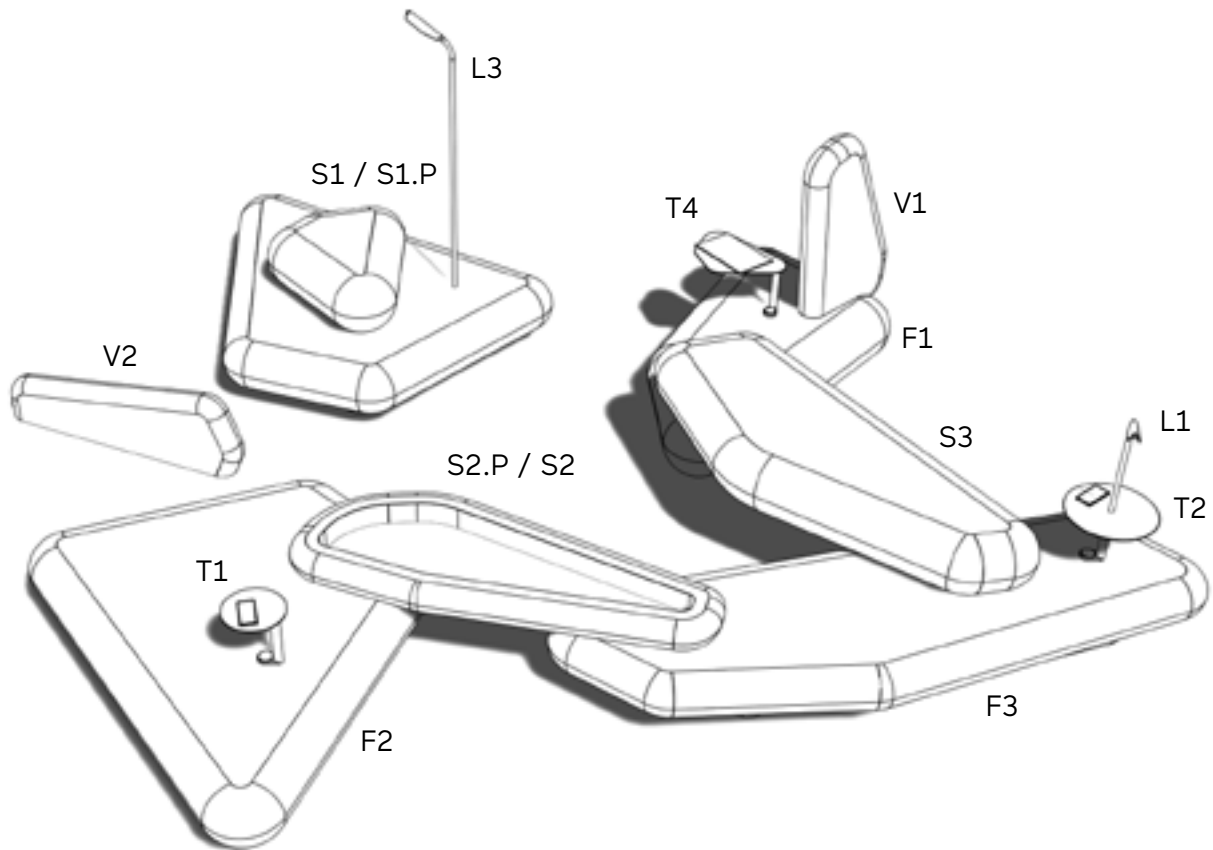
Sander Mulder

Fabric colors

- grey
- other colors and fabrics available on request.

Tables and powerpoint colors

- black, micro structure powder coating.
- any RAL color available on request.



The total Hunnebed range contains a wider range of elements and accessories than shown in this image. See the following pages for all available elements and accessories and dimensions thereof.



F1 Floor Stone / Small

Hunnebed is a modular seating solution, where the user can manipulate the assembly by adding stones to cleverly located pivot points, and rotating stones with 360 degree freedom of motion. Empty pivot points in an assembly can be used for electrification solutions such as an USB charging point, side table, lamp, or mains power socket.

Material

High quality upholstery fabric, foam, wood, steel.

Remark

Also available without any pivot points (fully upholstered).

Option

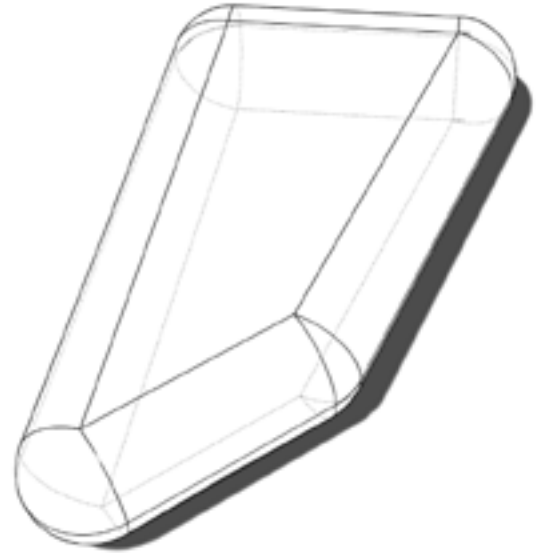
Custom finishes and fabrics available upon request.

Packaging quantity

Sold individually.

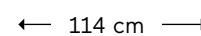
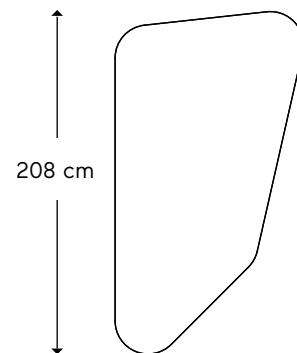
Designer

Sander Mulder



Fabric colors

- grey
- other colors and fabrics available on request.





F2 Floor Stone / Large

Hunnebed is a modular seating solution, where the user can manipulate the assembly by adding stones to cleverly located pivot points, and rotating stones with 360 degree freedom of motion. Empty pivot points in an assembly can be used for electrification solutions such as an USB charging point, side table, lamp, or mains power socket.

Material

High quality upholstery fabric, foam, wood, steel.

Remark

Also available without any pivot points (fully upholstered).

Option

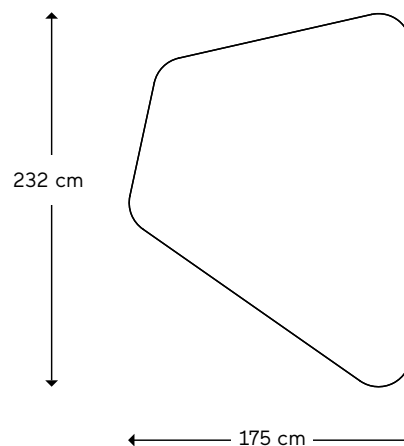
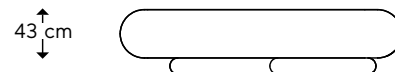
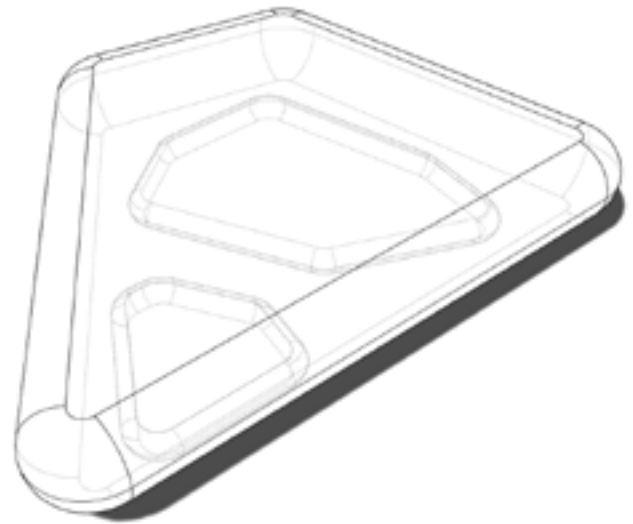
Custom finishes and fabrics available upon request.

Packaging quantity

Sold individually.

Designer

Sander Mulder



Fabric colors

- grey
- other colors and fabrics available on request.



F3 Floor Stone / Medium

Hunnebed is a modular seating solution, where the user can manipulate the assembly by adding stones to cleverly located pivot points, and rotating stones with 360 degree freedom of motion. Empty pivot points in an assembly can be used for electrification solutions such as an USB charging point, side table, lamp, or mains power socket.

Material

High quality upholstery fabric, foam, wood, steel.

Remark

Also available without any pivot points (fully upholstered).

Option

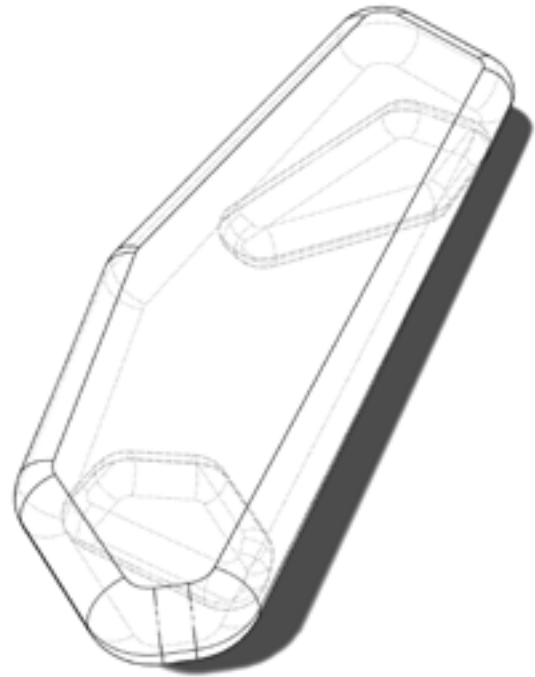
Custom finishes and fabrics available upon request.

Packaging quantity

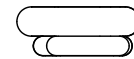
Sold individually.

Designer

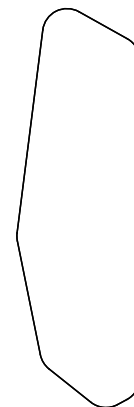
Sander Mulder



43 cm



327 cm



Fabric colors

● grey

○ other colors and fabrics available on request.



S1 Stacked Stone / Small

Hunnebed is a modular seating solution, where the user can manipulate the assembly by adding stones to cleverly located pivot points, and rotating stones with 360 degree freedom of motion. Empty pivot points in an assembly can be used for electrification solutions such as an USB charging point, side table, lamp, or mains power socket.

Material

High quality upholstery fabric, foam, wood, steel.

Remark

Also available without any pivot points (fully upholstered).

Option

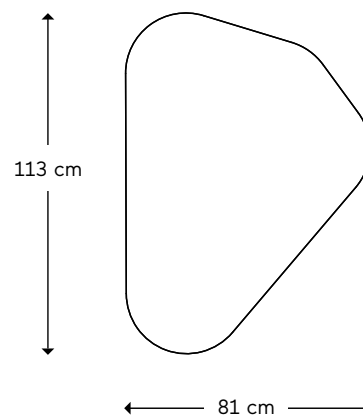
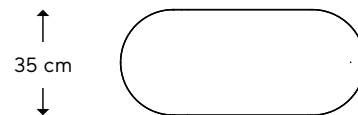
Custom finishes and fabrics available upon request.

Packaging quantity

Sold individually.

Designer

Sander Mulder



Fabric colors

● grey

○ other colors and fabrics available on request.



S1.P Stacked Stone / Small / Planter

Hunnebed is a modular seating solution, where the user can manipulate the assembly by adding stones to cleverly located pivot points, and rotating stones with 360 degree freedom of motion. Empty pivot points in an assembly can be used for electrification solutions such as an USB charging point, side table, lamp, or mains power socket.

Material

High quality upholstery fabric, foam, wood, steel.

Remark

Can also be placed freestanding on floor.

Option

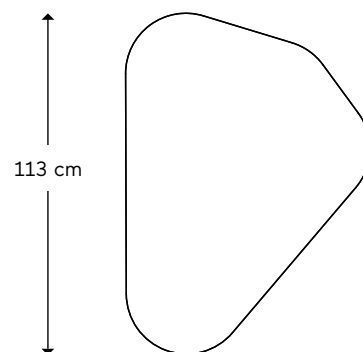
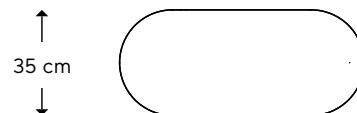
Custom finishes and fabrics available upon request.

Packaging quantity

Sold individually.

Designer

Sander Mulder



Fabric colors

- grey
- other colors and fabrics available on request.



S2 Stacked Stone / Medium

Hunnebed is a modular seating solution, where the user can manipulate the assembly by adding stones to cleverly located pivot points, and rotating stones with 360 degree freedom of motion. Empty pivot points in an assembly can be used for electrification solutions such as a USB charging point, side table, lamp, or mains power socket.

Material

High quality upholstery fabric, foam, wood, steel.

Remark

Also available without any pivot points (fully upholstered).

Option

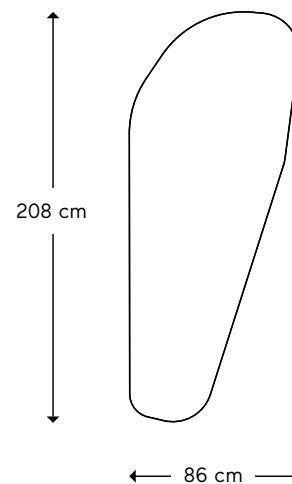
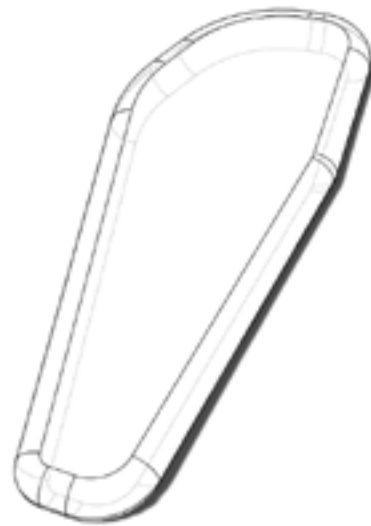
Custom finishes and fabrics available upon request.

Packaging quantity

Sold individually.

Designer

Sander Mulder



Fabric colors

- grey
- other colors and fabrics available on request.



S2.P Stacked Stone / Medium / Planter

Hunnebed is a modular seating solution, where the user can manipulate the assembly by adding stones to cleverly located pivot points, and rotating stones with 360 degree freedom of motion. Empty pivot points in an assembly can be used for electrification solutions such as a USB charging point, side table, lamp, or mains power socket.

Material

High quality upholstery fabric, foam, wood, steel.

Remark

Can also be placed freestanding on floor.

Option

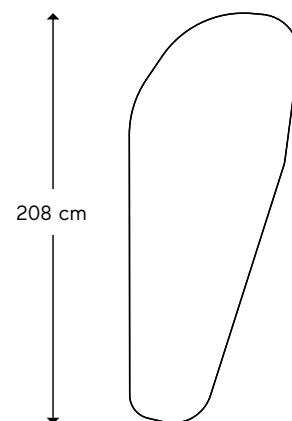
Custom finishes and fabrics available upon request.

Packaging quantity

Sold individually.

Designer

Sander Mulder



Fabric colors

- grey
- other colors and fabrics available on request.



S3 Stacked Stone / Large

Hunnebed is a modular seating solution, where the user can manipulate the assembly by adding stones to cleverly located pivot points, and rotating stones with 360 degree freedom of motion. Empty pivot points in an assembly can be used for electrification solutions such as an USB charging point, side table, lamp, or mains power socket.

Material

High quality upholstery fabric, foam, wood, steel.

Remark

Also available without any pivot points (fully upholstered).

Option

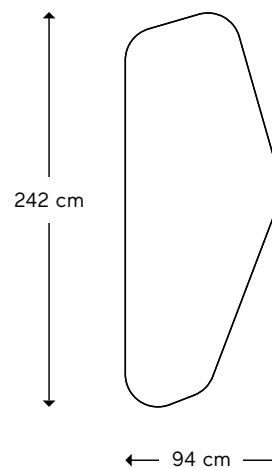
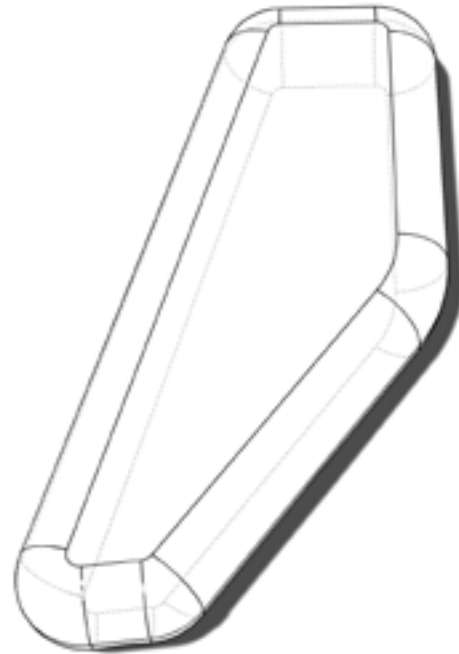
Custom finishes and fabrics available upon request.

Packaging quantity

Sold individually.

Designer

Sander Mulder



Fabric colors

● grey

○ other colors and fabrics available on request.



V1 Vertical Stone / standing backrest

Hunnebed is a modular seating solution, where the user can manipulate the assembly by adding stones to cleverly located pivot points, and rotating stones with 360 degree freedom of motion. Empty pivot points in an assembly can be used for electrification solutions such as a USB charging point, side table, lamp, or mains power socket.

Material

High quality upholstery fabric, foam, wood, steel.

Remark

Also available without any pivot points (fully upholstered).

Option

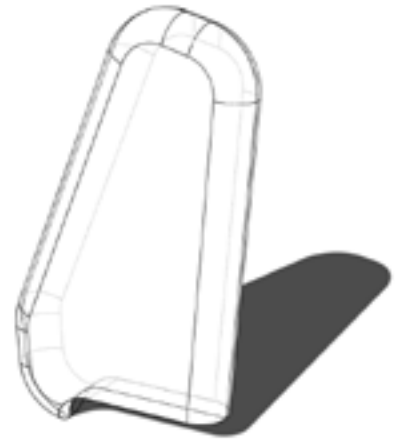
Custom finishes and fabrics available upon request.

Packaging quantity

Sold individually.

Designer

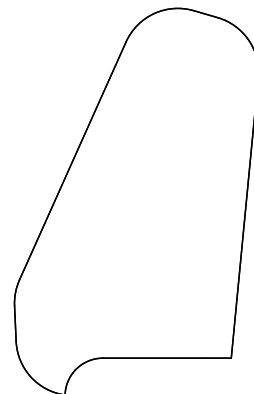
Sander Mulder



16 cm



123 cm



Fabric colors

● grey

○ other colors and fabrics available on request.



V2 Vertical Stone / laying backrest

Hunnebed is a modular seating solution, where the user can manipulate the assembly by adding stones to cleverly located pivot points, and rotating stones with 360 degree freedom of motion. Empty pivot points in an assembly can be used for electrification solutions such as an USB charging point, side table, lamp, or mains power socket.

Material

High quality upholstery fabric, foam, wood, steel.

Remark

Also available without any pivot points (fully upholstered).

Option

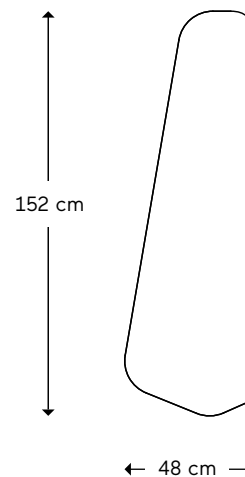
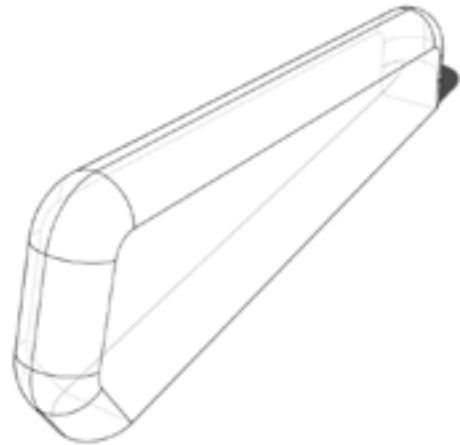
Custom finishes and fabrics available upon request.

Packaging quantity

Sold individually.

Designer

Sander Mulder



Fabric colors

- grey
- other colors and fabrics available on request.



T1 Table Round / Small

Hunnebed is a modular seating solution, where the user can manipulate the assembly by adding stones to cleverly located pivot points, and rotating stones with 360 degree freedom of motion. Empty pivot points in an assembly can be used for electrification solutions such as an USB charging point, side table, lamp, or mains power socket.

Material
Steel.

Remark
standard with 230V power socket.

Option
Custom finishes and powersockets available upon request.

Packaging quantity
Sold individually.

Designer
Sander Mulder

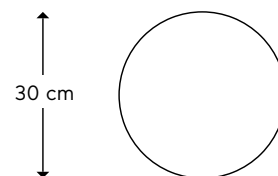
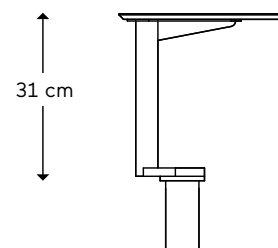


Table top finishes
 nanotech HPL in any RAL color available on request.

Frame colors
 black, micro structure powder coating.
 any RAL color available on request.





T4 Table Asymmetrical

Hunnebed is a modular seating solution, where the user can manipulate the assembly by adding stones to cleverly located pivot points, and rotating stones with 360 degree freedom of motion. Empty pivot points in an assembly can be used for electrification solutions such as an USB charging point, side table, lamp, or mains power socket.

Material
Steel.

Remark
standard with 230V power socket.

Option
Custom finishes and powersockets available upon request.

Packaging quantity
Sold individually.

Designer
Sander Mulder

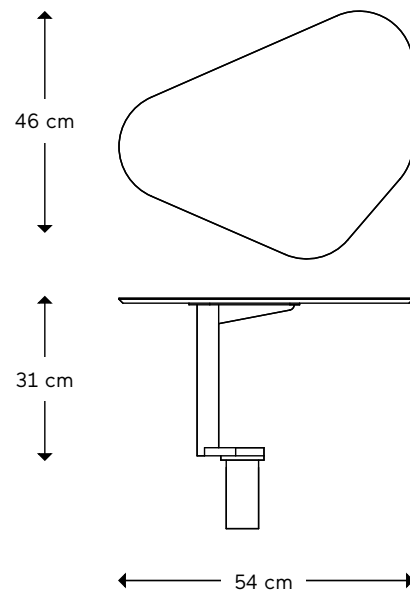


Table top finishes
 nanotech HPL in any RAL color available on request.

Frame colors
 black, micro structure powder coating.
 any RAL color available on request.



L1 Lamp / Small

Hunnebed is a modular seating solution, where the user can manipulate the assembly by adding stones to cleverly located pivot points, and rotating stones with 360 degree freedom of motion. Empty pivot points in an assembly can be used for electrification solutions such as an USB charging point, side table, lamp, or mains power socket.

Material

Steel.

Remark

standard with 230V power socket.

Option

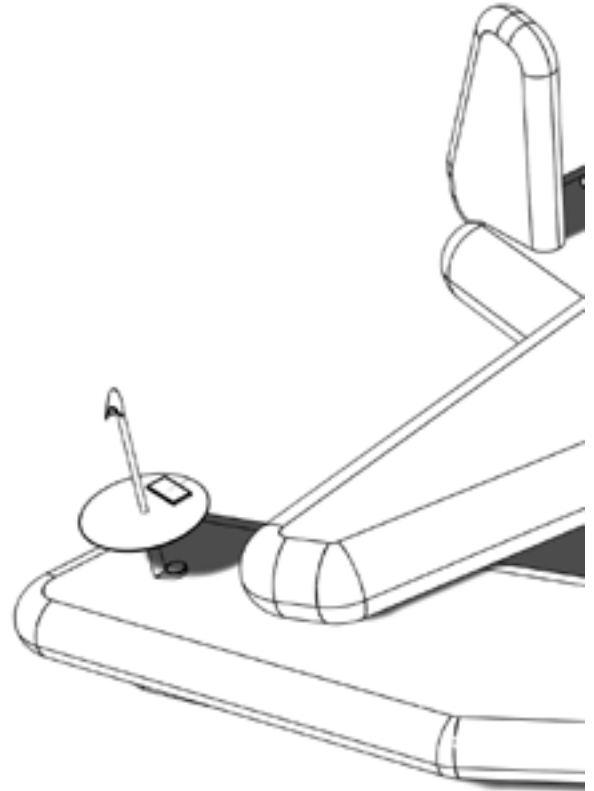
Custom finishes and powersockets available upon request.

Packaging quantity

Sold individually.

Designer

Sander Mulder



Frame colors

● black, micro structure powder coating.

○ any RAL color available on request.



L3 Lamp / Large

Hunnebed is a modular seating solution, where the user can manipulate the assembly by adding stones to cleverly located pivot points, and rotating stones with 360 degree freedom of motion. Empty pivot points in an assembly can be used for electrification solutions such as an USB charging point, side table, lamp, or mains power socket.

Material

High quality upholstery fabric, foam, wood, steel.

Remark

Also available without any pivot points (fully upholstered).

Option

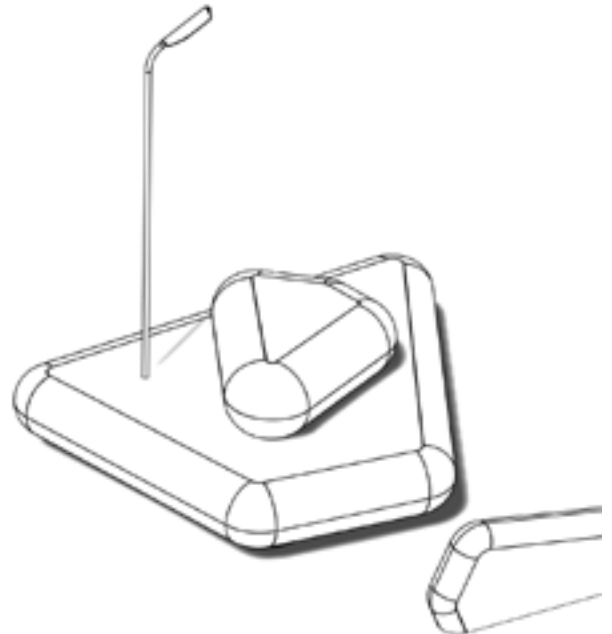
Custom finishes and fabrics available upon request.

Packaging quantity

Sold individually.

Designer

Sander Mulder



Frame colors

● black, micro structure powder coating.

○ any RAL color available on request.



P1/P2/P3 Power Sockets

Hunnebed is a modular seating solution, where the user can manipulate the assembly by adding stones to cleverly located pivot points, and rotating stones with 360 degree freedom of motion. Empty pivot points in an assembly can be used for electrification solutions such as an USB charging point, side table, lamp, or mains power socket.

Material

Plastic, steel.

Remark

Also other versions available on request (for example HDMI, Ethernet etc.)

Packaging quantity

Sold individually.

Designer

Sander Mulder



Plastic color

● black



Industry sofa

design by Studio Yonoh



Product description

The industry is a comfortable, charming sofa, constructed from a wooden base with integrated springs. The range consists of a two-seater, one-seater and a poof available in many different configurations.

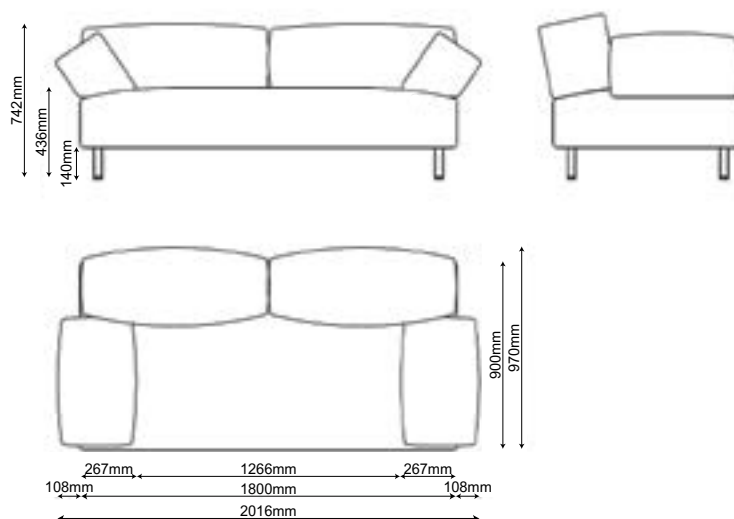
Fabrics

Available in all Drisag fabric groups.

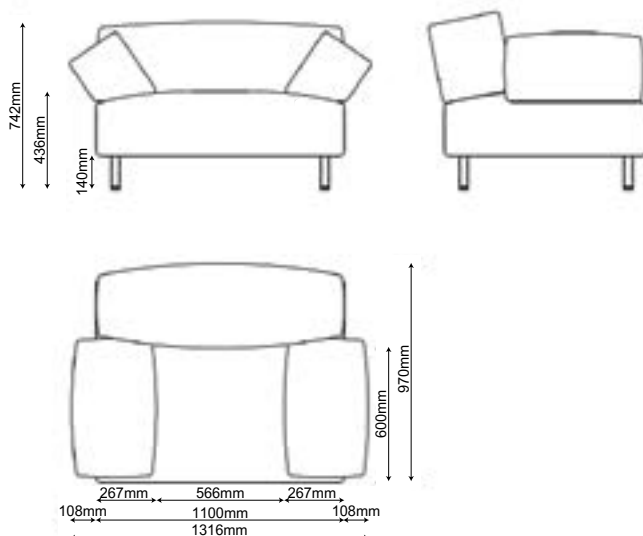
Metal colors



Dimensions Large Base

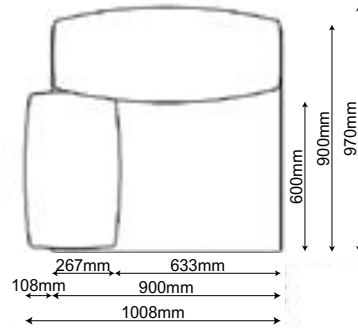
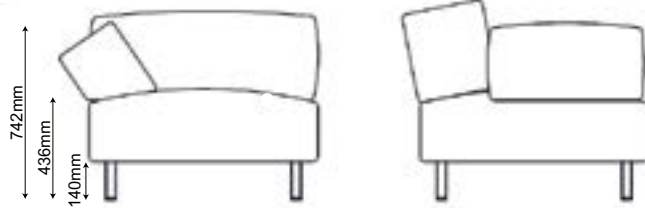


Medium Base

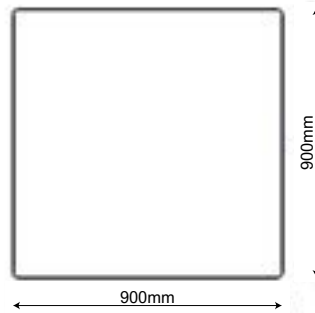




Dimensions
Small Base

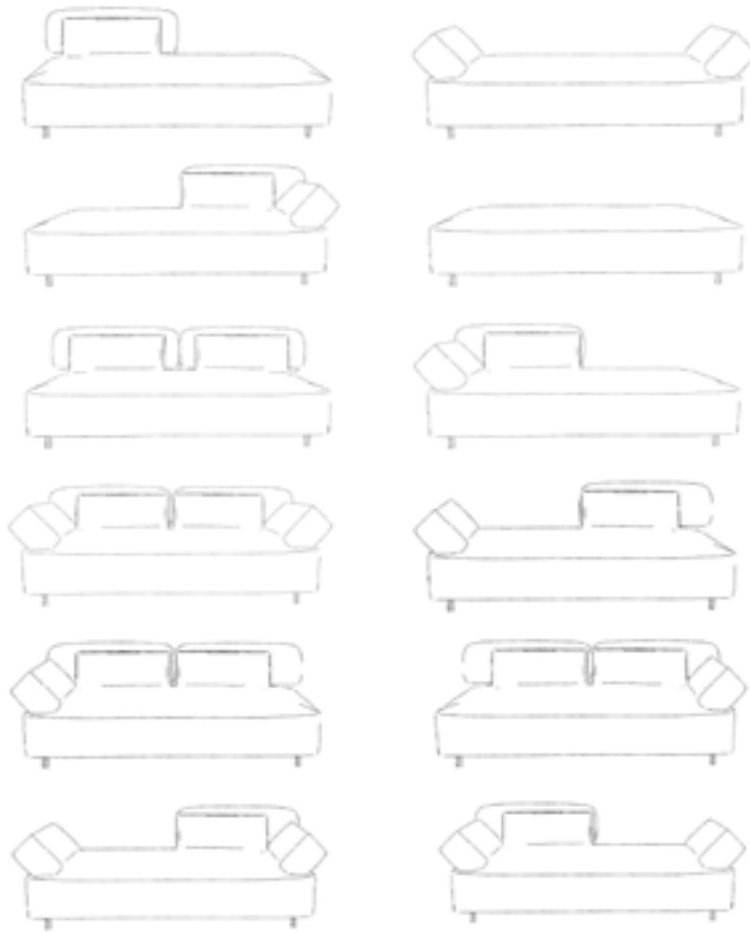


Poof Base





Models
Large Base



Medium Base



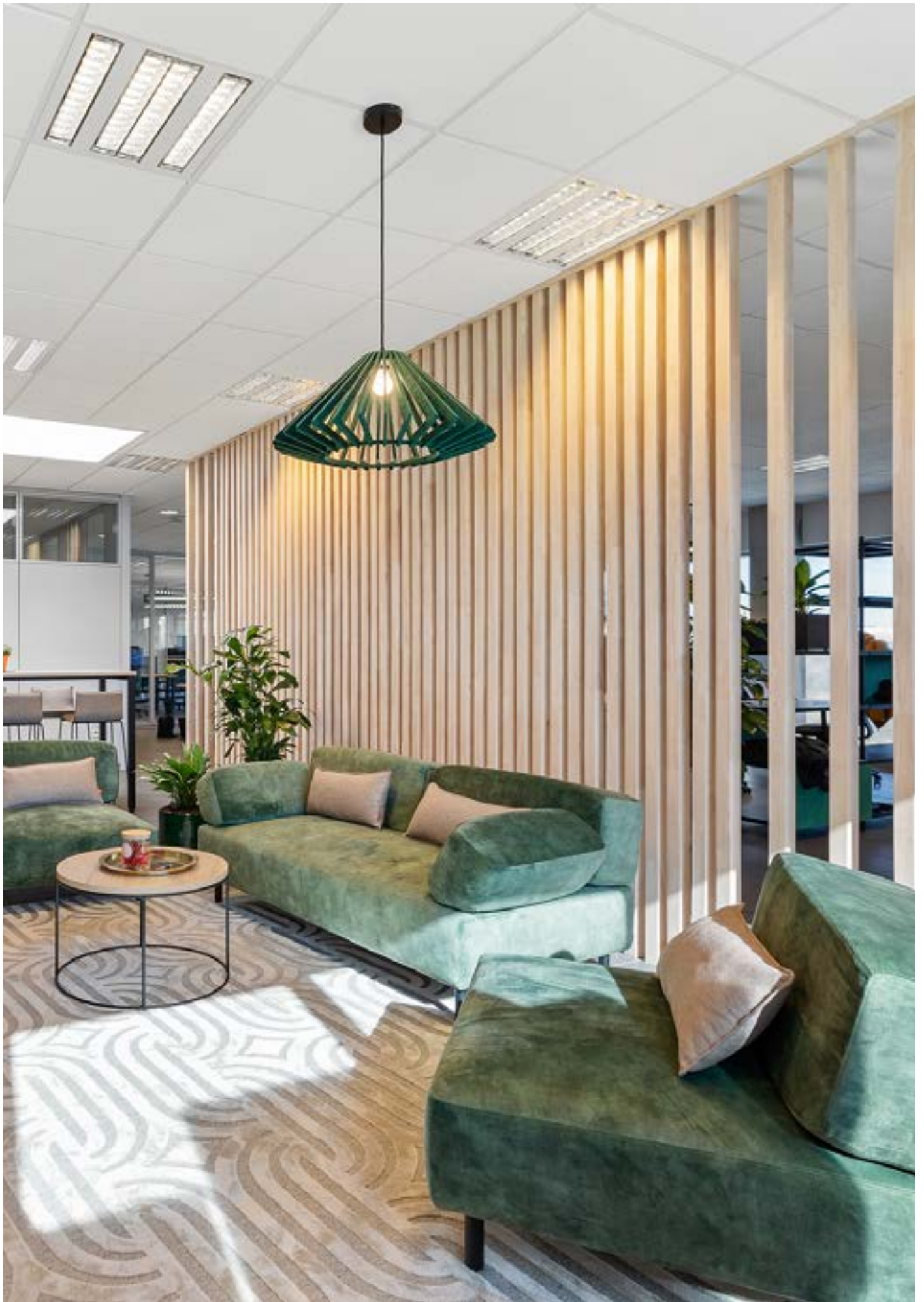
Small Base



Poof Base



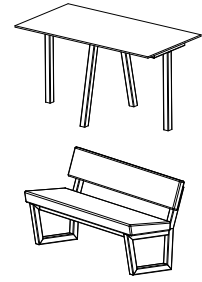






InsideOut

design by *Drisag*



Product description

Take the inside out. A range of tables and benches that can withstand all weather conditions. So just leave it outside, there is no need to take the pillows off. This range is available in 2 different lengths.

Metal colors



K40 - black RAL9005



K53 - grey blue



K50 - rusty brown



K41 - white RAL9010



K57 - pale green



K54 - beige red



K58 - dark grey RAL7016



K52 - cement grey



K55 - coral red



K51 - squirrel grey

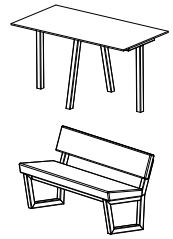


K56 - black green

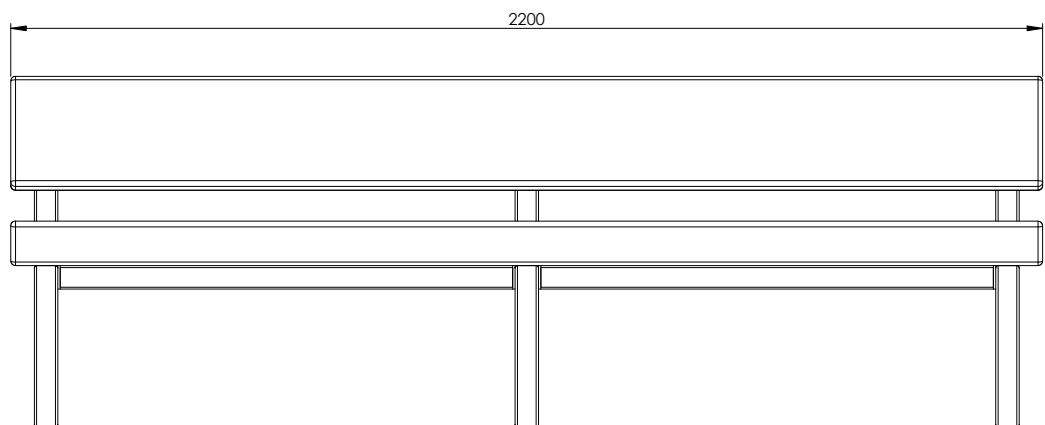
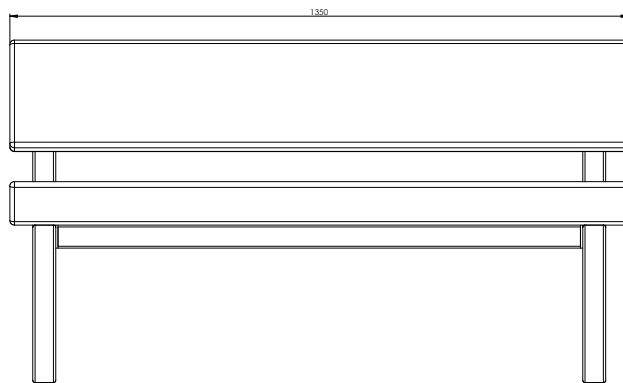
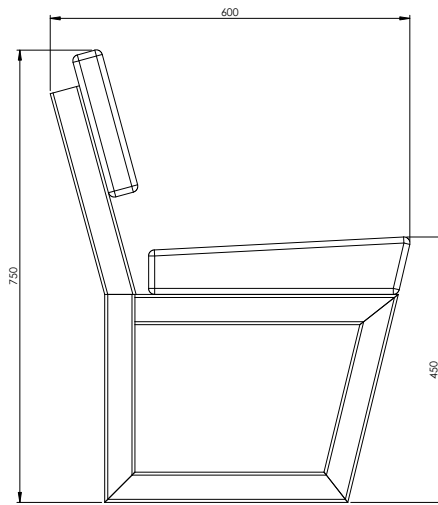
Fabrics

Sunbrella range.

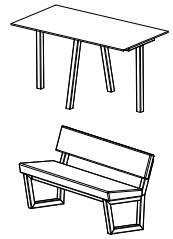
InsideOut



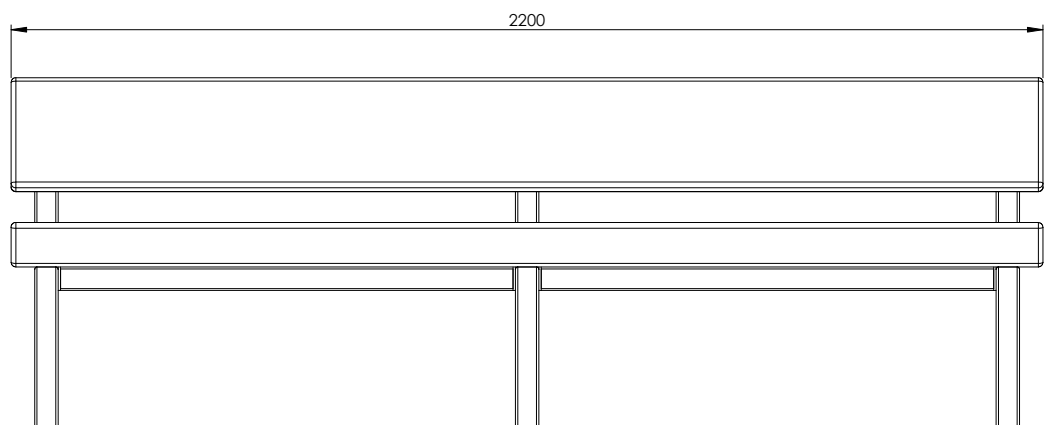
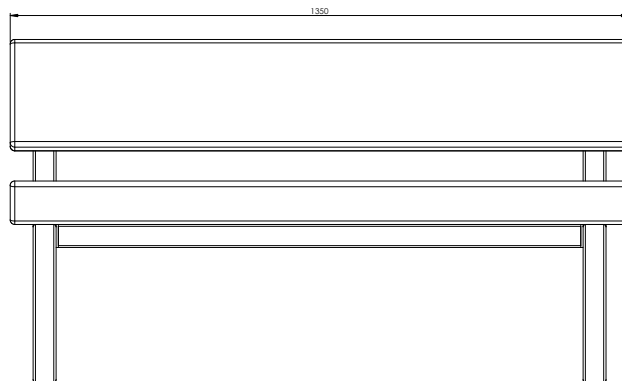
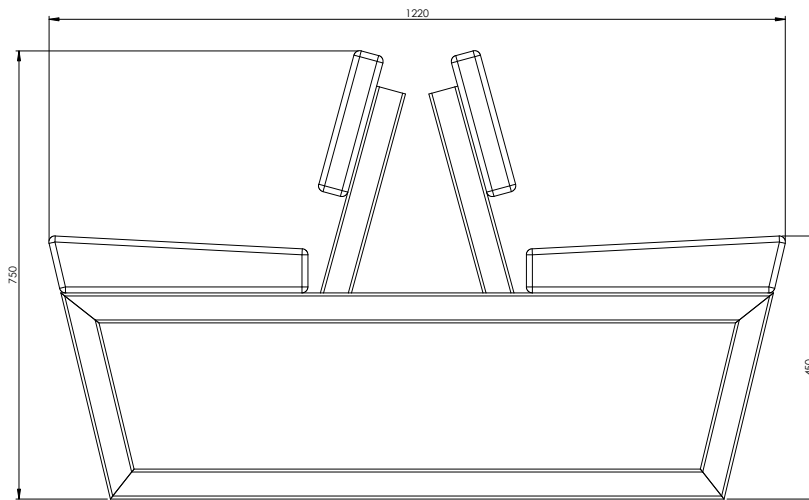
Dimensions



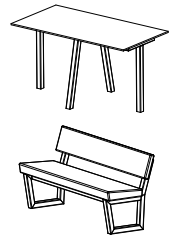
InsideOut



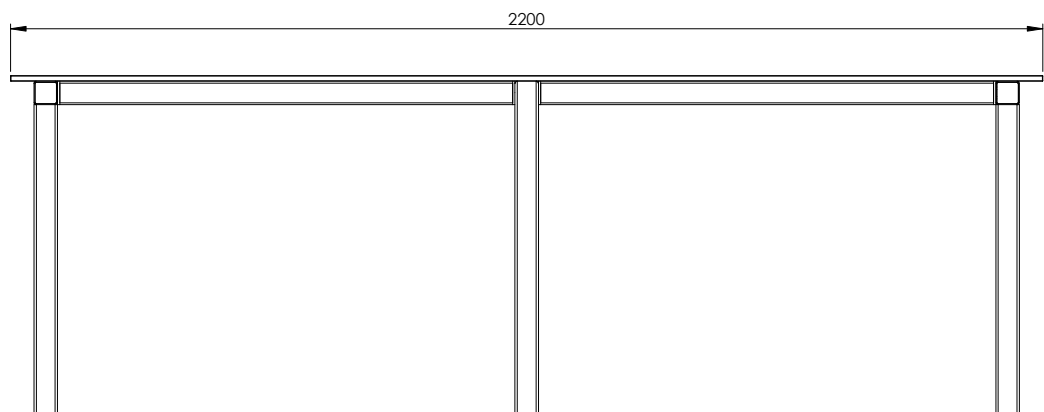
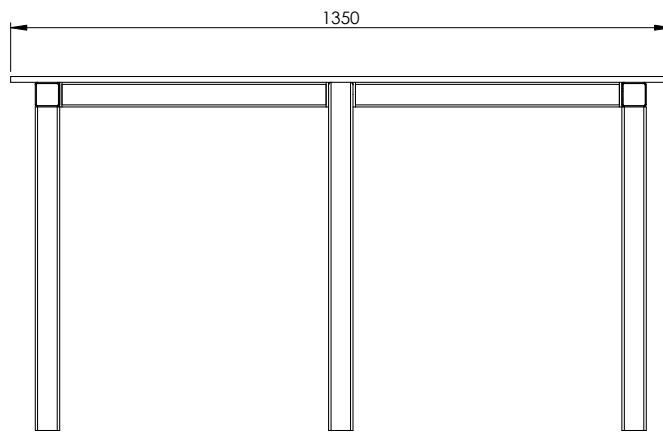
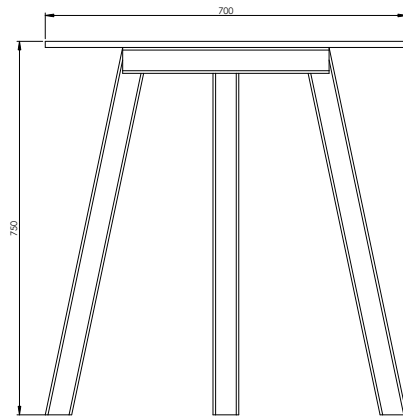
Dimensions



InsideOut



Dimensions

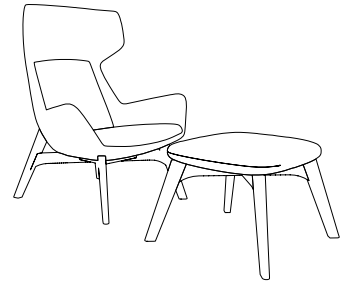






James

design by Drisag



Product description

Looking for the perfect lounge chair? James combines style and comfort seamlessly. With its upholstered seat and choice of natural or black ash wood legs, James is a timeless addition to any interior. Customize your chair with unicolor or bicolor upholstery to match your unique style.

Technical information

- Seat shell: Robust shell with a metal frame and cold foam
- Upholstery: Available in fabric or leather, in unicolor or bicolor options
- Base: Solid ash wood legs, natural or black, equipped with plastic or felt gliders.

Fabrics

Available in all Drisag fabric groups.

Wood type (Legs)

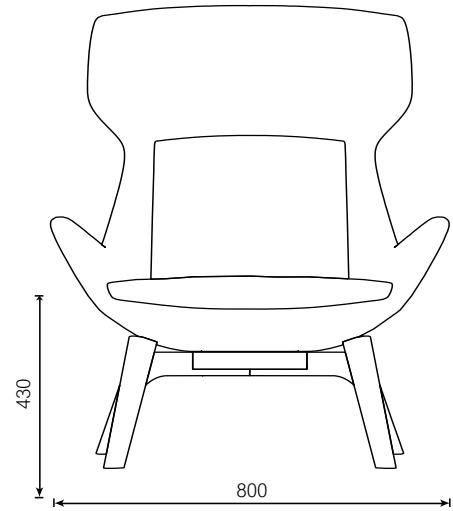
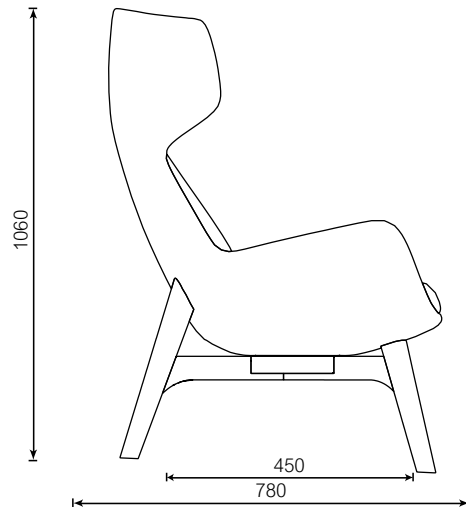


James

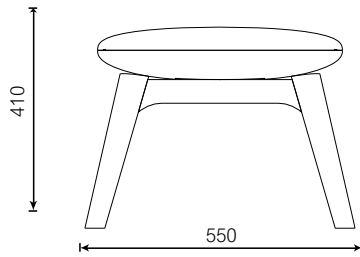


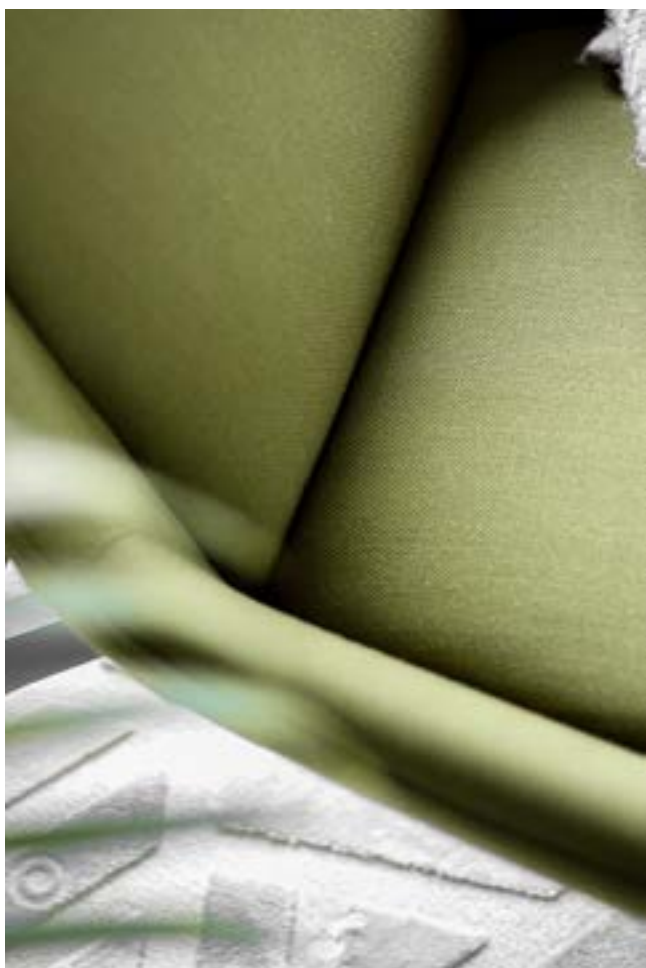
Dimensions

Lounge



Pouf







July

design by Drisag



Product description

Meet July, the perfect blend of elegance and comfort. This lounge chair stands out with its sleek design and customizable options. Upholstered in unicolor or bicolor fabric or leather, July adds a stylish and personal touch to any space.

Technical information

- Seat shell: Robust shell with a metal frame and cold foam
- Upholstery: Available in fabric or leather, in unicolor or bicolor options
- Base: Solid ash wood legs, natural or black, equipped with plastic or felt gliders.

Fabrics

Available in all Drisag fabric groups.

Wood type (Legs)

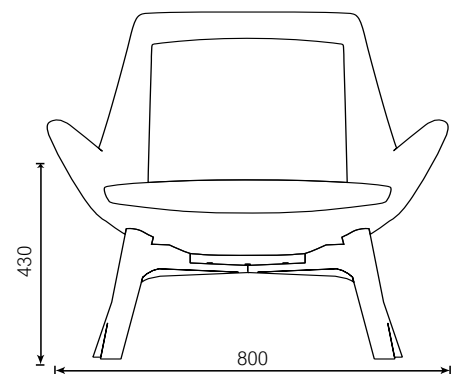
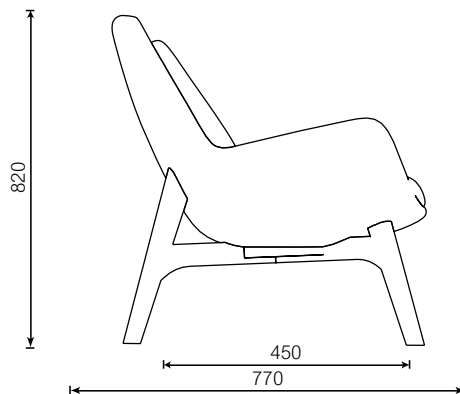


Natural ash



Black ash

Dimensions



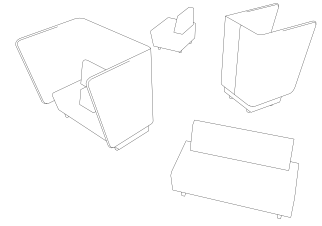






JustMe/JustUs

design by *Drisag*



Product description

In an optimal working environment you sometimes isolate yourself. With Just Us/Just Me you create a comfortable & discreet seating area. For yourself or with someone else.

Technical information

- Hood: 25 mm steel tube frame upholstery or without hood
- Bench: fully upholstered in fabric, leather or artificial leather
- Legs: solid beech

Fabrics

Available in all Drisag fabric groups.

Note: The hood is only available in spazio.

Wood type

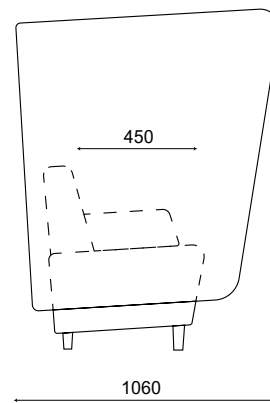
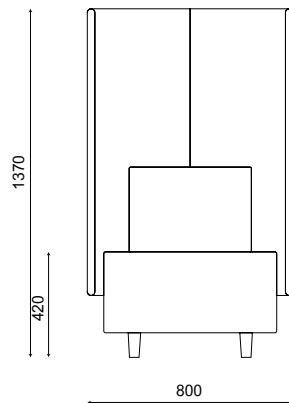


Solid beech

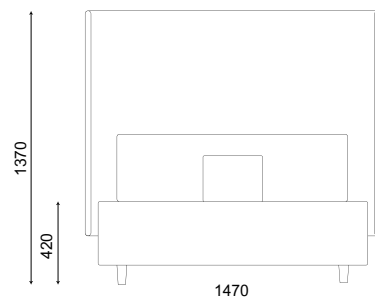
Options

Fully upholstered armrest in fabric, leather or artificial leather.

Dimensions Just me



Just us













Maya

design by Drisag



Product description

A comfortable sofa designed according to Drisag's values. This sofa is designed in such a way that it is easy to reupholster or to dismantle into its basic components for reuse.

Metal colors (Legs)



K40 - black RAL9005



K53 - grey blue



K50 - rusty brown



K41 - white RAL9010



K57 - pale green



K54 - beige red



K58 - dark grey RAL7016



K52 - cement grey



K55 - coral red



K51 - squirrel grey

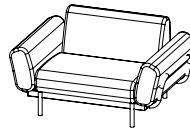
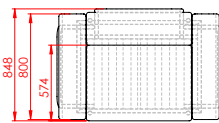
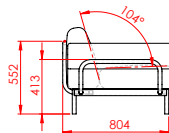
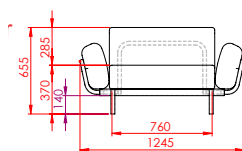


K56 - black green

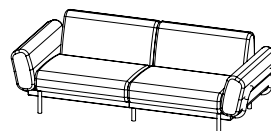
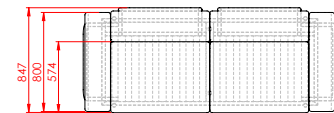
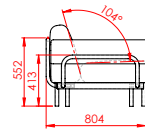
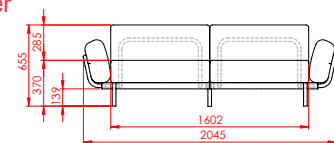
Fabric

Available in all Drisag fabric groups.

Dimensions



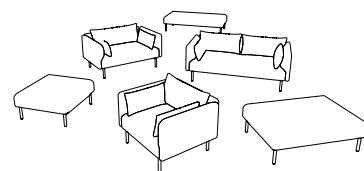
ter





Nest

design by Drisag



Product description

A comfortable modular sofa designed according to Drisag's values. This sofa is designed in such a way that it is easy to reupholster or to dismantle into its basic components for reuse.

Metal colors (Legs)



K40 - black RAL9005



K53 - grey blue



K50 - rusty brown



K41 - white RAL9010



K57 - pale green



K54 - beige red



K58 - dark grey RAL7016



K52 - cement grey



K55 - coral red



K51 - squirrel grey

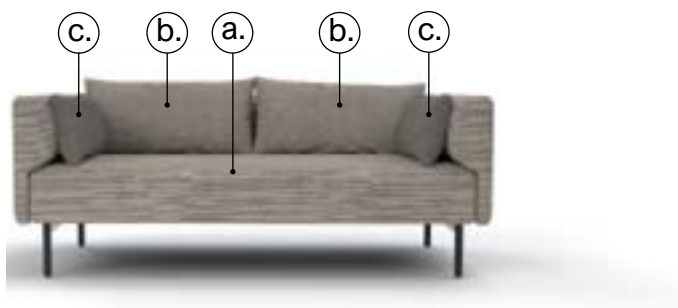


K56 - black green

Fabric

Available in all Drisag fabric groups.

* optional bi- or tricolor (fabric a, b & c)

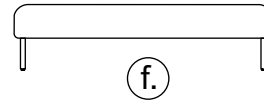
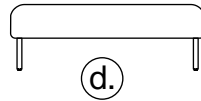
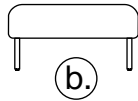
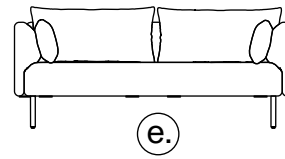
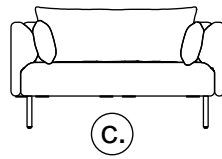
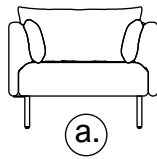


Nest



Dimensions

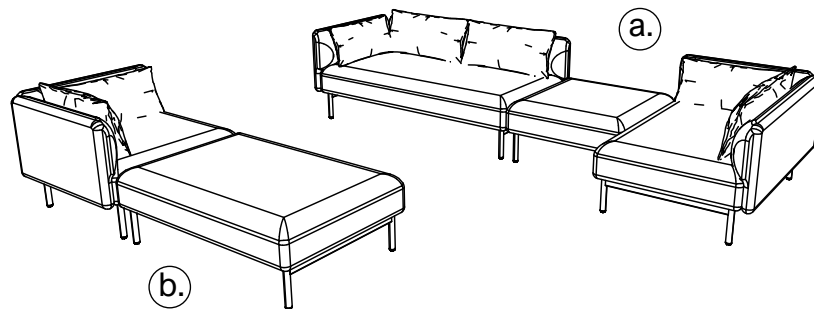
- | | | |
|----|---------------|--|
| a. | 1-seater | 100x90cm (base 80x80 + 2 arms + 1 back) |
| b. | 1-seater base | 80x80cm |
| c. | 2-seater | 140x90cm (base 120x80 + 2 arms + 1 back) |
| d. | 2-seater base | 120x80cm |
| e. | 3-seater | 180x90cm (base 160x80 + 2 arms + 1 back) |
| f. | 3-seater base | 160x80 |



Modular

Nest consists of individual modules that can be placed side by side to form a cohesive setup. Each module is designed either as a pouf or with both an armrest and backrest in a single corner, a structural requirement that ensures overall stability. This makes Nest a flexible and reliable solution for a wide range of settings.

- | | | | |
|----|---------------------------|----|---------------------------|
| a. | 1x 3-seater base 160x80cm | b. | 1x 1-seater base 80x80cm |
| | 1x arm 80cm | | 1x arm 80cm |
| | 1x back 160cm | | 1x back 80cm |
| | 1x 1-seater base 80x80cm | | 1x 2-seater base 120x80cm |
| | 1x 2-seater base 120x80cm | | |
| | 1x arm 80cm | | |
| | 1x back 120cm | | |

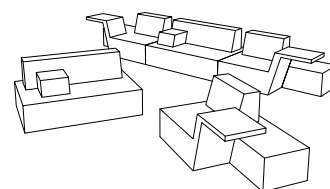






Oasis

design by Bram Boo



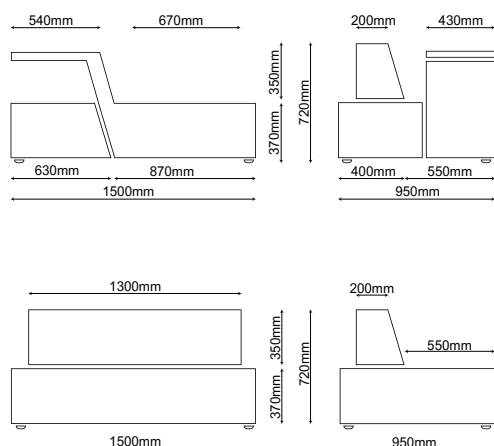
Product description Simple design, striking comfort. Lounge sofa Oasis is the ideal addition to a pleasant workplace.

Technical information The Oasis is made out of a wooden structure, covered in PU foam and fully upholstered.

Fabrics Available in all Drisag fabric groups.

- Options**
- Pouf (H300,50x850x950mm)
 - Large cushion (850x950mm)
 - Small cushion (400x400mm)
 - Arm-rest

Dimensions



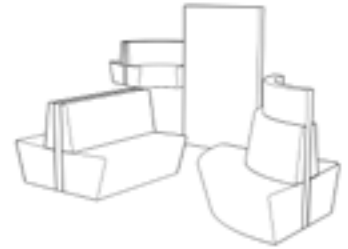






Ply

design by Drisag



Product description This modular solution is so diverse that it offers you the opportunity to create the perfect landscape in your working environment. Curly or straight, from high to low, all the colors you can imagine. Go wild and get creative.

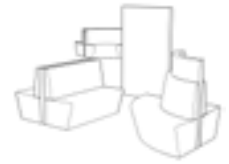
Technical information All parts: upholstered PU foam, on a wooden structure (except back cushions)

Fabrics Available in all Drisag fabric groups.

Options Implemented power supply in one or more units or in table top.

Models/Dimensions Height: H900, H1200, H1500, H1800, H2100
Length: L650, L850, L1300, L1700, L1950

height 900							
height 1200							
height 1500							
height 1800							
	wall 60°	wall 650(1)	wall 1300(1)	wall 1950(1)	wall 1100(1)	sidewall 1100(1)	sidewall 600(1)



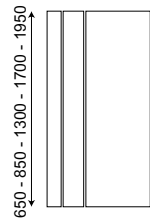
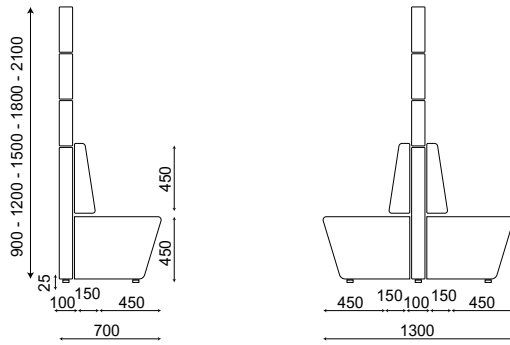
Models/Dimensions

height 900						
height 1200						
height 1500						
height 1800						
	single 650(1)	double 650(1)	single 1300(1)	double 1300(1)	single 1950(1)	double 1950(1)

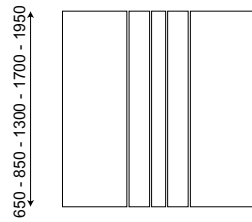
height 900			
height 1200			
height 1500			
height 1800			
	curved 60° seating inside	curved 60° seating outside	curved 60° seating double



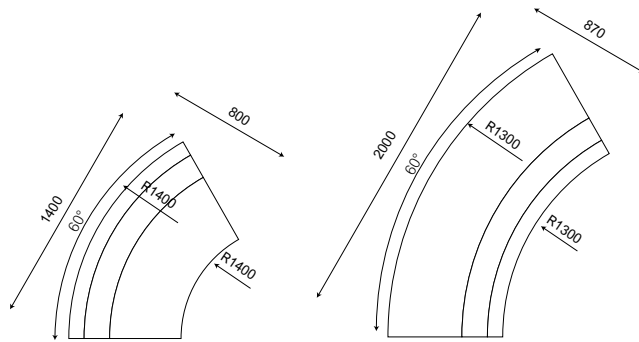
Models/Dimensions



Single

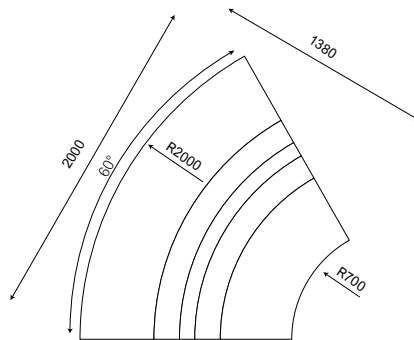


Double



Curved 60° Inside

Curved 60° outside



Curved 60° double







PlyBooth

design by Drisag



Product description

Ply booth is a modular room that offers great comfort and can be used as meeting room or temporary workplace.

The booth is fully upholstered and provides great acoustical performance on the inside as well as on the outside. Installation is easy and 100% plug and play. Electrification and ventilation are standard.

Ply booth is available in two versions. A small version which can be used by a single person and a large version which can be used by various people.

Technical information

- Roof: fully upholstered including:
 - electrification
 - ventilation, low: 225m³/h high: 318m³/h
 - cubical ceiling luminaire 3000 K 6,8 W, 630 lm 100 % direct wide beam
 - motion sensor
- Frame: ash wood and toughened glass 6mm or fully upholstered wall
- Door: toughened glass 8mm
- Handle: leather
- Walls: upholstered
width: 650mm - 850mm - 1300mm
height: 2100mm
- Floor: fiberboard panels, covered with carpet tiles with floor leveling system

Options

- Fixed benches: length: 650mm - 850mm - 1300mm - 1700mm - 1950mm
- Table
- 3 power/data connections
- Tv screen holder with cable grommets

Fabrics

Available in all Drisag fabric groups.

Wood type



White stained
ash

Metal color



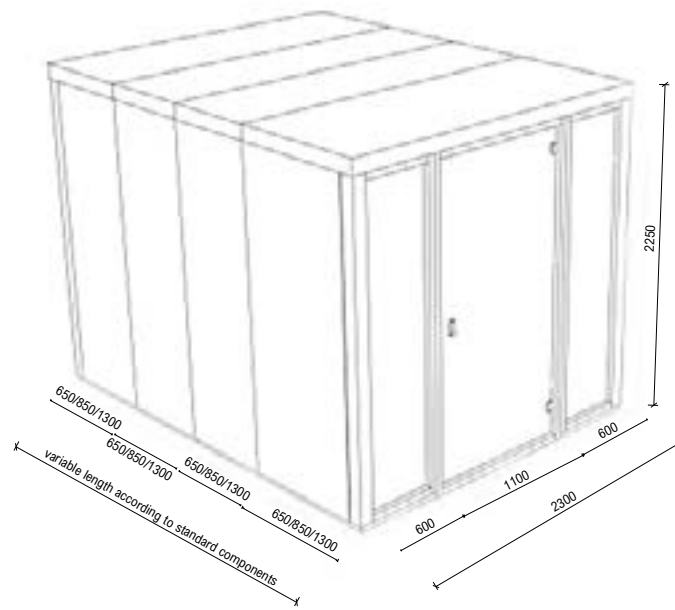
K41 - white RAL9010

Ply Booth

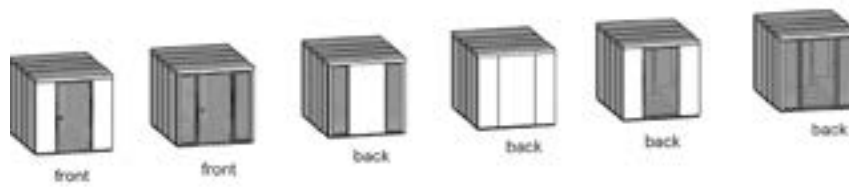


Dimensions

- Height: 2250mm
- Width: 2100mm
- Depth: variable



Models





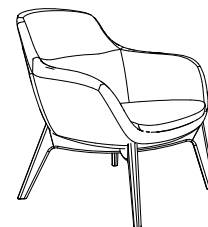






Sofie

design by Drisag



Product description

Elevate your lounge experience with Sofie, a beautifully crafted chair that combines timeless design with exceptional comfort. Sofie offers a customizable touch with upholstered seating available in unicolor or bicolor options, in your choice of fabric or leather.

Technical information

- Seat shell: Robust shell with a metal frame and cold foam
- Upholstery: Available in fabric or leather, in unicolor or bicolor options
- Base: Solid ash wood legs, natural or black, equipped with plastic or felt gliders.

Fabrics

Available in all Drisag fabric groups.

Wood type (Legs)

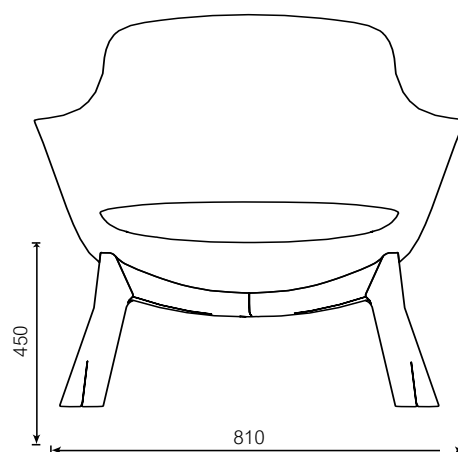
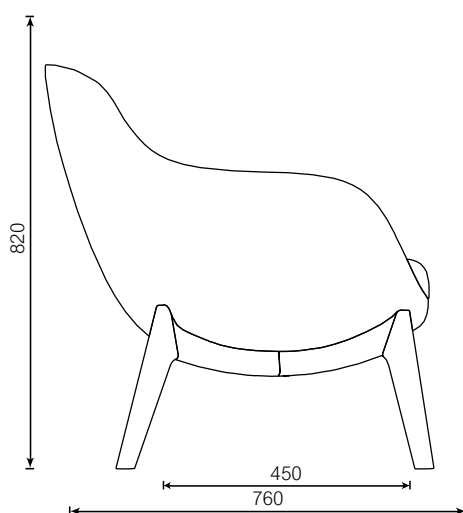


Natural ash



Black ash

Dimensions









Will

design by Drisag



Product description



Will, waiting in line. This bench made from reclaimed material from prio desks contributes to drisag's CE story. Multi-purpose and available in different lengths.

Metal colors



K40 - black RAL9005



K53 - grey blue



K50 - rusty brown



K41 - white RAL9010



K57 - pale green



K54 - beige red



K58 - dark grey RAL7016



K52 - cement grey



K55 - coral red



K51 - squirrel grey



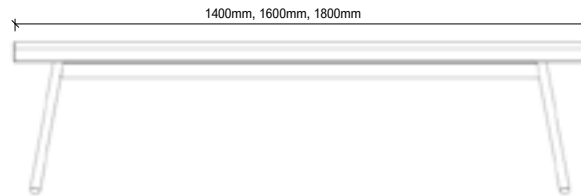
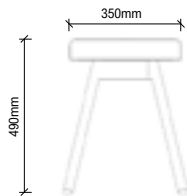
K56 - black green

Fabrics

All Drisag fabrics.

Dimensions

Lengths: 1400mm, 1600mm, 1800mm









Zenn












design by Drisag



Product description

A modular range of metal bed frames. Brighten up your bedroom by choosing a trendy color. Mattress not included.

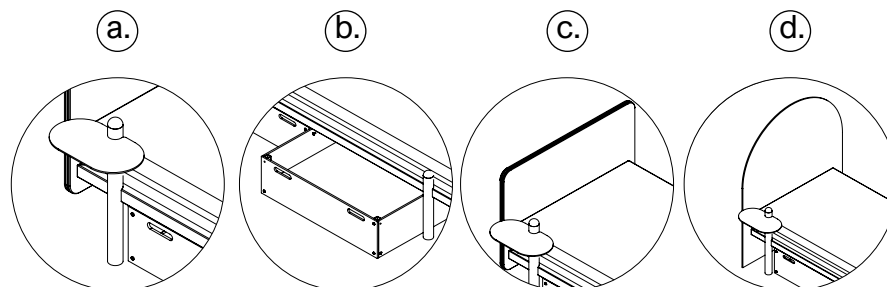
Metal colors

	K40 - black RAL9005		K53 - grey blue		K50 - rusty brown
	K41 - white RAL9010		K57 - pale green		K54 - beige red
	K58 - dark grey RAL7016		K52 - cement grey		K55 - coral red
	K51 - squirrel grey		K56 - black green		

Accessories

a.	Bedside table	35x20cm H50cm	All metal colors
b.	Bedbox	80x75cm H23cm	All metal & felt colors
c.	Headboard (Upholstered)	90, 100, 130, 150, 170, 190cm H60cm	All drisag fabric groups
d.	Headboard (PET Felt)	100, 110, 140, 160, 180, 200cm H60cm	All felt colors

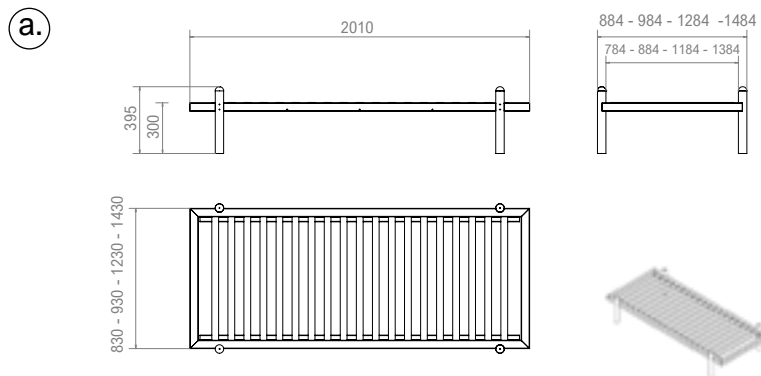
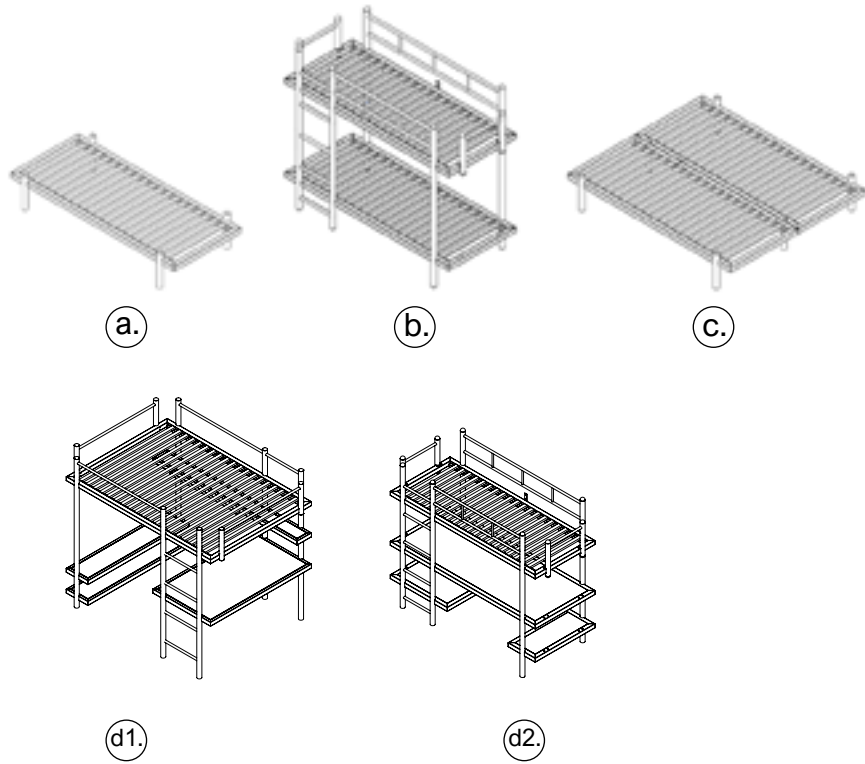
Note: headboards in function of respective bed widths 80, 90, 120, 140, 160, 180cm.





Dimensions

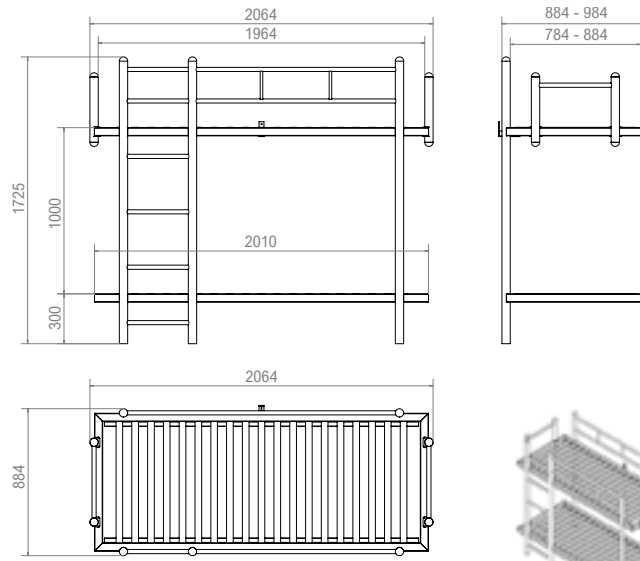
- a. Single pers. bed 80x200cm, 90x200cm, 120x200cm, 140x200cm
- b. Bunk bed 80x200cm, 90x200cm
- c. Two pers. bed 160x200cm, 180x200cm
- d. Loft bed d1. 140x200cm, d2. 90x200cm



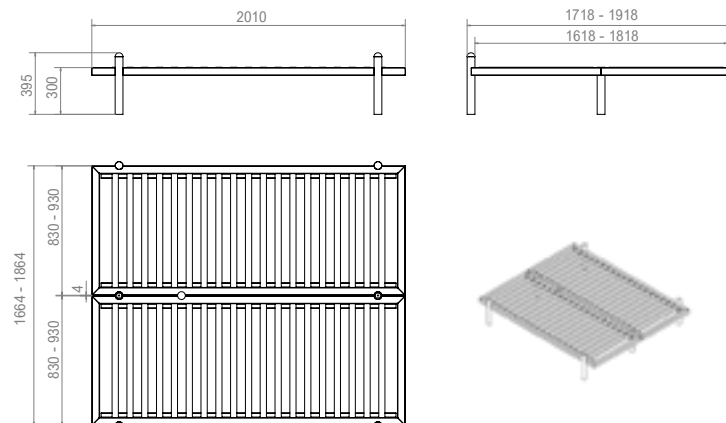


Dimensions

b.



c.







Storage

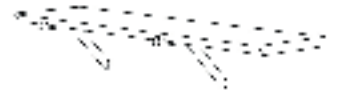
Nobody likes a messy workplace. Treat your interior with some smart and fun solutions to keep everything organized and tidy.





Cliff

design by Drisag



Product description

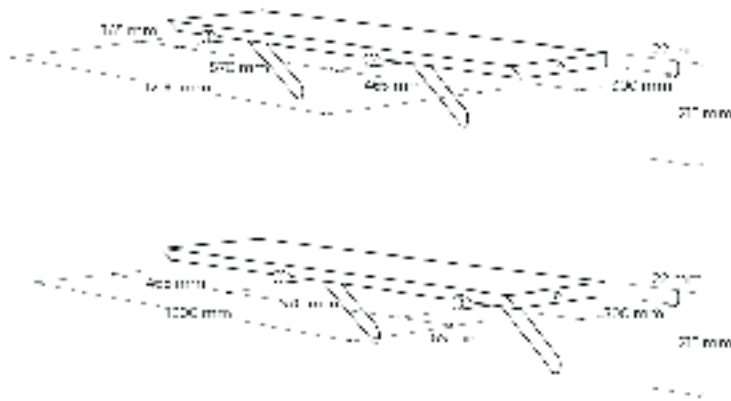
Lefty or rightie? This clever piece of craftsmanship comes in two types. Choose which one best suits your interior or combine the two. They are crafted from solid oak and are finished in such a way that they will serve for many years.

Wood Type



Solid Oak

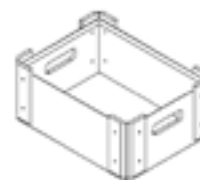
Dimensions





Crate

design by Drisag



Product description

These handy crates are available in different colors and sizes. This felt product also improves acoustics and is made from recycled PET bottles. In doing so, they contribute to the circular economic chain at drisag. They are stackable and can be equipped with various options such as a lid, name card holder, etc. In short, this article is a must have for every workplace.

Felt colors

Available in all Drisag felt colors.

Characteristics



Recycled & recyclable



Sound absorption



Fire retardant
Bs1 - 0d0



Made from
PET bottles

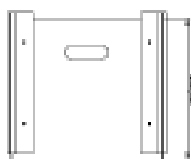
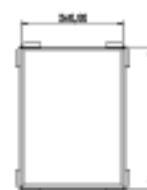
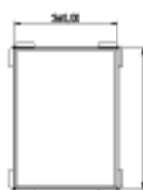
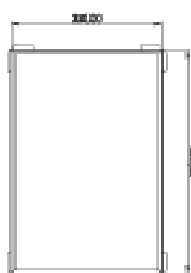


Usable as
a pin board

Options

- Lid
- Name card holder
- Felt subdivider

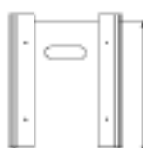
Dimensions



A3 High



A3 Low



A4 High



A4 Low



Discount set

A set with minimal felt waste. Consisting of three A4 low, one A4 high and one A3 low crates. With this set, all crates are provided with felt dividers and two A4 crates are provided with a lid.

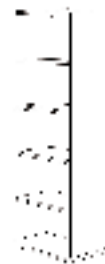






Den

design by Drisag



Product description

Beautiful in its simplicity. An obvious shape, made with attention to detail. This solid oak cabinet blends into many interiors and takes it to a higher level.

Wood Type



Solid Oak

Dimensions





Notes

design by Drisag



Product description

Make your own melody with this coat rack. Available in 4 different sizes and many different colours (caps on the end of the tubes are always black).

Metal colors



K40 - black RAL9005



K53 - grey blue



K50 - rusty brown



K41 - white RAL9010



K57 - pale green



K54 - beige red



K58 - dark grey RAL7016



K52 - cement grey



K55 - coral red



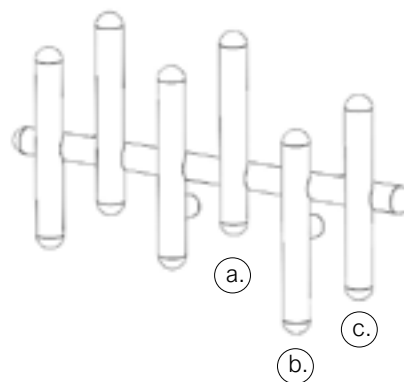
K51 - squirrel grey



K56 - black green

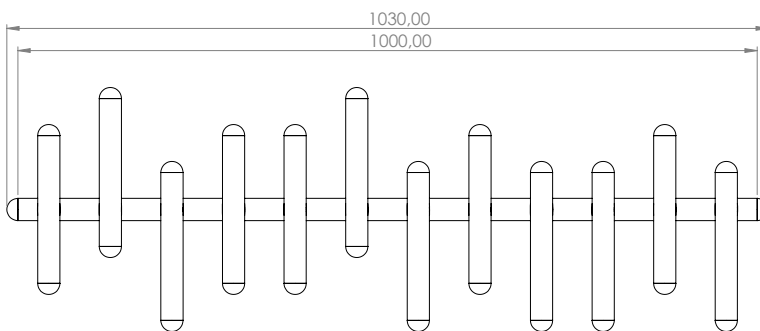
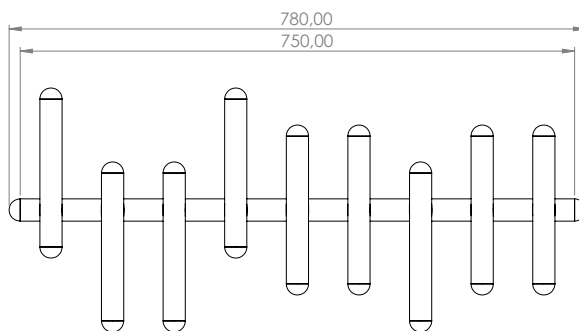
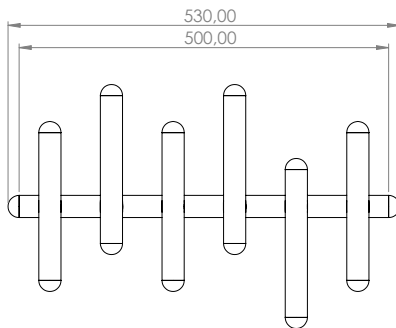
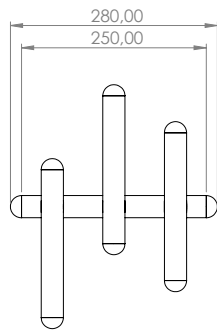
Concept

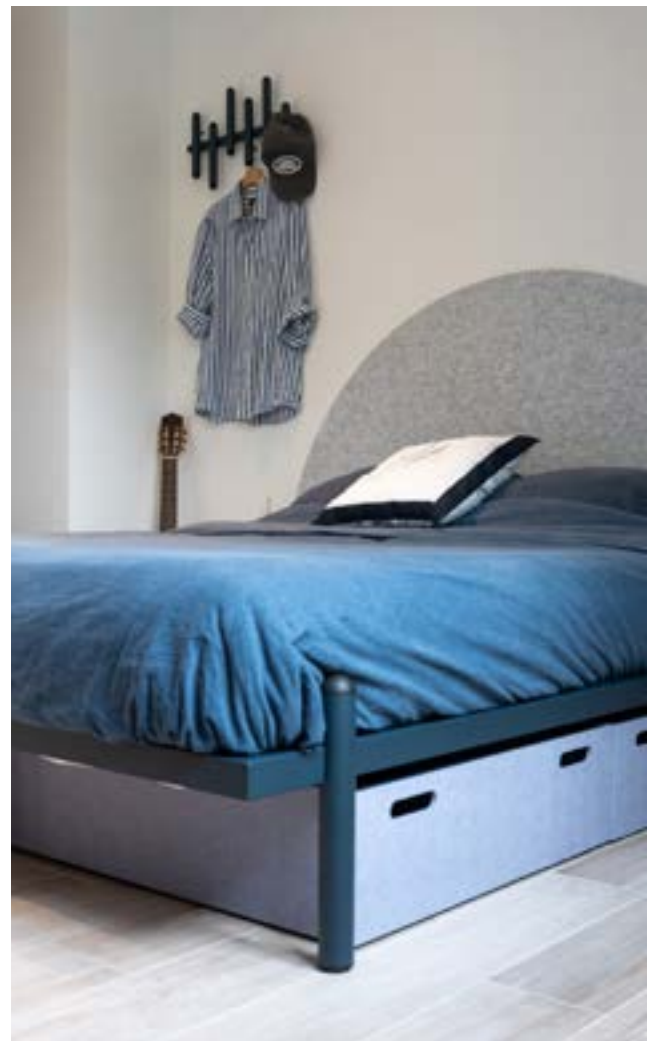
The "hooks" can be mounted in 3 different positions. Create your own arrangement.





Dimensions

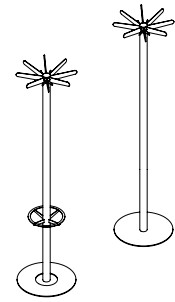






SA100

design by Drisag



Product description

A simple but sophisticated coat rack. At the top, a rotating section where coats, scarves, etc can be hung. Available in two variants, with or without umbrella holder and drip tray.

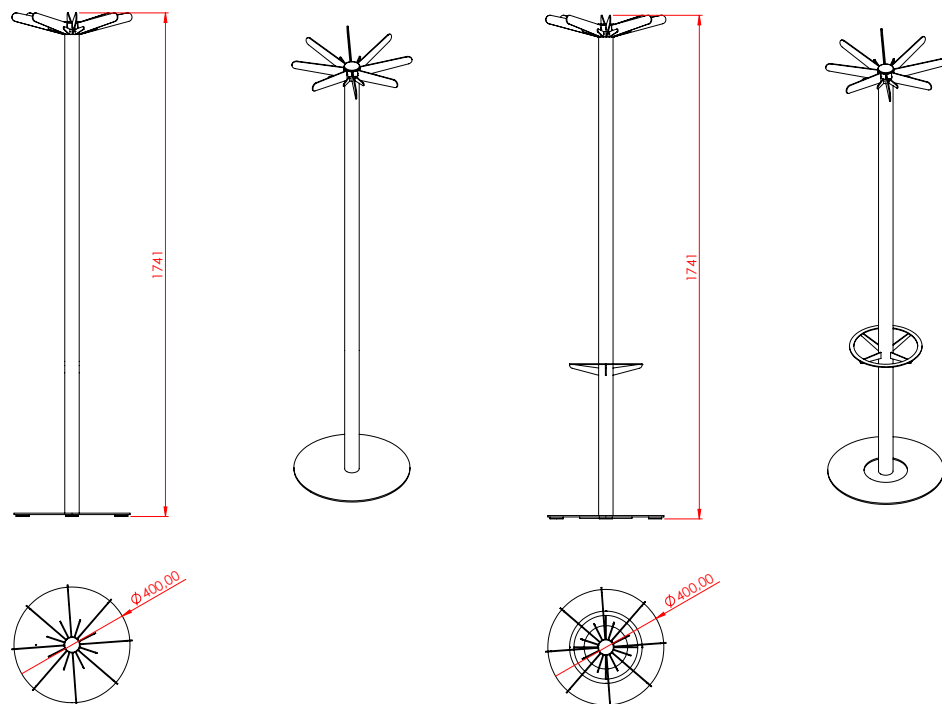
Technical information

Composed of 3 separate metal powder-coated parts. A rotating upper part (crown) fitted with 8 large and 8 small hooks. The middle part consisting of a pole (diameter 50mm) with or without umbrella holder. At the bottom a metal disc (diameter 400mm, thickness 5mm) with or without drip tray. This coat stand is fitted with adjustable feet to accommodate small height differences in the floor.

Metal colors



Dimensions



Model A

Model B







SA21

design by Drisag

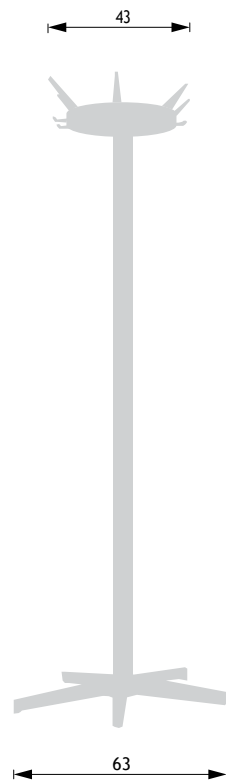
Product description Coat hanger.

Materials Powdercoated metal base and shaft with a powdercoated cast aluminium crown..

Metal colors



Dimensions









San Pedro

design by Stefan Shöning



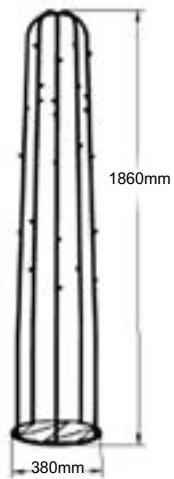
Product description

Just like a cactus, that keeps growing even if it falls over, the San Pedro coat rack welcomes unique visitors day in, day out. Over and over.

Metal colors

 K40 - black RAL9005	 K53 - grey blue	 K50 - rusty brown
 K41 - white RAL9010	 K57 - pale green	 K54 - beige red
 K58 - dark grey RAL7016	 K52 - cement grey	 K55 - coral red
 K51 - squirrel grey	 K56 - black green	

Dimensions



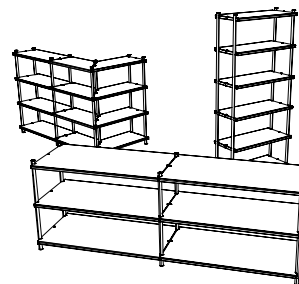






Stellar

design by Drisag



Product description

The Stellar has a wide range of parts that can be combined together to create an infinite number of configurations. Use it as a partition or as storage space and take your workplace to a higher level. Combine our metal colors to give your Stellar its own personality.

Metal colors

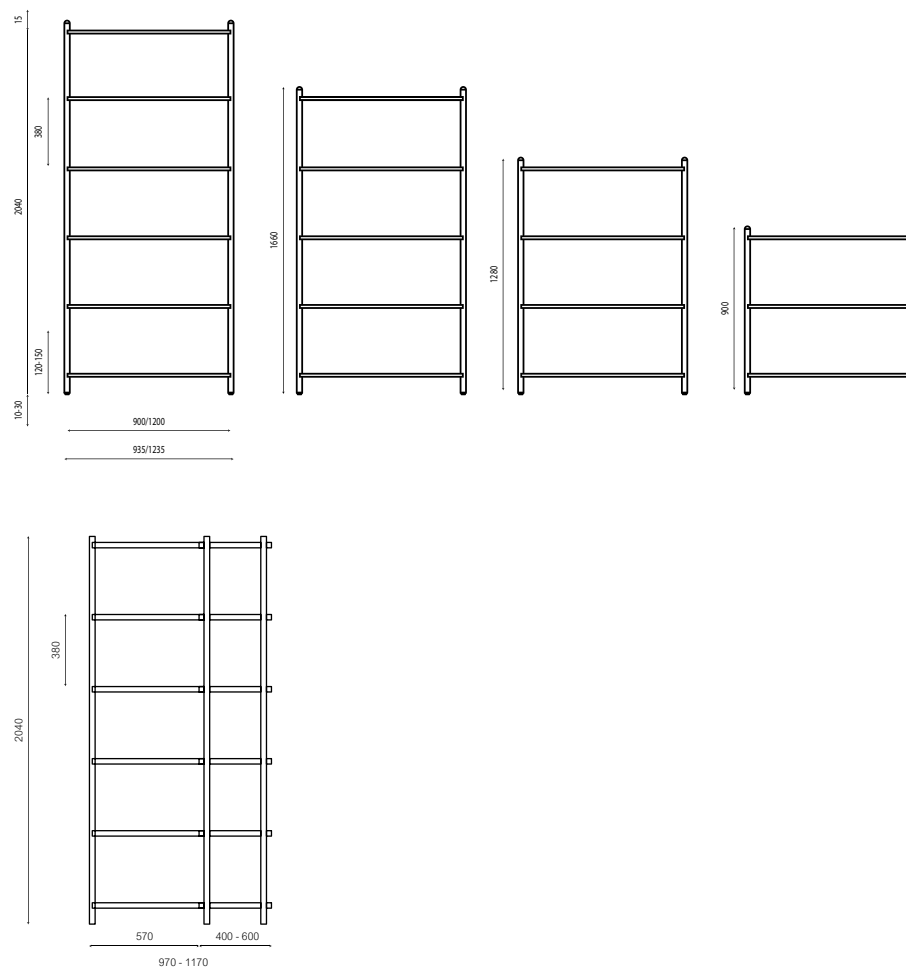
Frame and shelves available in individual colors.



Options

Metal back plate 90 - 120 cm, color can be chosen independently of the frame or

Dimensions



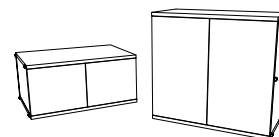






Stellar cabinet

design by Drisag



Product description

Only to be used when combined with stellar. Closed cabinet program with tip-on doors. Available in 4 sizes.

Technical information

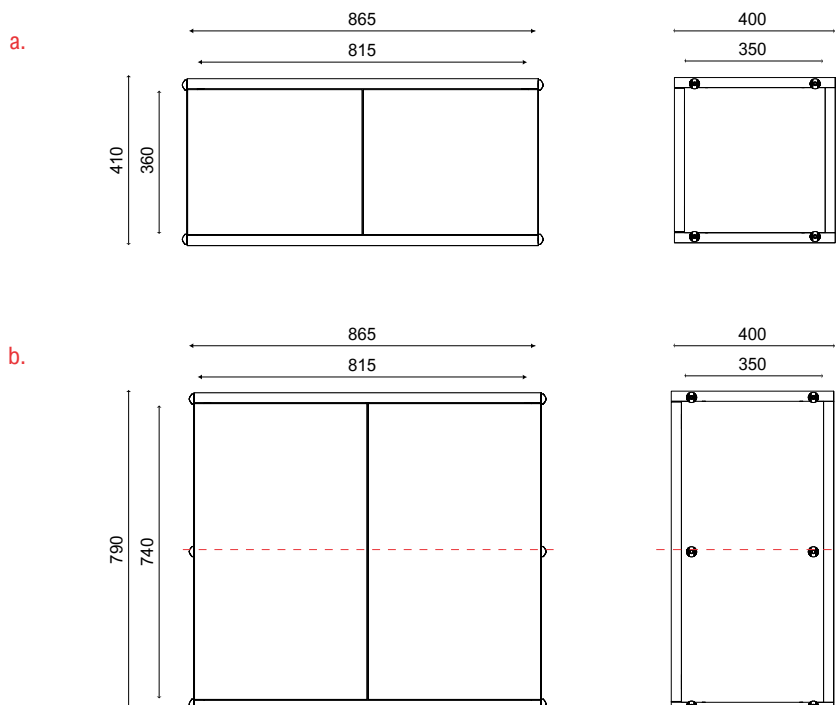
- Material: 25mm melamine
- Doors: tip-on function
non-self-closing doors

Melamine colors

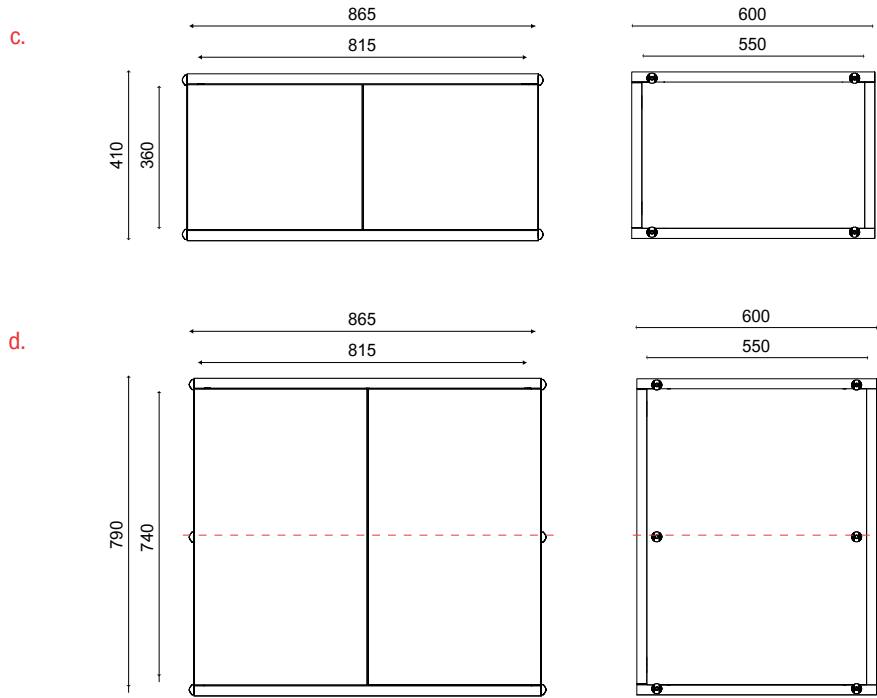
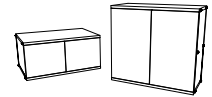


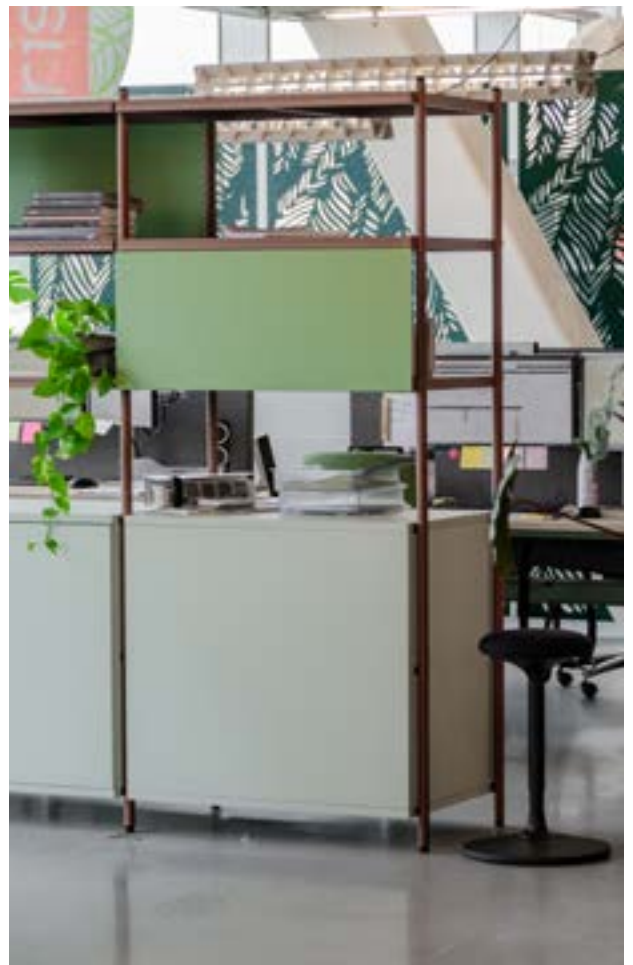
Dimensions

- Small** D40 B90
- Medium** D40 B90
- Small** D60 B90
- Medium** D60 B90



Stellar cabinet







Twigg

design by Drisag



Product description

This unique design coat rack is made of solid oak and available in two versions. A must-have in every trendy room.

Wood type



Solid Oak

Dimensions







Winter

design by Drisag

Product description

The Winter is a practical design coat rack made of solid oak, making it ideal for any room.

Wood type



Solid Oak

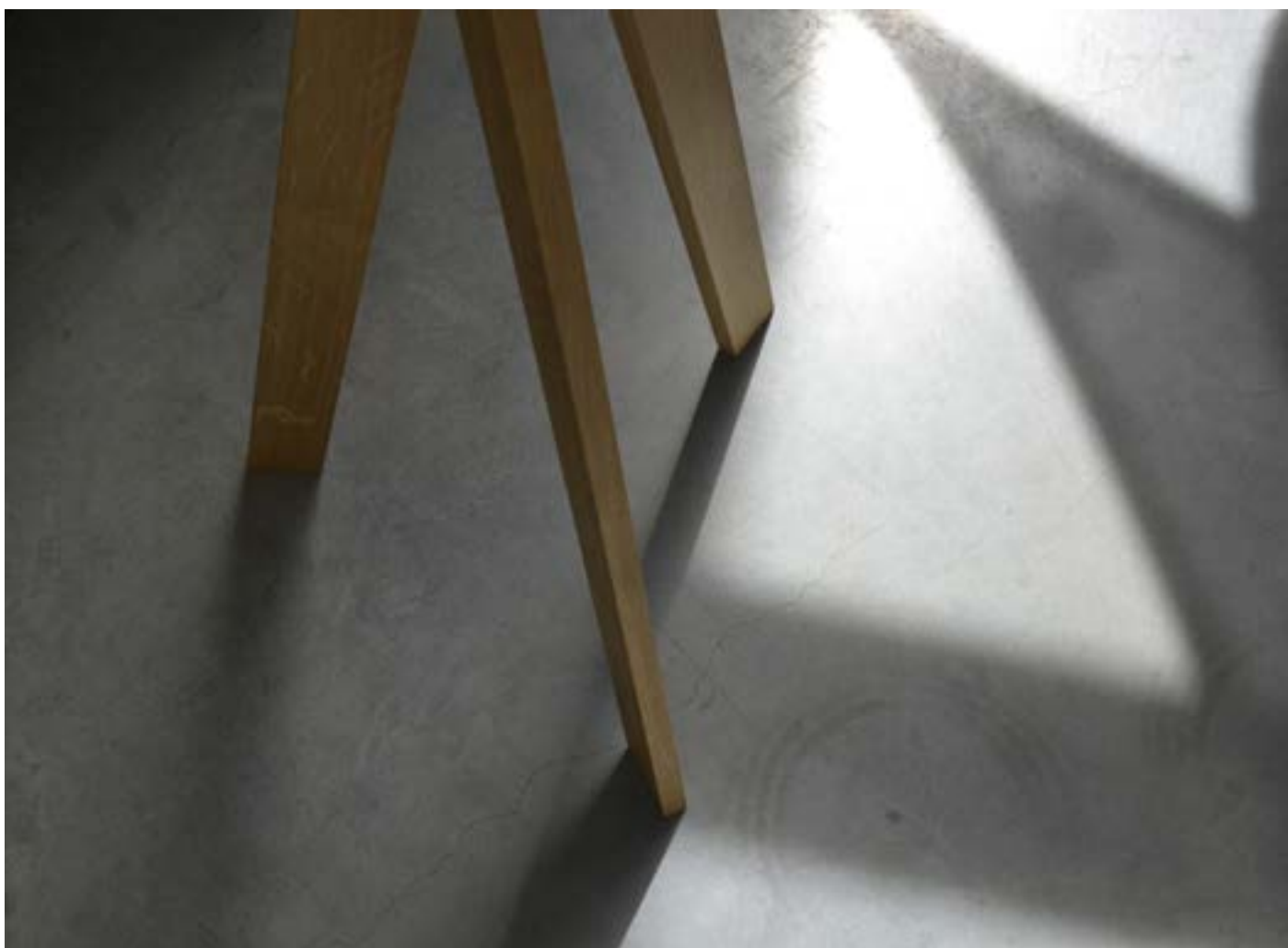


Coffee

Dimensions







Tables & Desks

Nothing is more important than a good desk or table to work on. Some of us spend several hours a day on it. It is therefore very important that this meets all your wishes.

We at drisag have a wide range to choose from. From large conference tables to side tables, we have it all.

Our strength at drisag is that you can choose from a wide variety of colors. Whether it concerns 1 or 100 pieces, it does not matter. We make sure you get what you want.





Atlas

design by Drisag



Product description Slim and sturdy. The Atlas range offers you a range of high and low tables that are easy to combine within your interior.

- Technical information**
- **Base:** Epoxy-coated metal base. Two identical legs made from round profile 30mm and metal rod 12mm at the ends fitted with two spherical black plastic weft caps. These legs are connected by two metal profiles made of metal tube 35x35mm.
 - **Table top:** Melamine tabletop 18mm

Tabletop colors



W1000 - White

Metal colors



K40 - black RAL9005



K53 - grey blue



K50 - rusty brown



K41 - white RAL9010



K57 - pale green



K54 - beige red



K58 - dark grey RAL7016



K52 - cement grey



K55 - coral red



K51 - squirrel grey



K56 - black green

Dimensions

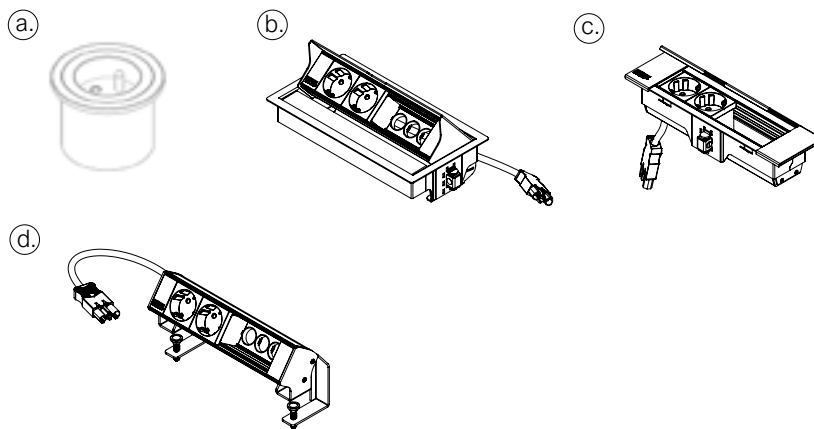
- | | | | | | | |
|---------|---|------------|---|------------|---|-------------|
| H400mm | • | 600x600mm | | | | |
| H500mm | • | 600x1000mm | | | | |
| H750mm: | • | 600x600mm | • | 800x800mm | • | 900x1800mm |
| | • | 600x1000mm | • | 800x1400mm | • | 1000x2000mm |
| | • | 600x1600mm | • | 800x1600mm | | |



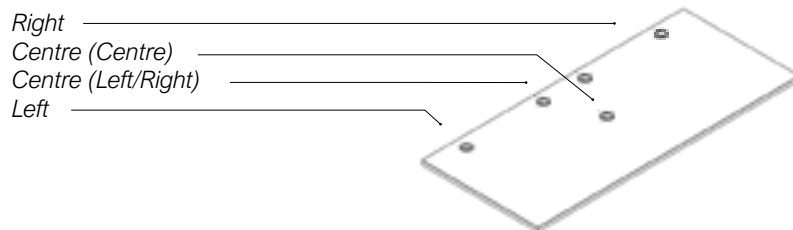
Options

H750mm Atlas tables can be equipped with electrification. Depending on budget and need, the following options can be chosen:

- a. Built-in unit (single)
- b. Built-in unit, single-sided lid (with or without multiple infill)
- c. Built-in unit, fixed (multiple infill, with or without cover)
- d. Surface-mounted unit (multiple infill)

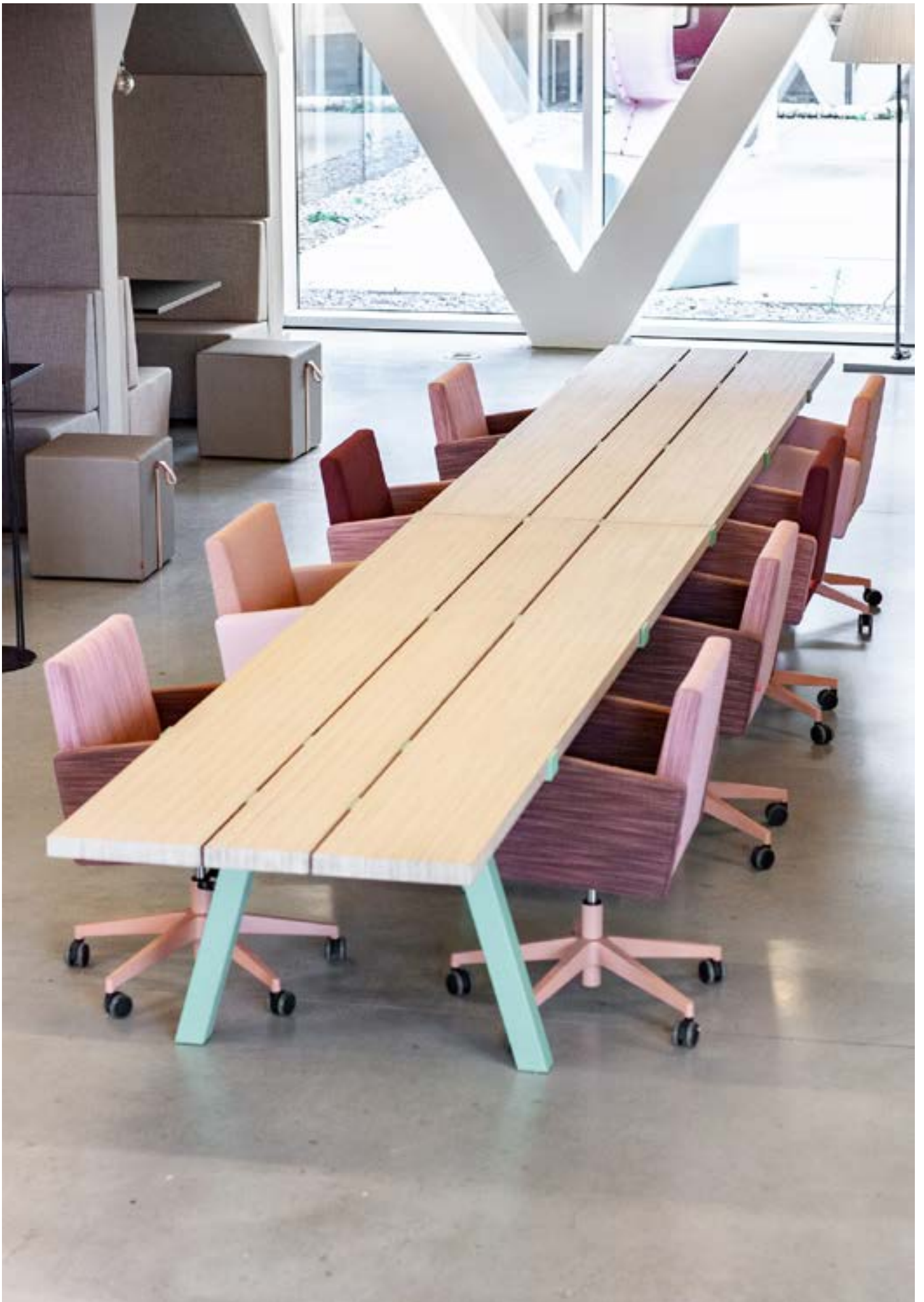


Positioning:



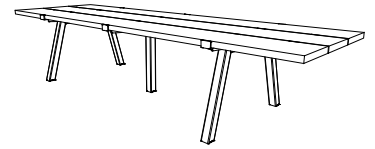
Note: if electrification must be provided, tables will automatically be fitted with cable clips.





Brutus

design by Kruijne Architectuur



Product description

Starting from some basic elements (being legs and beams), a wide range of tables can be composed. This table is compatible with all working environments, from small rooms to large open-plan workspaces.

Technical information

- Base: powder-coated steel frame with black height adjustable plastic glides
- Tabletop:
 - 44mm HPL or nanotech
 - 45mm baubuche (with top coat finish)

Tabletop colors



Metal colors



Options

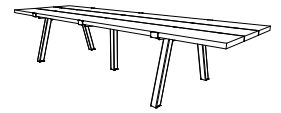
- Round sockets or usb connection unit.



Black

Note: The number of electrification points and placement is already predetermined according to the size of the table. See indication () below. If an electrification option is chosen, the table will be fitted with cable clips*

Brutus

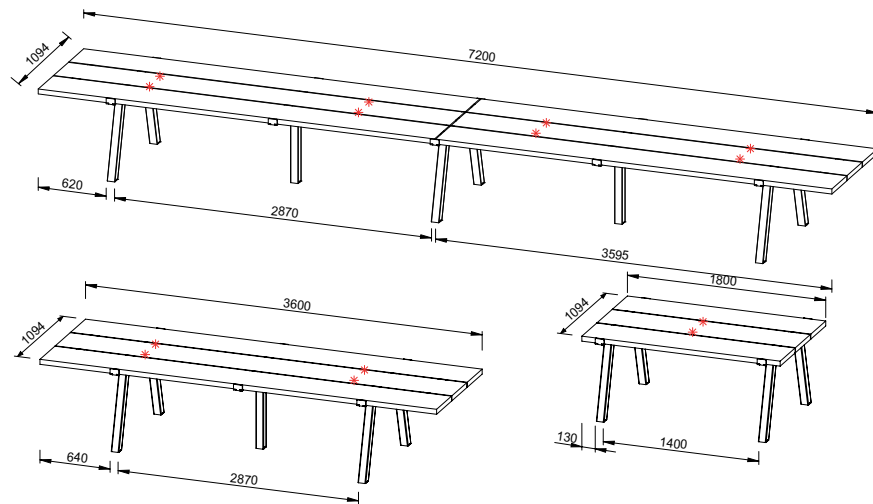


Dimensions

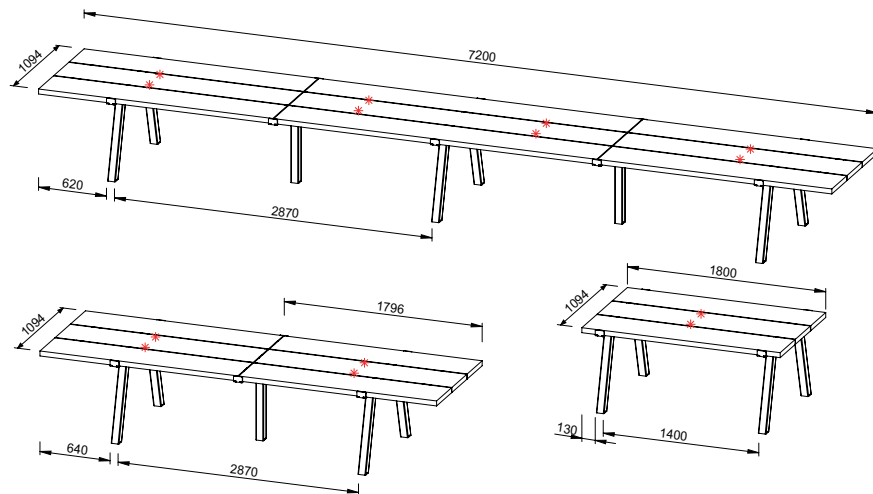
Depth: 1094mm (consisting of 3 table tops of 358mm)
Length: 1800mm, 3600mm, 7200mm
Height: 750mm

Note: depending on the chosen length and material, some tables are divided lengthwise into several tabletops

Baubuche



HPL, nanotech







Jade

design by Drisag



Product description

Place this wall table on different vertical surfaces. It gives a fresh, playful yet stylish touch to your interior. Combine it with other interior elements and create a tasteful vibe.

Metal colors



K40 - black RAL9005



K53 - grey blue



K50 - rusty brown



K41 - white RAL9010



K57 - pale green



K54 - beige red



K58 - dark grey RAL7016



K52 - cement grey



K55 - coral red

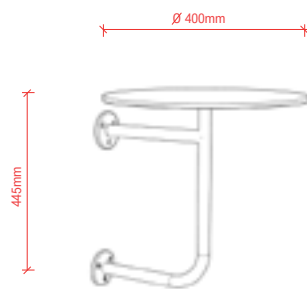


K51 - squirrel grey



K56 - black green

Dimensions





Homie

design by Drisag



Product description

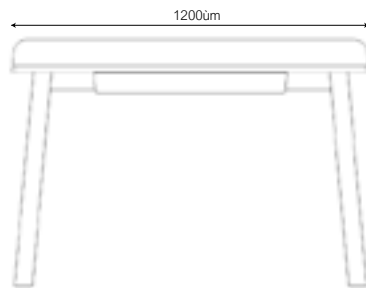
Who wouldn't want to work at this simple and compact desk? It is a piece of exceptional craftsmanship. This one-person desk fits into any interior. Equipped with a drawer and some clever details, it offers you everything you need to work comfortably.

Wood Type



Solid Oak

Dimensions









Kana

design by Drisag



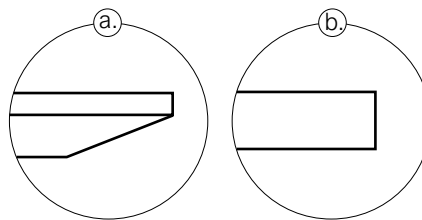
Product description

Kana, a solid piece of craftsmanship.

It includes a wide range of tables that, in addition to its robust look, has many refined details. Depending on the length, width and shape (rectangular and oval), you can place 6 to 12 people.

Technical information


- Base: powder-coated steel frame with black height adjustable plastic glides
- Tabletop:
 - a) 30mm MDF (+ HPL top) with tapered edge
 - b) 25mm melamine or nanotech with straight edge



Metal colors




- | | | |
|---|---|--|
|  K40 - black RAL9005 |  K53 - grey blue |  K50 - rusty brown |
|  K41 - white RAL9010 |  K57 - pale green |  K54 - beige red |
|  K58 - dark grey RAL7016 |  K52 - cement grey |  K55 - coral red |
|  K51 - squirrel grey |  K56 - black green | |

Tabletop colors

- | | | |
|--|--|---|
|  W1000 - ST9 White |  U608 - ST9 Pistachio green |  U702 - ST9 Cashmere grey |
|  U999 - ST9 Black |  U636 - ST9 Fjord green |  0720 - Fenix black |
|  U201 - ST9 Pebble grey |  H3157/ST12 Vicenza oak | |
|  U767 - ST9 Cubanite grey |  H1180/ST37 - Halifax oak | |

Options

- Socket box: Accessible on both sides. Available with or without electrification unit (4 positions)
- Cable tray: 56cm. Can only be combined with socket box without infill

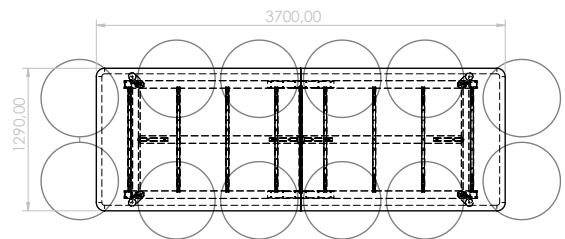
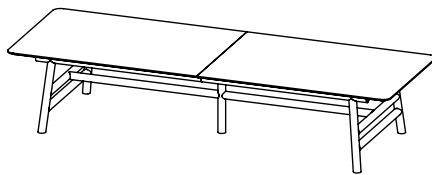
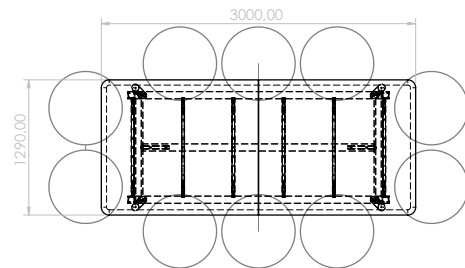
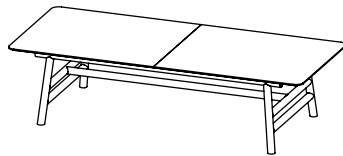
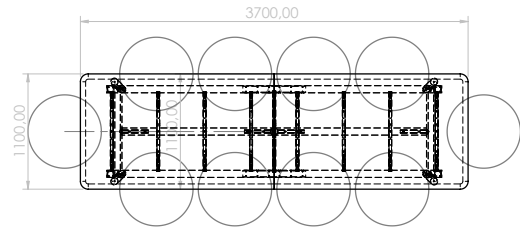
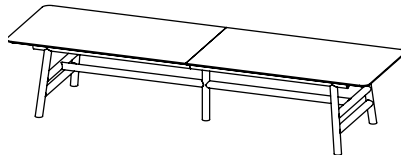
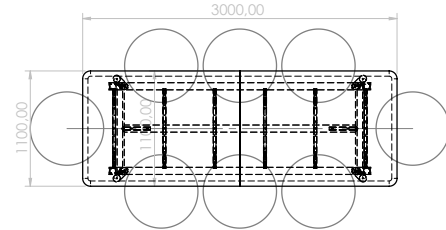
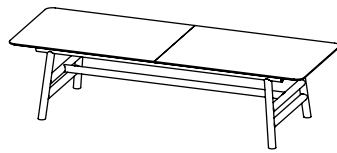
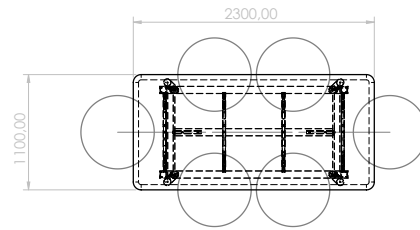
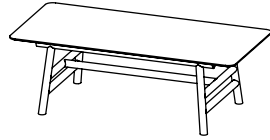
- | |
|---|
|  White |
|  Black |
|  RVS |



Note: if electrification must be provided, this will always be 1 box per table top. Tables consisting of 2 table tops will be provided with 2 boxes. In this case, tables are also automatically fitted with cable clips.

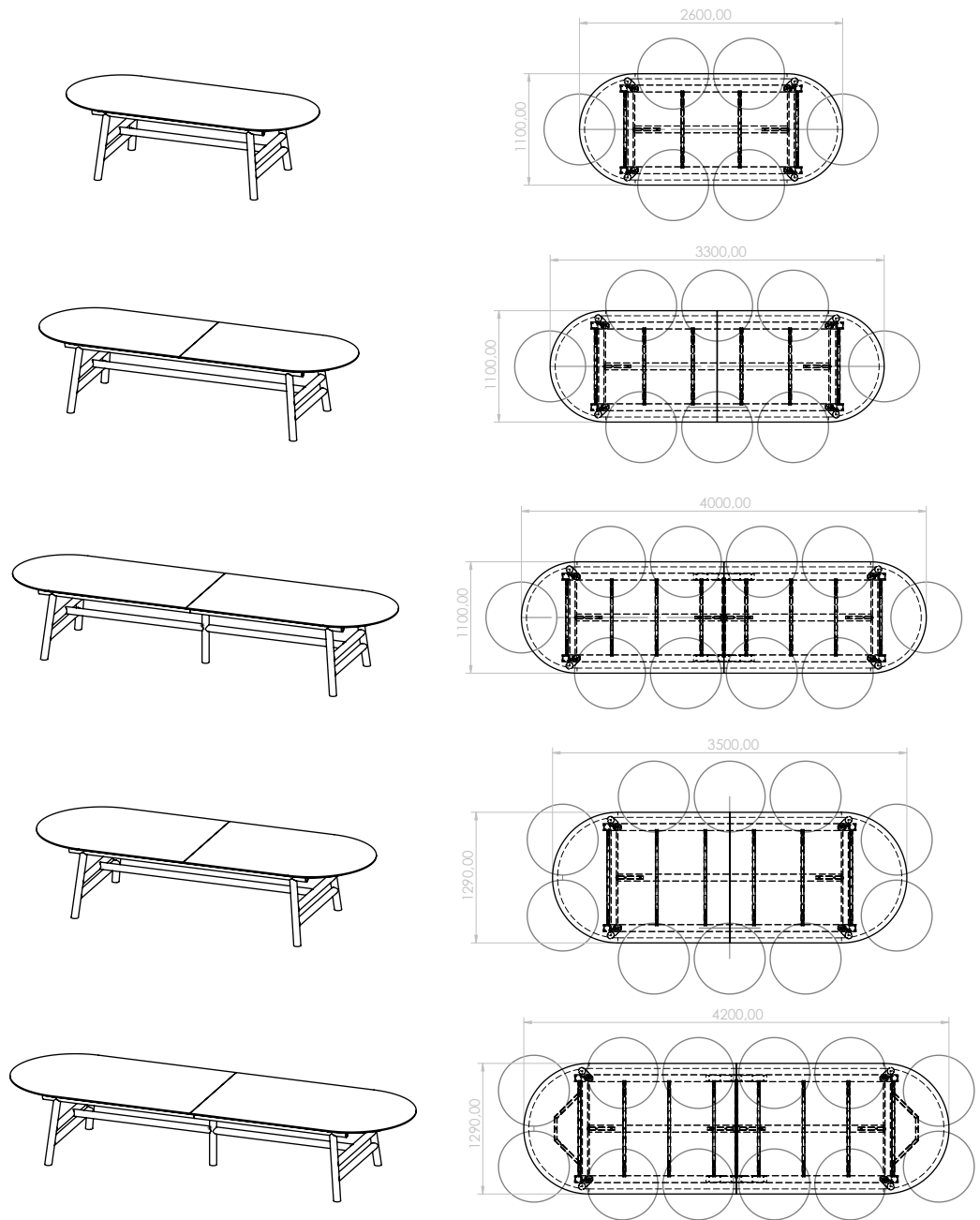


Dimensions





Dimensions









Major

design by Drisag













Product description

Major, a table that leaves an impression. Depending on the model, it seats 8 to 20 people.

Technical information

- Base: Metal base equipped with felt panels
- Table top: 38mm HPL
- Cable management: Cable tray

Tabletop colors

- | | | |
|--|---|---|
|  W1000 - ST9 White |  U608 - ST9 Pistachio green |  U702 - ST9 Cashmere grey |
|  U999 - ST9 Black |  U636 - ST9 Fjord green |  0720 - Fenix black |
|  U201 - ST9 Pebble grey |  H3157 - ST12 Vicenza | |
|  U767 - ST9 Cubanite grey |  H1180/ - ST37 - Halifax oak | |

Felt colors

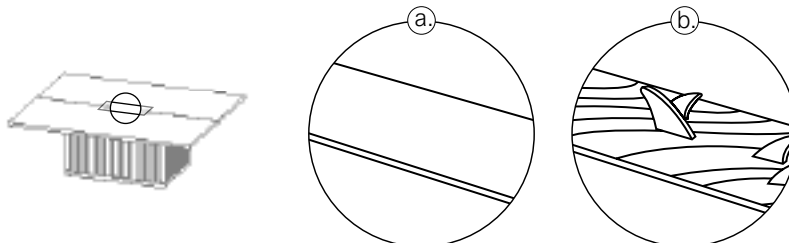


recycled PET

- | | | |
|---|--|---|
|  BZ-03 dark grey |  BZ-12 dark beige |  BZ-35 camel |
|  BZ-04 light beige |  BZ-13 black |  BZ-36 grey |
|  BZ-05 yellow |  BZ-17 dark green |  BZ-39 rust |
|  BZ-07 white |  BZ-19 Obsidian |  BZ-43 grass |
|  BZ-08 red |  BZ-25 blue |  BZ-46 Orange |
|  BZ-09 lavender |  BZ-31 olive |  BZ-47 sky |
|  BZ-10 forest |  BZ-33 creme |  BZ-48 dark red |
|  BZ-11 light grey |  BZ-34 earth | |

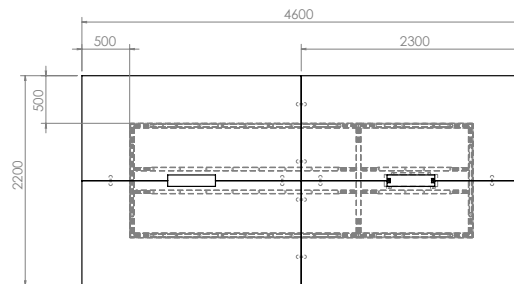
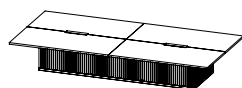
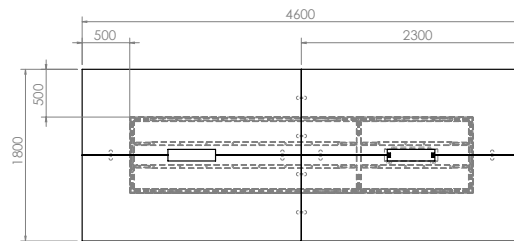
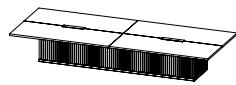
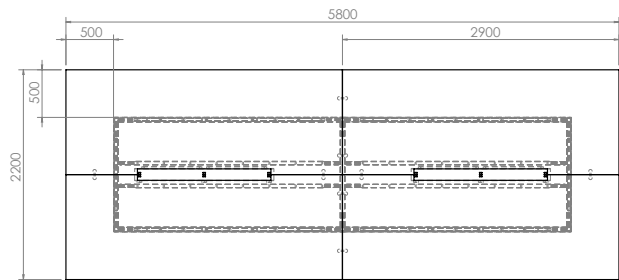
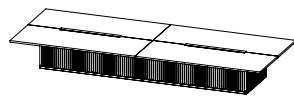
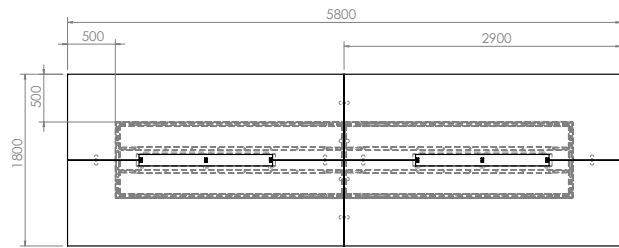
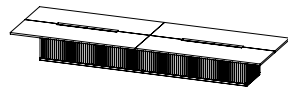
Options

- Cable tray cover (felt):
 - a) basic
 - b) shark pool



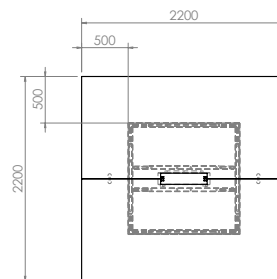
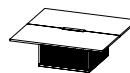
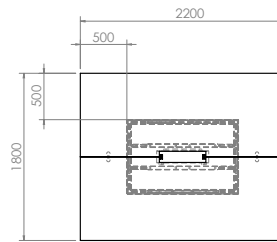
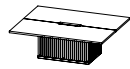
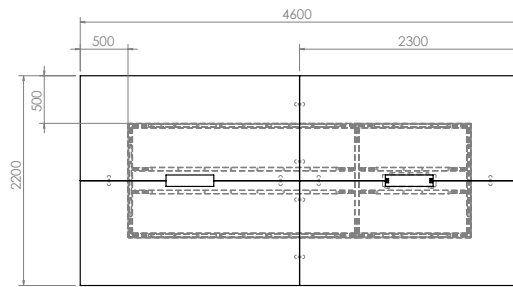
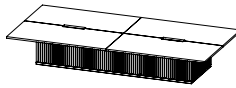
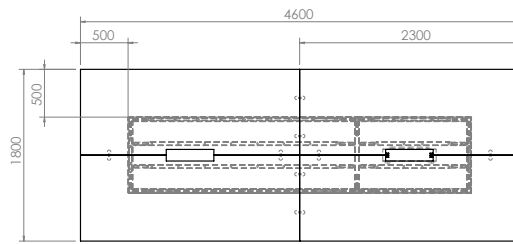
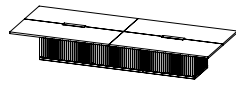


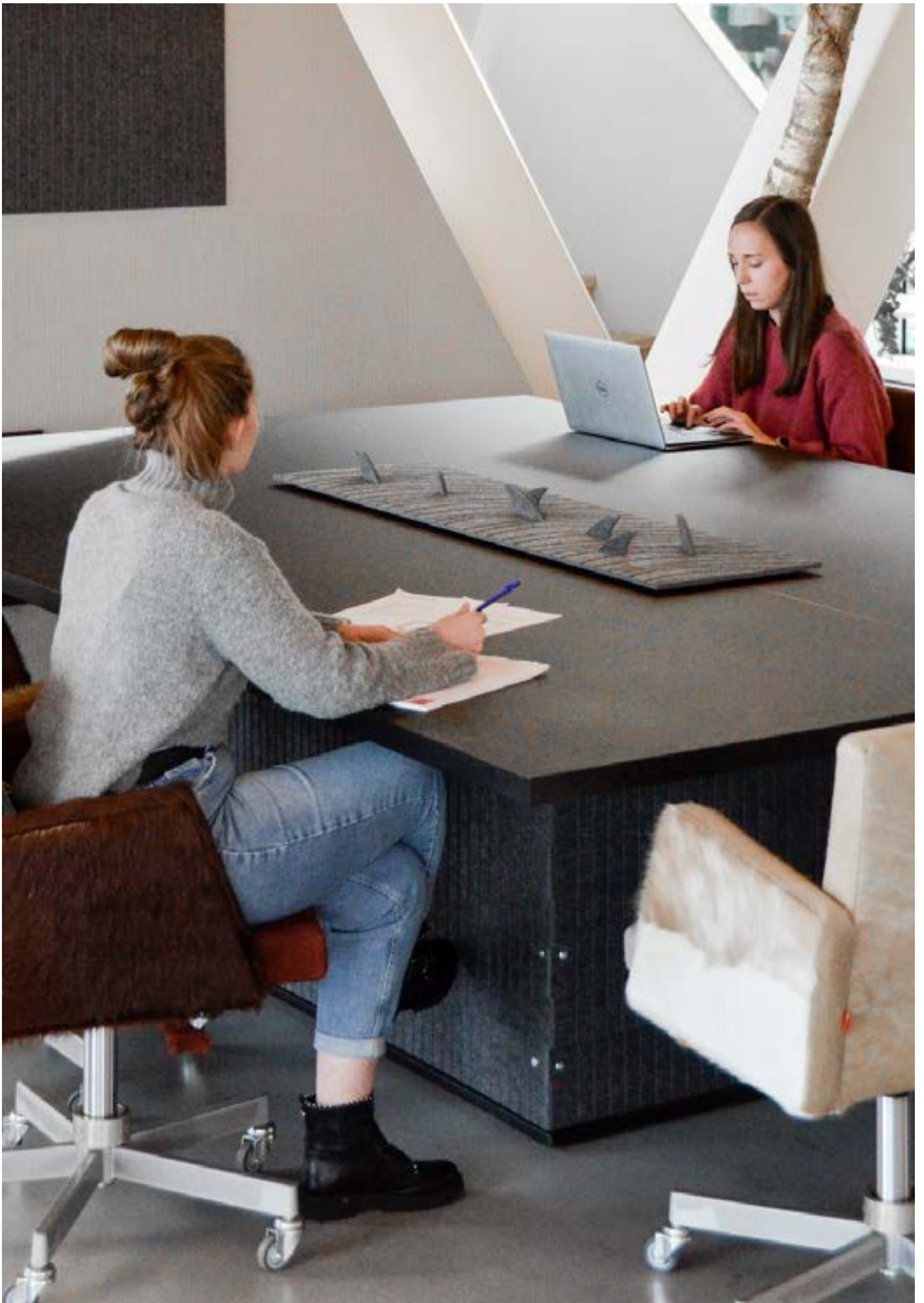
Dimensions





Dimensions









Ply front office

design by Drisag

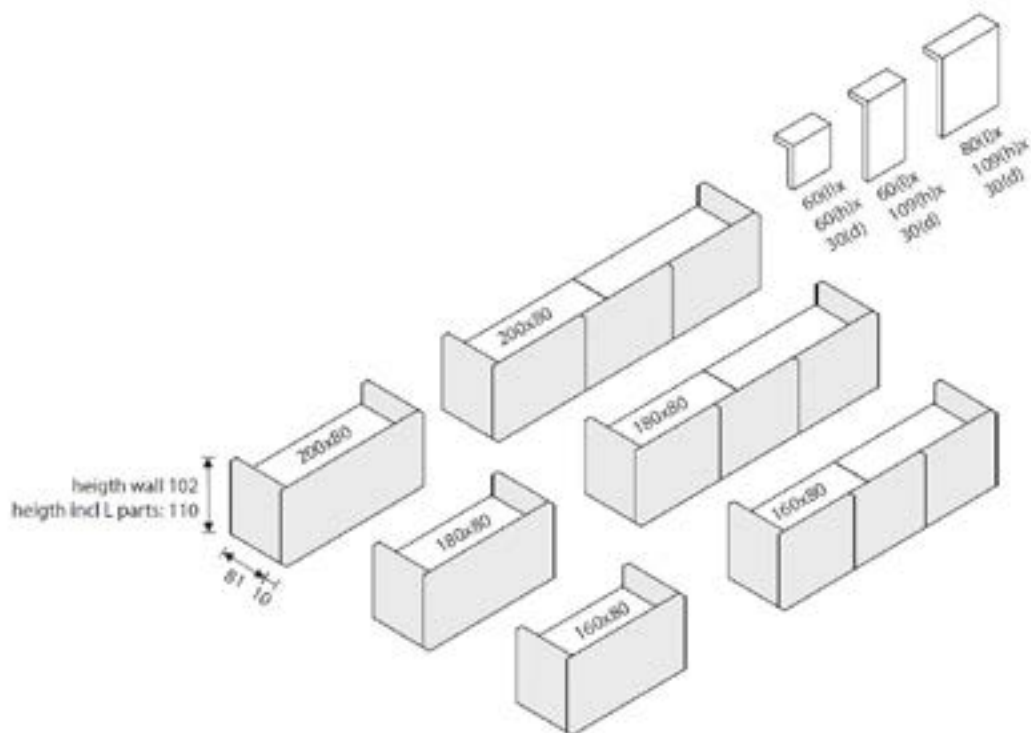
Product description Modular front office system.

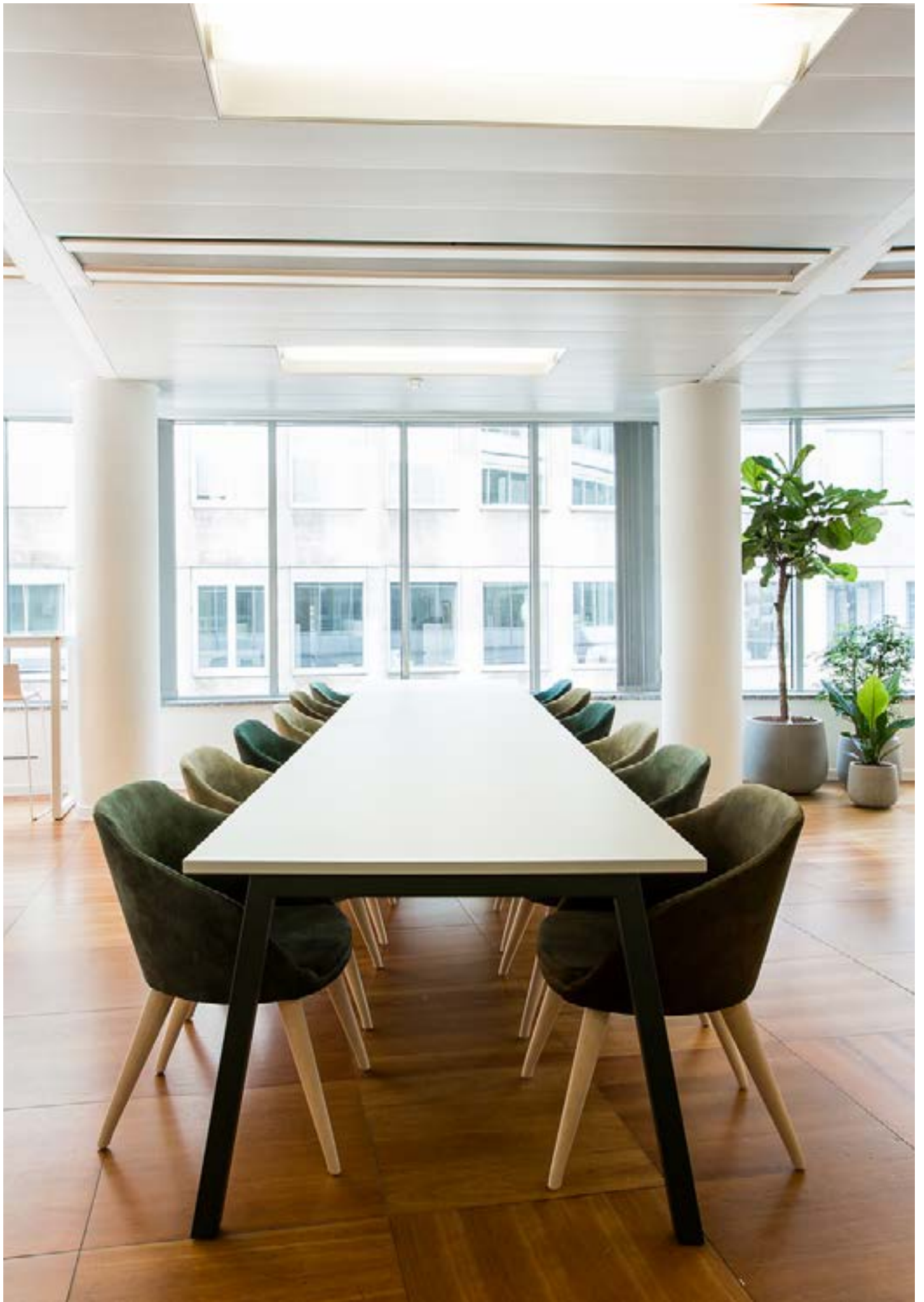
Material Wooden structure, covered in PU foam and unholstered.

Fabrics Available in all drisag fabric groups.

Options • HPL Tablet

Size/Dimensions Modular.





Prio

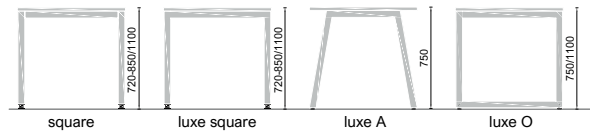
design by Drisag



Product description

Prio is a series of desks and meeting tables. Lacquered steel profiles combined with different types of legs and tabletops result in a wide range of products.

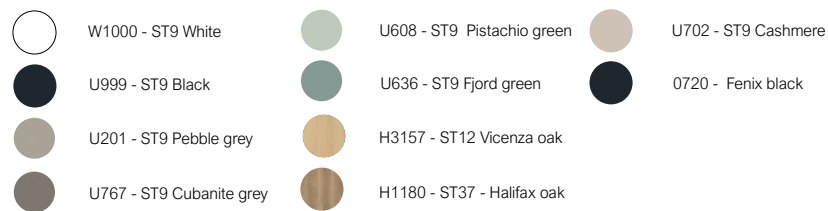
Dimensions



Metal colors

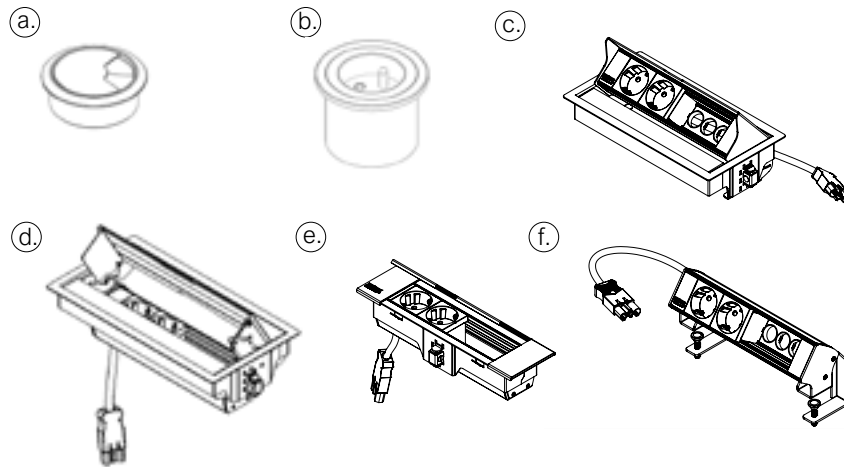


Tabletop colors

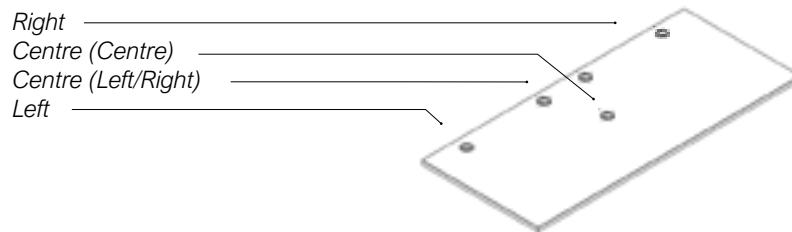




Options



Positioning:



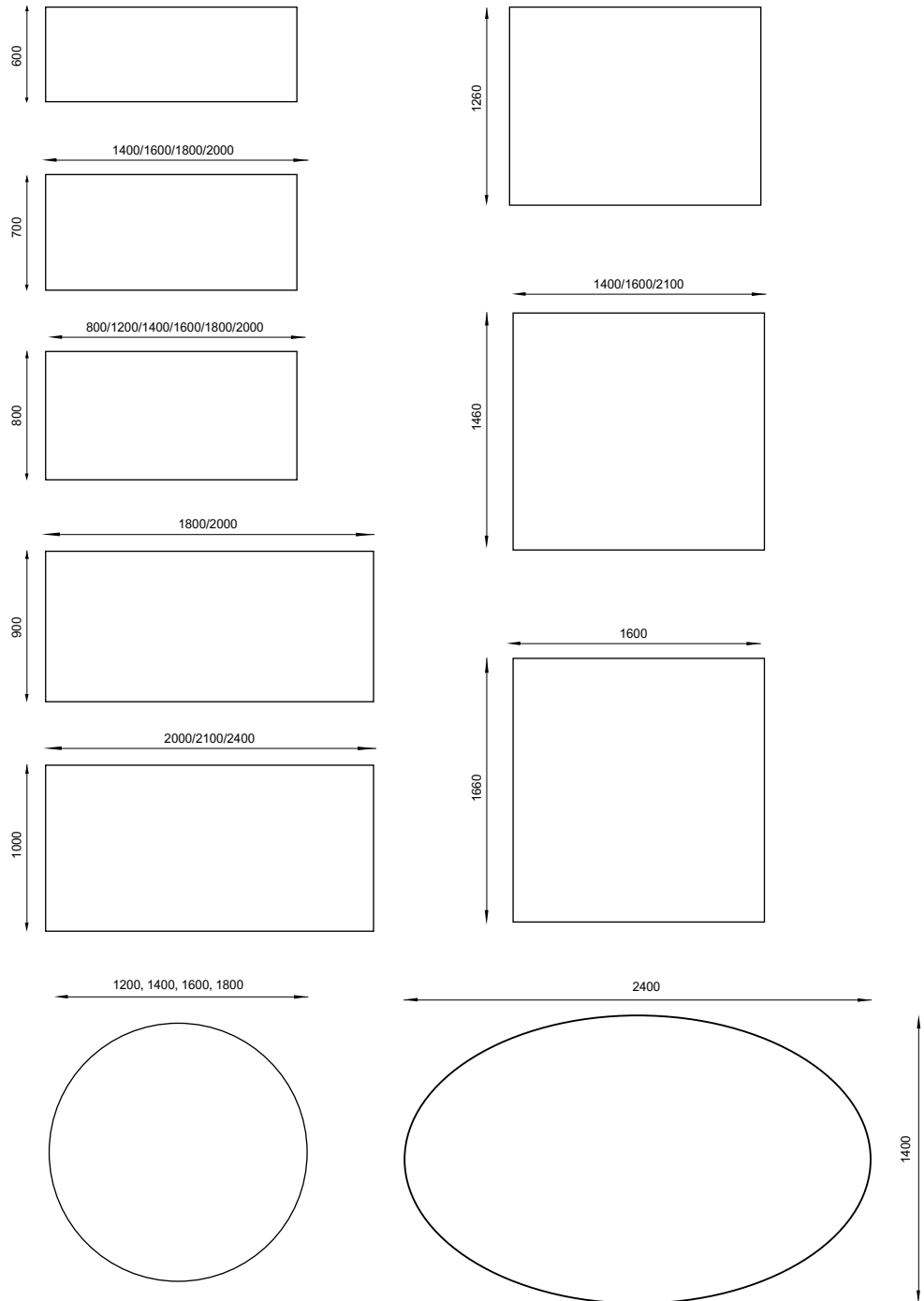
- Partition screens (info, see product sheet)
- CPU support
- Cable management:

- a. Cable-clips
- b. Cable tray
- c. Cable sleeve

Note: if electrification must be provided, tables will automatically be fitted with cable clips.



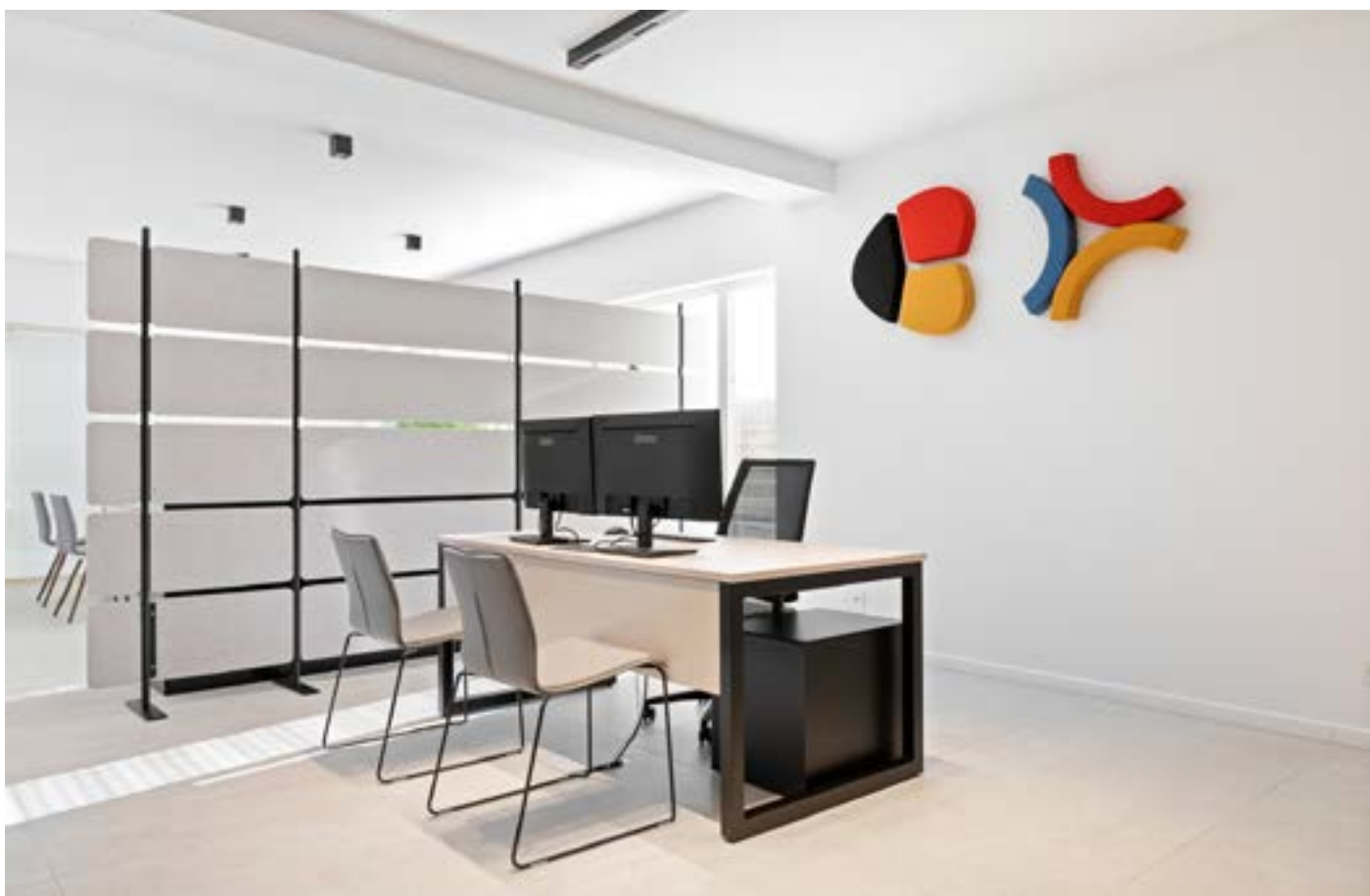
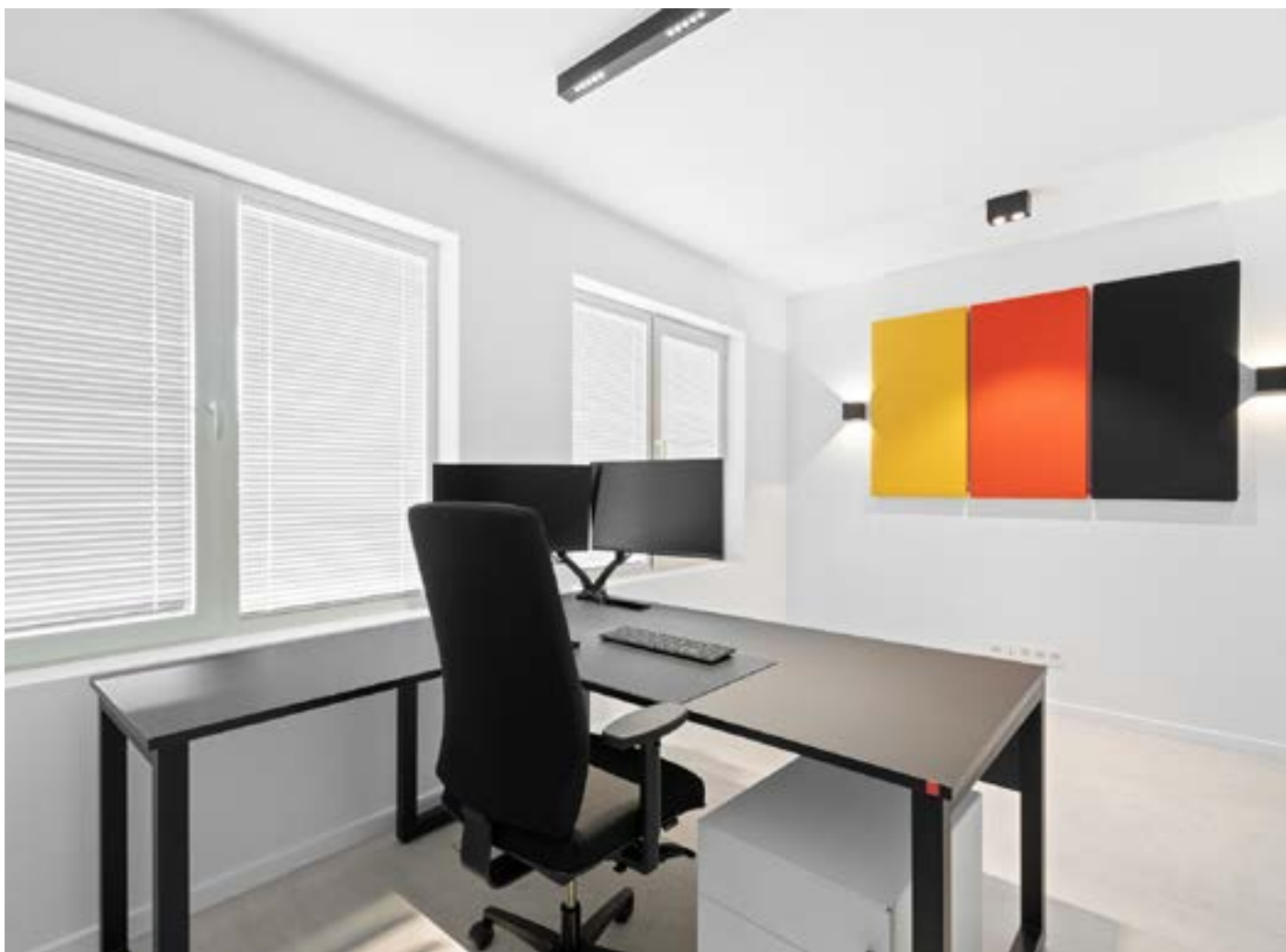
Options

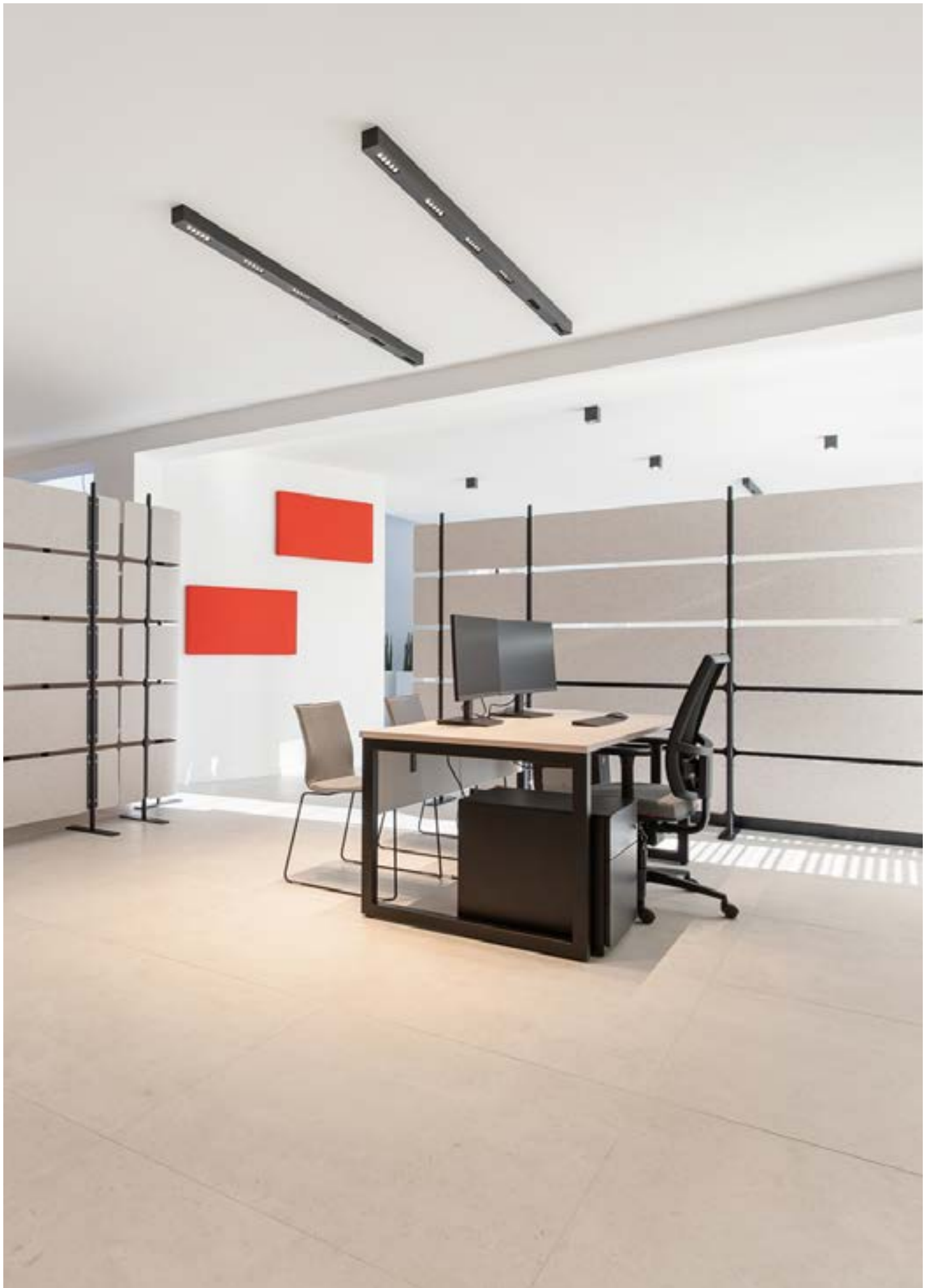


Note: Round and Oval only available with A-type legs



















Prio sit-stand

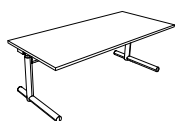
design by Drisag



1. TYPE

- a. Solo
- b. Double
- c. Triple - Round
- d. Triple - Hollow

(a)



(b)



(c)



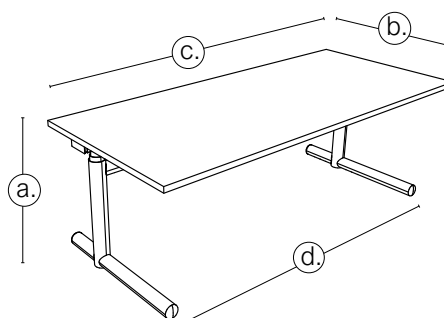
(d)



2. DIMENSIONS

2.1. Solo (+90° Extension)

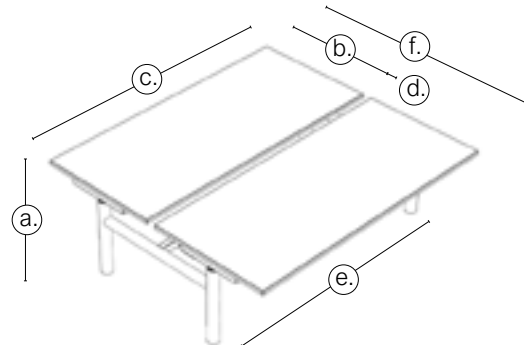
- a. Height range: 64cm - 126cm
- b. Table top depth: 70cm - 80cm - 90cm
- c. Table top length:
120cm - 140cm - 160cm - 180 cm - 200cm
- d. Space between legs:
100cm - 120cm - 140cm - 160cm - 180cm





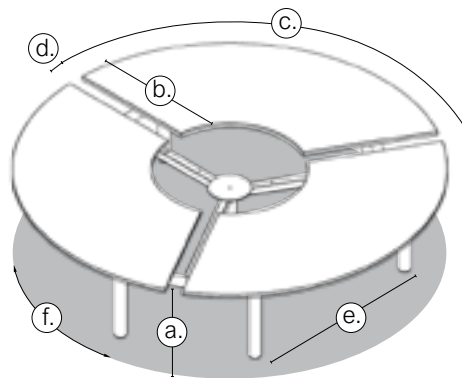
2.2. Double

- a. Height range: 64cm - 126cm
- b. Table top depth: 70cm - 80cm - 90cm
- c. Table top length:
120cm - 140cm - 160cm - 180cm - 200cm
- d. Space between table tops: 10cm
- e. Space between legs:
100cm - 120cm - 140cm - 160cm - 180cm
- f. Total depth: 150cm - 170cm - 190cm



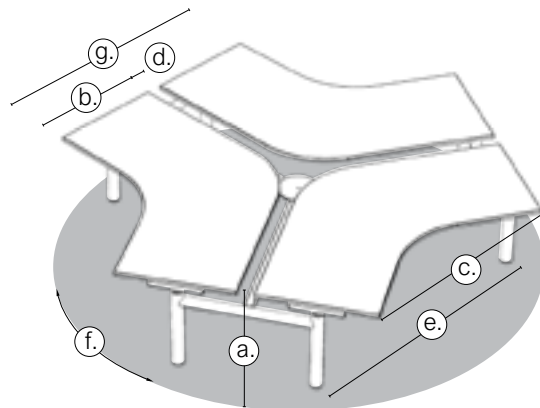
2.3. Triple - Round

- a. Height range: 64cm - 126cm
- b. Table top depth: 80cm
- c. Table top (arc)length: 250cm
- d. Space between table tops: 10cm
- e. Space between legs: 107cm
- f. ● Table diameter: 250cm



2.3. Triple - Hollow

- a. Height range: 64cm - 126cm
- b. Table top depth: 70 or 80cm
- c. Work space: 128cm or 138cm
- d. Space between table tops: 10cm
- e. Space between legs: 107cm
- f. ● Table diameter: 290cm or 300cm





3. METAL COLOR

The choice color includes the type of powder used to powder-coat the entire desk base. (Columns, profiles and any options)

	K40 - black RAL9005		K52 - cement grey RAL 7033
	K41 - white RAL9010		K56 - black green RAL 6012
	K58 - dark grey RAL7016		K50 - rusty brown
	K51 - squirrel grey RAL 7000		K54 - beige red RAL 3012
	K53 - grey blue RAL 5008		K55 - coral red RAL3016
	K57 - pale green RAL 6021		

4. TABLE TOP

All tops have a thickness of 25 mm and are available indifferent sizes.

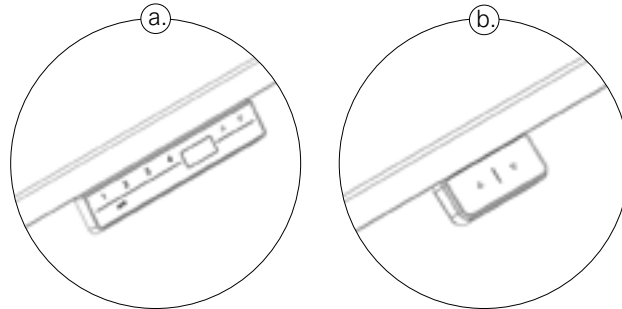
	White		U767 - cubanite grey
	U201 - pebble grey		H1180/ST37 - halifax oak
	U702 - cashmere grey		H3157//ST12 - vincenza oak
	U608 - pistachio green		H3433/ST22 - aland Pine
	U636 - fjord green		Fenix black



5. OPTIONS

5.1. Control

Height settings are extremely personal. Therefore, it is possible to choose a control with integrated memory (4 presets). If this is not necessary, you can also opt for a basic controller.



- a. Memory (standard)
- b. Basic (without memory)

Colors: black plastic

5.2. Cable management

Depending on the need, there are different options. All options can be combined with each other.

- a. Cable sleeve
- b. Cable aorta (only for benches)
- c. Cable tray

Cable sleeve:

- technical fabric, black
- zipper
- 2 sizes: 70cm, 100cm

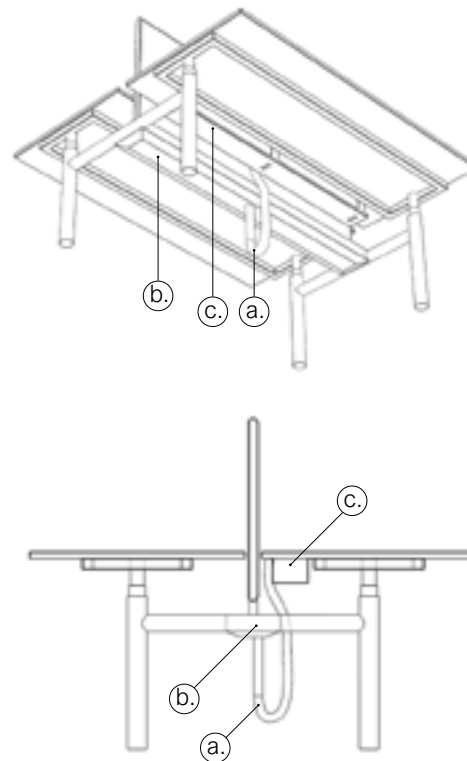
Cable aorta:

- only applicable to benches
- fitted with metal lids
- always finished in the same color as the base
- length = bridges the distance between the legs

Cable tray:

- screwed to the bottom of the table top
- powdercoat finish, Drisag metal colors
- 2 sizes: 56cm, 146cm

Note: 146cm cannot be combined with triple round & hollow





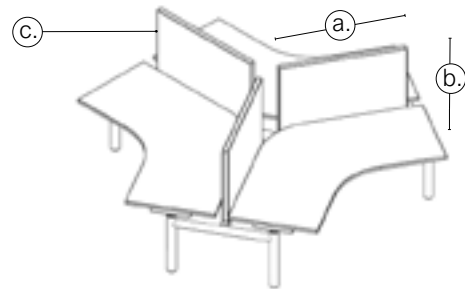
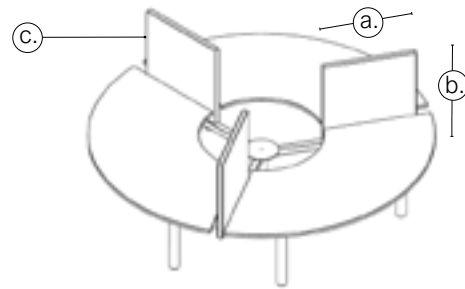
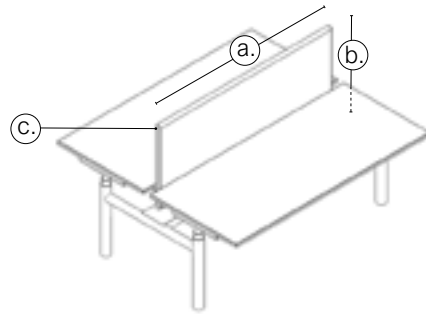
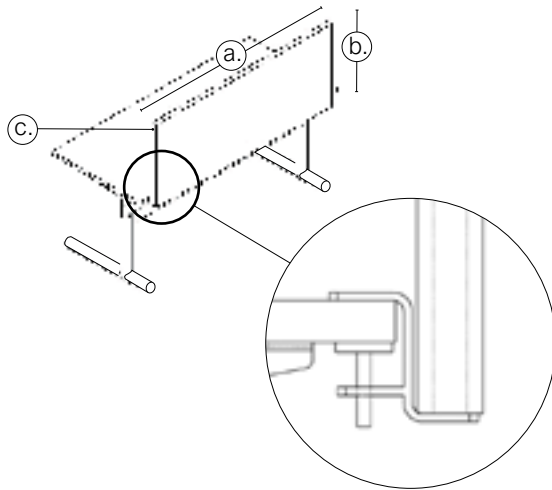
5.3. Partition screen

In addition to an acoustic advantage, a partition screen also offers extra privacy.

- a. Length: receding 10cm (in relation to the edge of the table)
- b. Height 65cm
- c. Thickness: 4cm

Fabric colors: all Drisag fabric groups.

Note: for singles, 2 extra brackets are required.

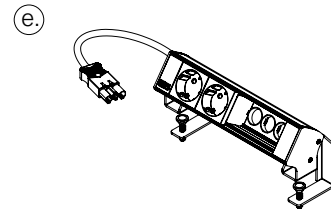
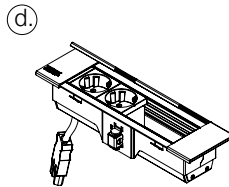
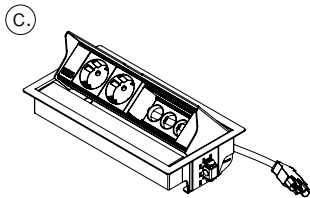
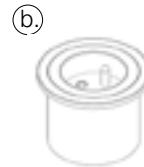




5.4. Electrification

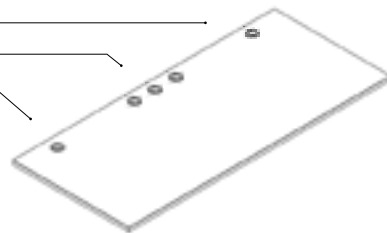
The desk can be equipped with electrification. The table top can be provided with a cable inlet (a.) so that the cables can be plugged in under the desk. other options (b. and c.) offer a simple plug&play solution.

- a. Cable inlet
- b. built-in unit (single)
- c. built-in unit, single-sided lid (with or without multiple infill)
- d. built-in unit, fixed (multiple infill, with or without cover)
- e. surface-mounted unit (multiple infill)



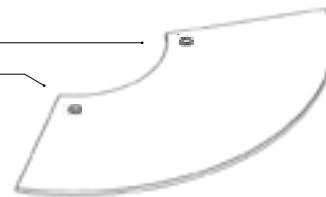
Position Solo & bench:

- Right
- Central (Center/Left/Right)
- Left



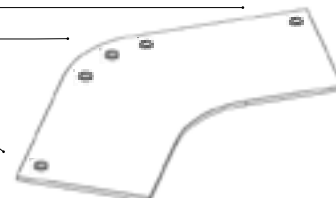
Position Triple round:

- Right
- Left



Position Triple round:

- Right
- Center (Left/Right)
- Left



Prio sit-stand

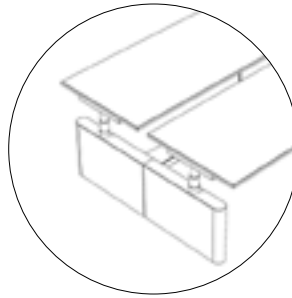


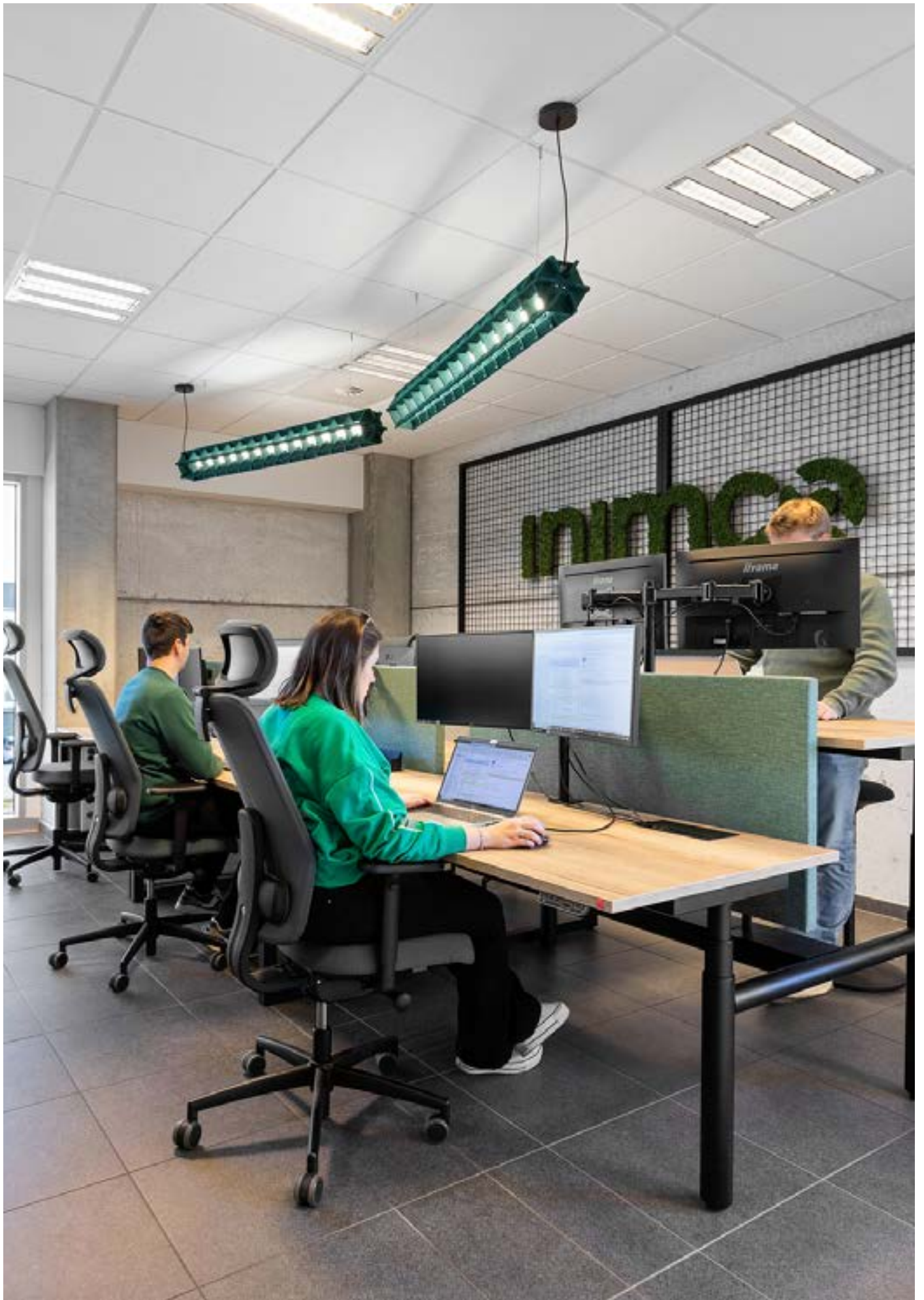
5.5. Side panels

side panels provide additional privacy and a cleaner look.

Colors: *Drisag metal colors*

Note: *Benches only*

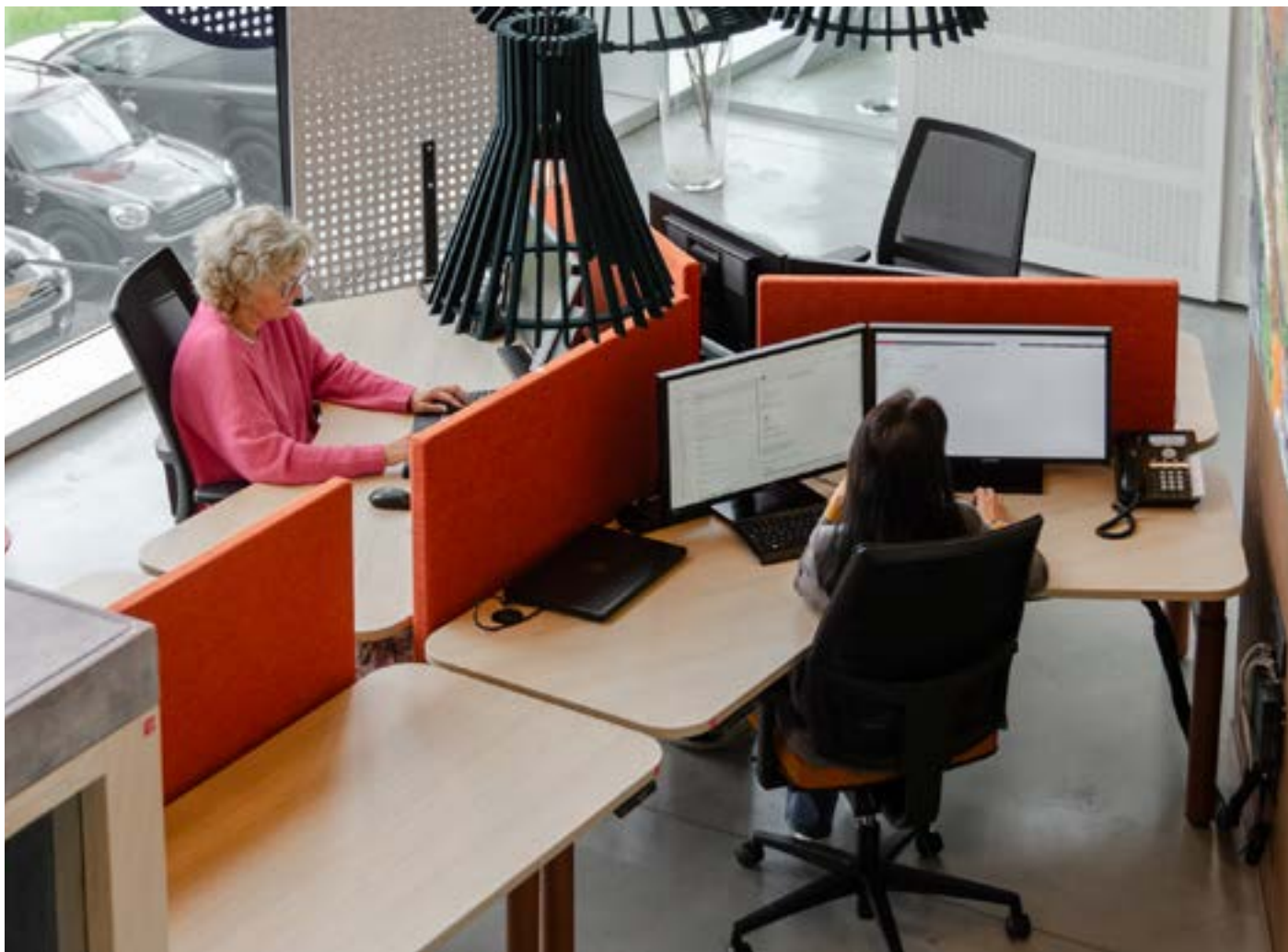
















Project Table

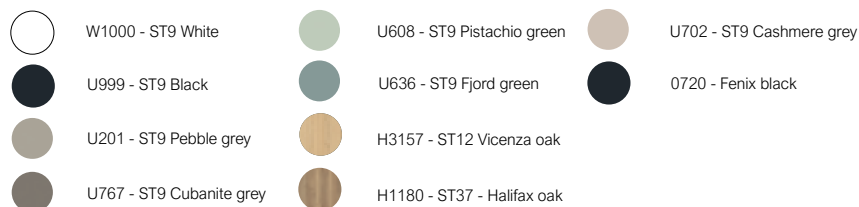
design by Drisag



Product description

Project table is a series of basic desks and meeting tables. A lacquered steel frame in various shapes and sizes combined with basic square tube legs and tabletops result in a wide range of products.

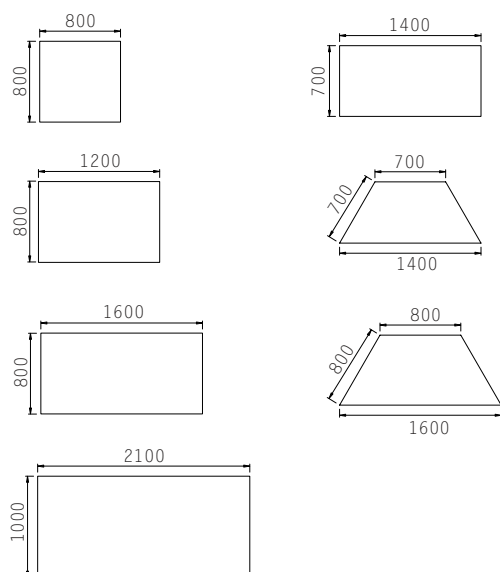
Tabletop colors



Metal colors



Dimensions





Options

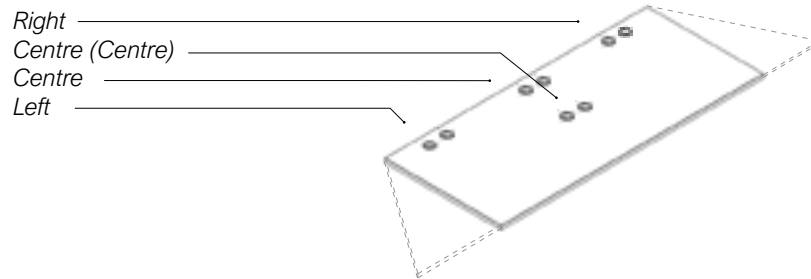
- Round sockets or usb connection unit.



Black

Note: electrification is always provided in sets of 2. If an electrification option is chosen, the table will be fitted with cable clips

Positioning:







Sereno

design by Drisag



Product description

Sereno Alto: A compact and functional table, perfect for placing a cup of coffee.

Sereno Mezzo: Ideal for a waiting or reception area, where guests can comfortably wait

Sereno Basso: A stylish and practical coffee table for the office space, perfect for organizing meeting documents, magazines, or for hosting visitors in the lounge area.

These side tables consist of a powder-coated steel base topped with a melamine top.

Tabletop colors

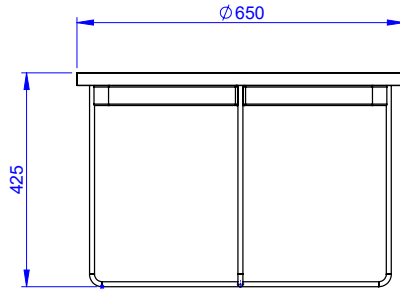
	White		U608 - Pistachio green		H3157/ST12 - Vicenza Eik
	U702 - Cashmere grey		U636 - Fjord green		Fenix black
	U201 - Pebble grey		H3133/ST12 Davos oak		Black
	U767 - Cubanite grey		H1180/ST37 - Halifax oak		

Sereno

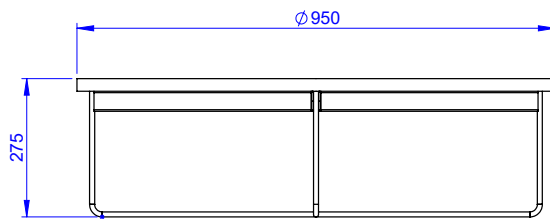


Dimensions

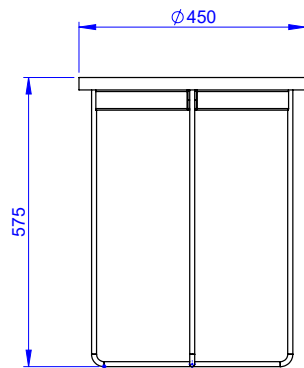
Sereno Mezzo



Sereno Basso



Sereno Alto

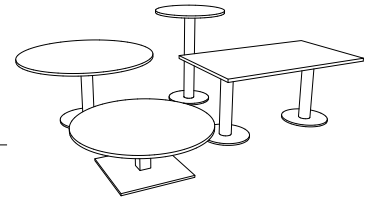






System

design by Drisag



Product description

Less is more. Its refined production process provides a wide range of tables from side table to conference table.

Technical information

Legs: one or two column legs. A flat base (round or square) is provided at the bottom and a mounting plate at the top. the table top is fixed with screws. Height-adjustable feet are provided to compensate for unevenness in the floor.

Table top: Melamine or nanotech 25mm.

Base plate: Epoxy coated round steel base 120mm, round or square foot.

Tabletop colors

	W1000 - ST9 White		U608 - ST9 Pistachio green		U702 - ST9 Cashmere grey
	U999 - ST9 Black		U636 - ST9 Fjord green		0720 - Fenix black
	U201 - ST9 Pebble grey		H3157 - ST12 Vicenza oak		
	U767 - ST9 Cubanite grey		H1180 - ST37 Halifax oak		

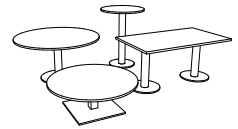
Metal colors

	K40 - black RAL9005		K53 - grey blue		K50 - rusty brown
	K41 - white RAL9010		K57 - pale green		K54 - beige red
	K58 - dark grey RAL7016		K52 - cement grey		K55 - coral red
	K51 - squirrel grey		K56 - black green		



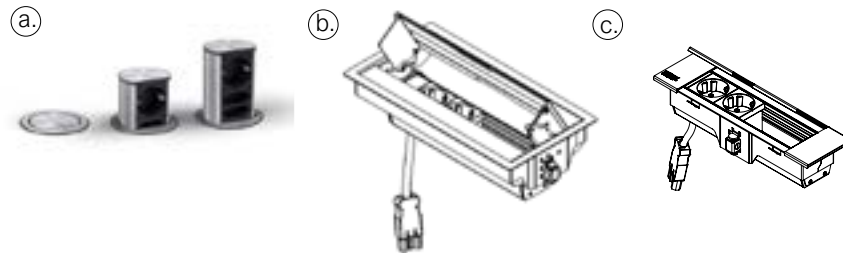
Dimensions

Table top shape	Length	Width	Height	Leg type	Number of Legs
Round	800		430	Round base 480mm	1
			740	Round base 480mm	1
			1090	Round base 480mm	1
				ALU base (5star) Height adjustable	1
	1200		430	Round base 618mm	1
				Square base 618mm	1
			740	Round base 618mm	1
				Square base 618mm	1
	1300		740	Round base 618mm	1
				Square base 618mm	1
	1400		430	Round base 618mm	1
				Square base 618mm	1
			740	Round base 618mm	1
				Square base 618mm	1
1600		430	Round base 618mm	1	
			Square base 618mm	1	
Rectangular	800	800	740	Round base 480mm	1
	1200	800	740	Round base 480mm	2
				Round base 618mm	1
	1200	900	740	Square base 618mm	1
				Round base 480mm	2
				Round base 618mm	1
	1600	800	740	Square base 618mm	1
				Round base 480mm	2
	1600	900	740	Round base 480mm	2
	1800	800	740	Round base 480mm	2
	1800	900	740	Round base 480mm	2
	2000	800	740	Round base 480mm	2
	2000	900	740	Round base 480mm	2
	2400	1100	740	Round base 618mm	2
Square base 618mm				2	
2800	1100	740	Round base 618mm	2	
			Square base 618mm	2	
Barrel-shaped	2400	1200-1100	740	Round base 618mm	2
				Square base 618mm	2
	2800	1200-1100	740	Round base 618mm	2
				Square base 618mm	2



Options

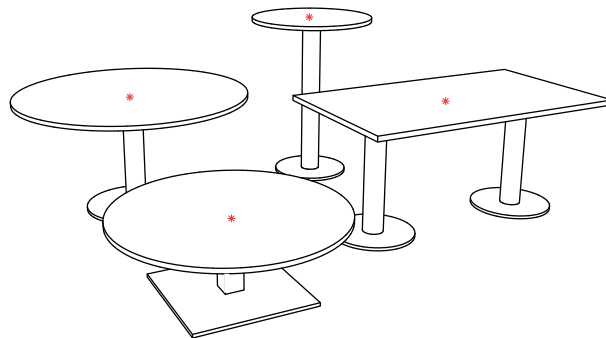
- System tables can be equipped with electrification. Depending on budget and need, the following options can be chosen:
 - a. Built-in unit, elevator
 - b. Built-in unit, double-sided lid (with or without multiple infill)
 - c. Built-in unit, fixed (multiple infill, with or without cover)

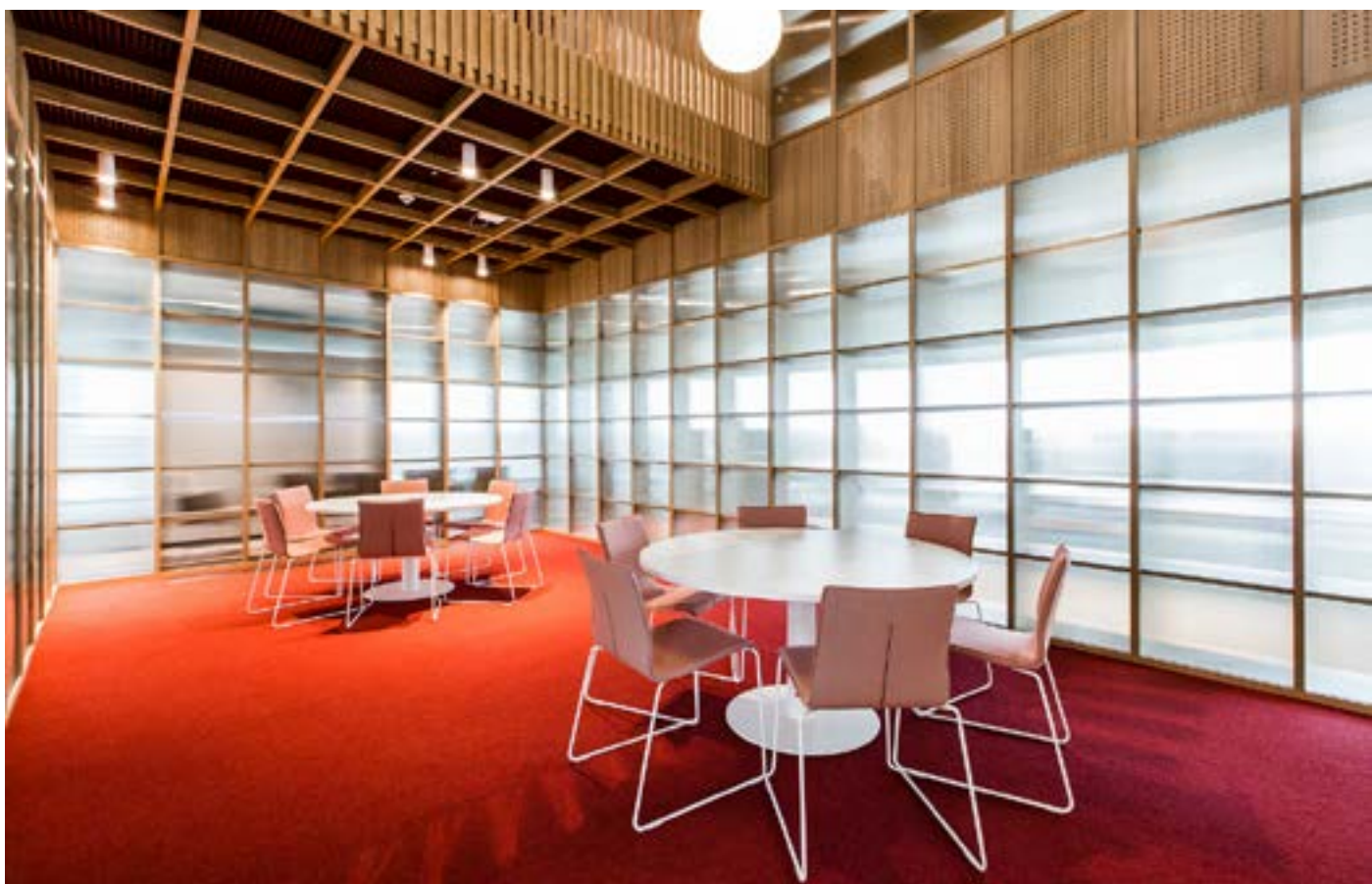


Note: The number of electrification points and placement is already predetermined according to the size of the table. See indication (*) below. If electrification is chosen, we always provide it in the centre and fit the table top with cable clips at the bottom.

Note: In the case of tables with several legs (more than one):

- Option (a.) is always placed directly above a kolloid, regardless of the number of legs. When a table has 2 legs, the table will be equipped with 2 electrification points.
- Option (b.) and (c.) are only available for table with more than one leg and are always placed in the centre of the table top.





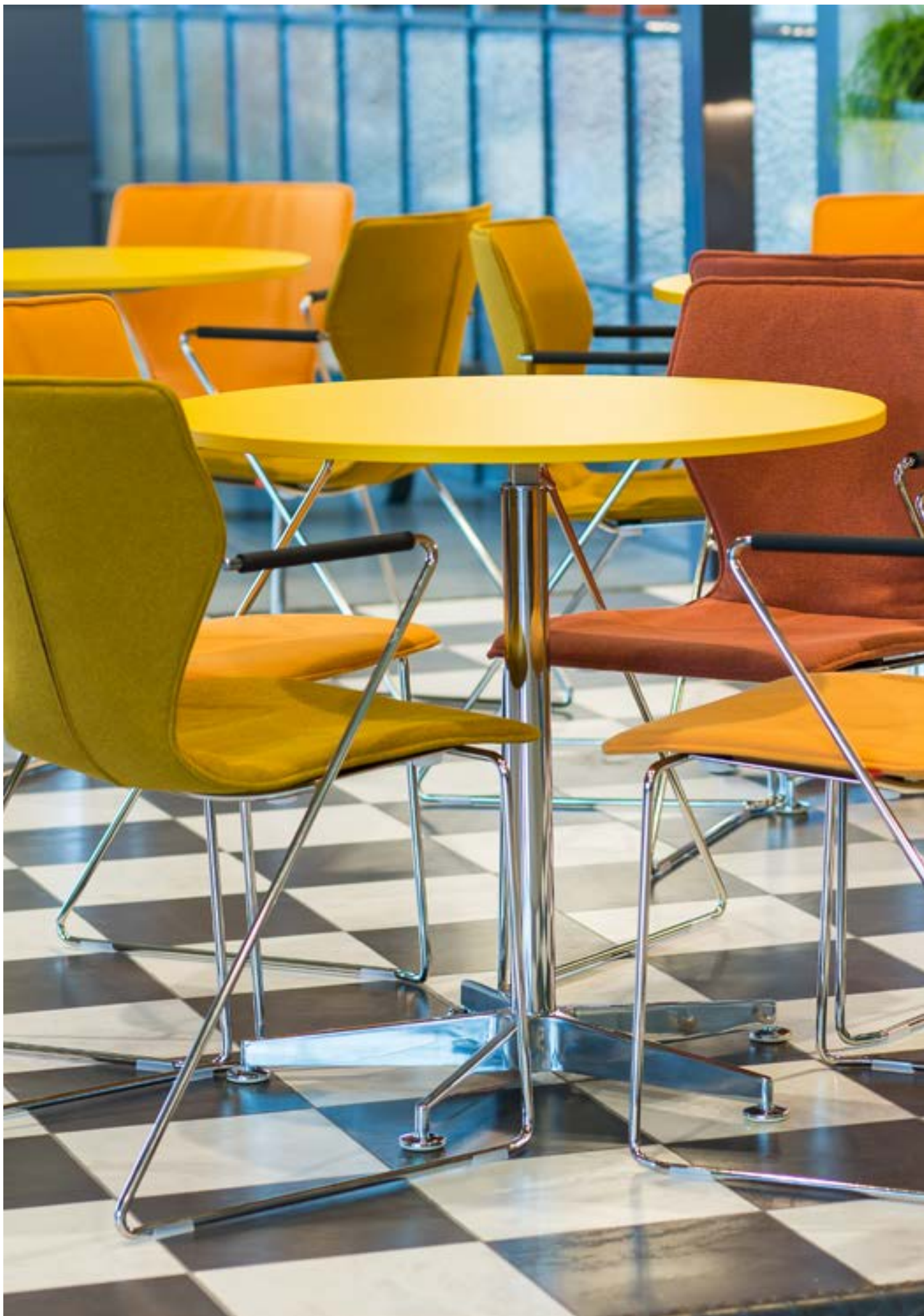












System

adjustable height
design by Drisag

Product description Height adjustable small table.

Materials Height adjustable frame with a round laminated tabletop.

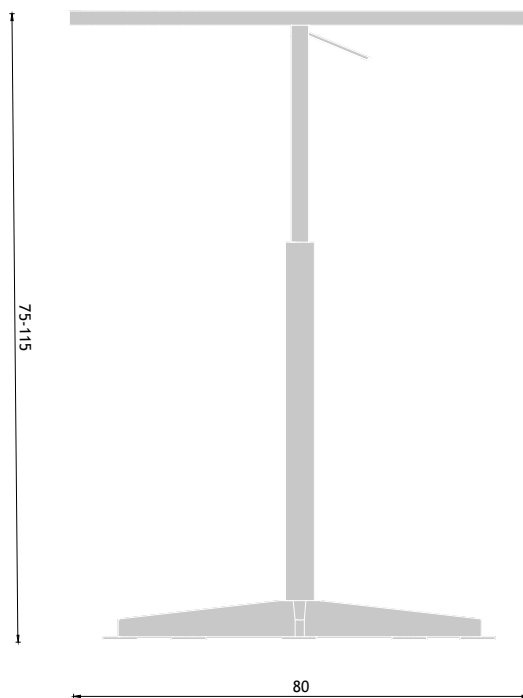
Table tops

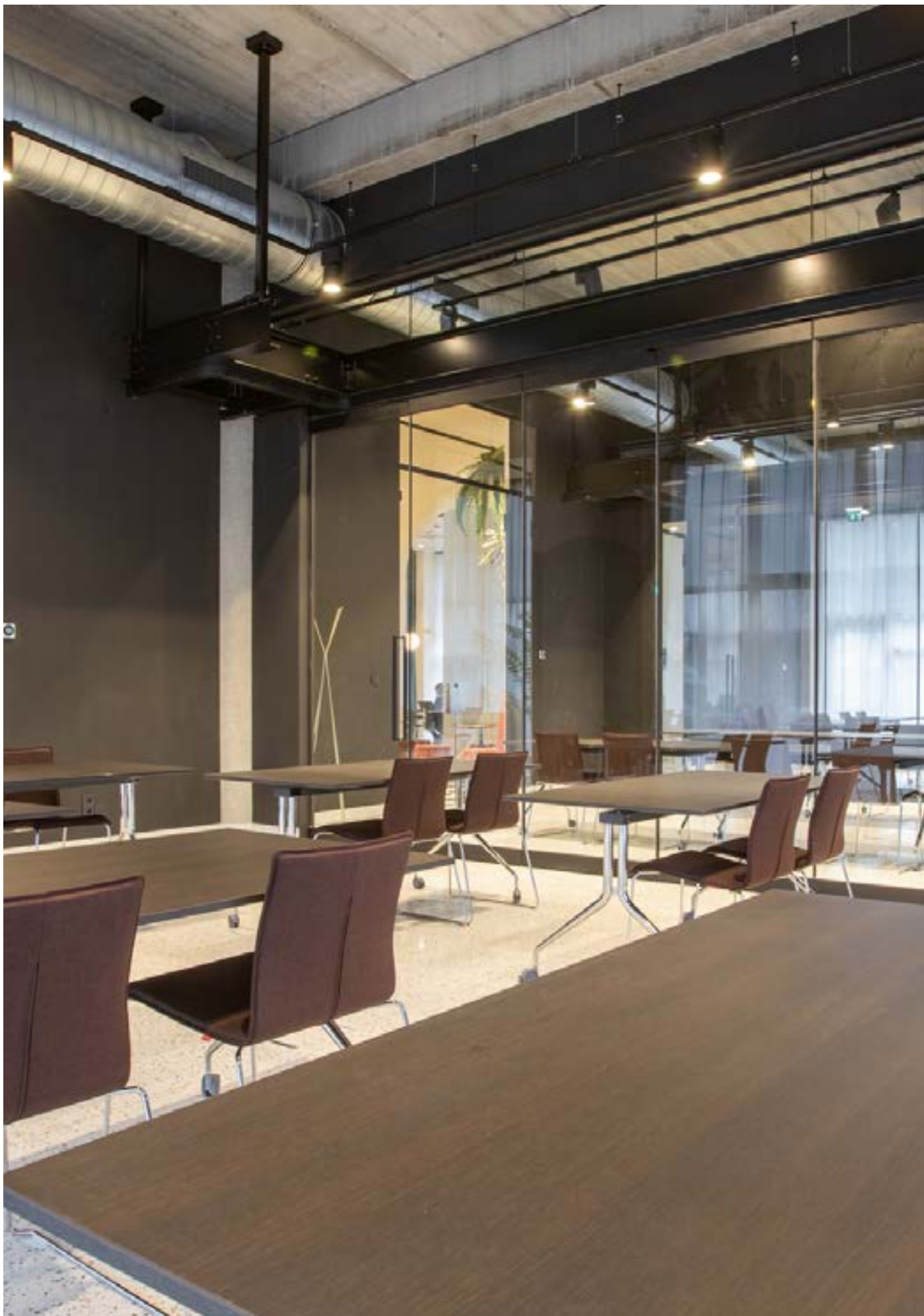


Metal colors



Dimensions





TipTop table

design by Drisag



Product description

Create a large conference table or a small workspace in a second. A user-friendly mechanism underneath the tabletop makes it possible to fold the table when unused and saves a lot of space. It's four wheels make it easy to maneuver.

Colors



W1000 - White



U608 - ST9 Pistachio green



U702 - Cashmere grey



U999 - ST9 Black



U636 - ST9 Fjord green



0720 - Fenix black



U201 - ST9 Pebble grey



H3157 - ST12 Vicenza oak



U767 - ST9 Cubanite grey



H1180 - ST37 Halifax oak

Metal colors



K40 - black RAL9005



K41 - white RAL9010

Options

- Connector

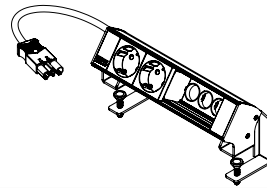


TipTop table

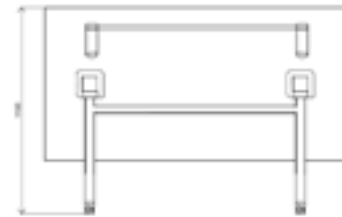


Options

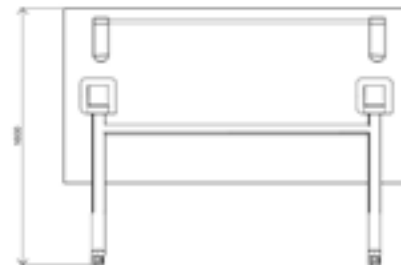
- Electrification: Surface-mounted unit (multiple infill)
- Cable clips



Dimensions
1400x700



1600x800

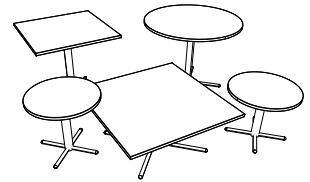






Tubular

design by Drisag



Product description

Less is more. Its refined production process provides a wide range of tables. From side table to bistro table.

Technical information

- Base:
- Table top:

Tabletop colors



W1000 - White



U999 - ST9 Black



U201 - Pebble grey



U767 - Cubanite grey



U608 - Pistachio green



U636 - Fjord green



H3157 - ST12 Vicenza



H1180/ST37 - Halifax oak



U702 - Cashmere grey



Fenix black

Metal colors



K40 - black RAL9005



K41 - white RAL9010



K58 - dark grey RAL7016



K51 - squirrel grey



K53 - grey blue



K57 - pale green



K52 - cement grey



K56 - black green



K50 - rusty brown



K54 - beige red



K55 - coral red

Tubular



Dimensions
Round

- Low H300mm • 600mm
- Low H350mm • 800mm
- Low H400mm: • 1000mm
- 1200mm

- Mid H750mm: • 600mm
- 800mm
- 1000mm
- 1200mm

- High H1100mm: • 800mm



Square

- Low H300mm • 600 x 600mm
- Low H350mm • 800 x 800mm
- Low H400mm: • 1000 x 1000mm
- 1200 x 1200mm

- Mid H750mm: • 600 x 600mm
- 800 x 800mm
- 1000 x 1000mm
- 1200 x 1200mm

- High H1100mm: • 800 x 800mm





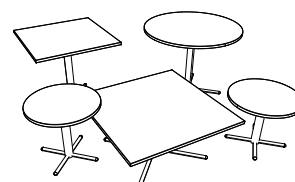
Pictures





Tubular XL

design by Drisag



Product description

The XL version of our Tubular table has a bit more presence than its smaller sibling. A thicker tube construction allows for greater spans without compromising stability. Available in two heights: 75 cm as a standard table and 110 cm as a high standing table. The tall versions come equipped with a practical footrest for added comfort.








Technical information

- **Base:** Table pedestals consist of two identical legs with the tube at the bottom connecting the two. In the case of a standing table, a footrest is added. The ends of the 'toes' are fitted with hemispherical black plastic inserts. The entire base is fitted with adjustable feet.
- **Table top:** Consisting of 25mm melamine. Equipped with a metal supporting structure for extra rigidity (made of metal tube 40x40x1.5mm).

Tabletop colors

	W1000 - White		U608 - Pistachio green		U702 - Cashmere grey
	U999 - ST9 Black		U636 - Fjord green		Fenix black
	U201 - Pebble grey		H3157 - ST12 Vicenza		
	U767 - Cubanite grey		H1180/ST37 - Halifax oak		

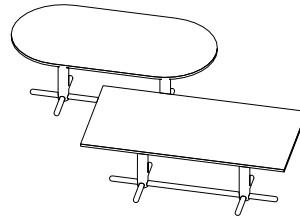
Metal colors

	K40 - black RAL9005		K53 - grey blue		K50 - rusty brown
	K41 - white RAL9010		K57 - pale green		K54 - beige red
	K58 - dark grey RAL7016		K52 - cement grey		K55 - coral red
	K51 - squirrel grey		K56 - black green		

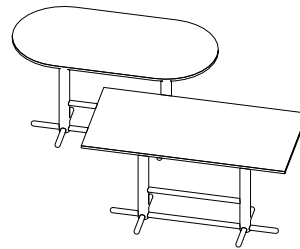


Dimensions
Oval & Rectangular

- Mid H750mm:
- 1600x800mm
 - 2000x800mm
 - 2000x1000mm
 - 2400x1000mm
 - 2400x1200mm
 - 2800x1200mm



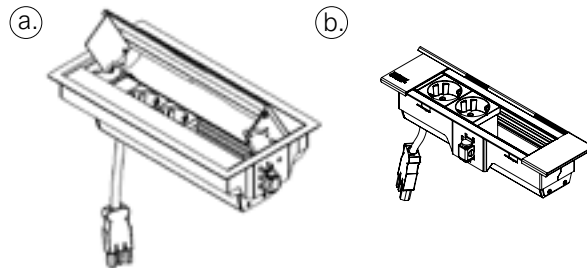
- High H1100mm:
- 1600x800mm
 - 2000x800mm
 - 2000x1000mm
 - 2400x1000mm
 - 2400x1200mm
 - 2800x1200mm



Options

Tubular XL tables can be equipped with electrification. Depending on budget and need, the following options can be chosen:

- Built-in unit, double-sided lid (with or without multiple infill)
- Built-in unit, fixed (multiple infill, with or without cover)



Note: The number of electrification points and placement is already predetermined according to the size of the table. See indication () below. If electrification is chosen, we always provide it in the centre and fit the table top with cable clips at the bottom.*





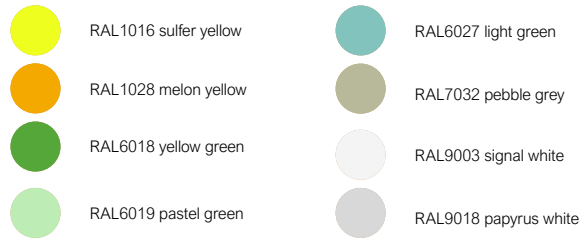
Tweet, Square & Triangle

design by Robert Bronwasser

Product description Small table range.

Materials Powdercoated steel.

**Metal colors
COB & POB**



Dimensions

